

GENERAL NOTES

NOTE:
K.E.C. MUST VERIFY THE EXACT DIMENSION OF THE COOKING EQUIPMENT FROM EITHER THE WALL OR FROM THE FRONT OF THE HOOD, SO CADDY MAY PROPERLY LOCATE THE FIRE PROTECTION NOZZLES AT TIME-OF-FABRICATION IN THE FACTORY. IF EQUIPMENT IS NOT LOCATED AS SHOWN AND THE DRAWING IS APPROVED FOR FABRICATION, THEN NOZZLES MUST BE RELOCATED AT THE EXPENSE OF OTHERS.

CONTRACTOR NOTE:
ALLOW SUFFICIENT ACCESS ON TOP OF VENTILATOR TO SERVICE COMPONENTS AND UTILITIES

MAKE-UP AIR NOTE:
AIR TEMPERATURE SHOULD RANGE FROM 60° TO 65° F, BUT MAY BE AS LOW AS 50° F DEPENDING ON AIR VOLUME, DISTRIBUTION, AND INTERNAL HEAT LOAD

ELECTRICAL NOTES:

- LIGHT FIXTURES, VAPORPROOF, U.L. LISTED, FURNISHED, INSTALLED AND WIRED TO J-BOX (D) BY CADDY. RECONNECTED ON JOBSITE BY ELECTRICAL CONTRACTOR.
- LIGHT SWITCH FOR LIGHT FIXTURE WITH 120 VOLTS A.C. SERVICE BY ELECTRICAL CONTRACTOR.
- UVC LIGHT CONTROL BOX FURNISHED AND INSTALLED BY CADDY. 120V SUPPLY AND INTERLOCK WIRING TO EACH JUNCTION BOX (E) BY ELECTRICAL CONTRACTOR.

- EXHAUST AIR REQUIREMENTS:**
- EXHAUST C.F.M. BASED ON 150 C.F.M. PER LINEAR FOOT.
 - EXHAUST STATIC PRESSURE IS 0.70" W.G. AT DUCT TAKE-OFF COLLAR. TOTAL DUCT STATIC MUST BE ADDED. STATIC BASED ON OPERATION AT MEAN SEA LEVEL.
 - DUCT SIZE BASED ON 1800 F.P.M..

- EXHAUST FAN REQUIREMENTS:**
- TYPE - INDUCED DRAFT, SQUIRREL CAGE, BACKWARD INCLINED BLADES, EXHAUST FAN DISCHARGE SHOULD BE VERTICAL, AWAY FROM AIR INTAKES. FAN FURNISHED BY OTHERS.
 - EXHAUST FAN MUST BE FURNISHED WITH A MAGNETIC STARTER WITH 120 VOLT HOLDING COIL. STARTER FURNISHED BY OTHERS.

- MAKE-UP AIR REQUIREMENTS:**
- AIR EXHAUSTED FROM KITCHEN MUST BE REPLACED - WITH DISTRIBUTION CONTROLLED TO PROVIDE FOR TOTAL KITCHEN VENTILATION AND TO ESTABLISH NECESSARY AIR PATTERNS FOR PROPER PERFORMANCE OF THE VENTILATORS. AIR DISTRIBUTION SYSTEMS SHALL BE IN ACCORDANCE WITH ALL GOVERNING CODES.
 - MAKE-UP AIR MUST BE TEMPERED - HEATED OR COOLED - CONSISTENT WITH THE STYLE OF HOOD, HEAT LOAD, CLIMATIC CONDITIONS AND APPLICABLE CODES.

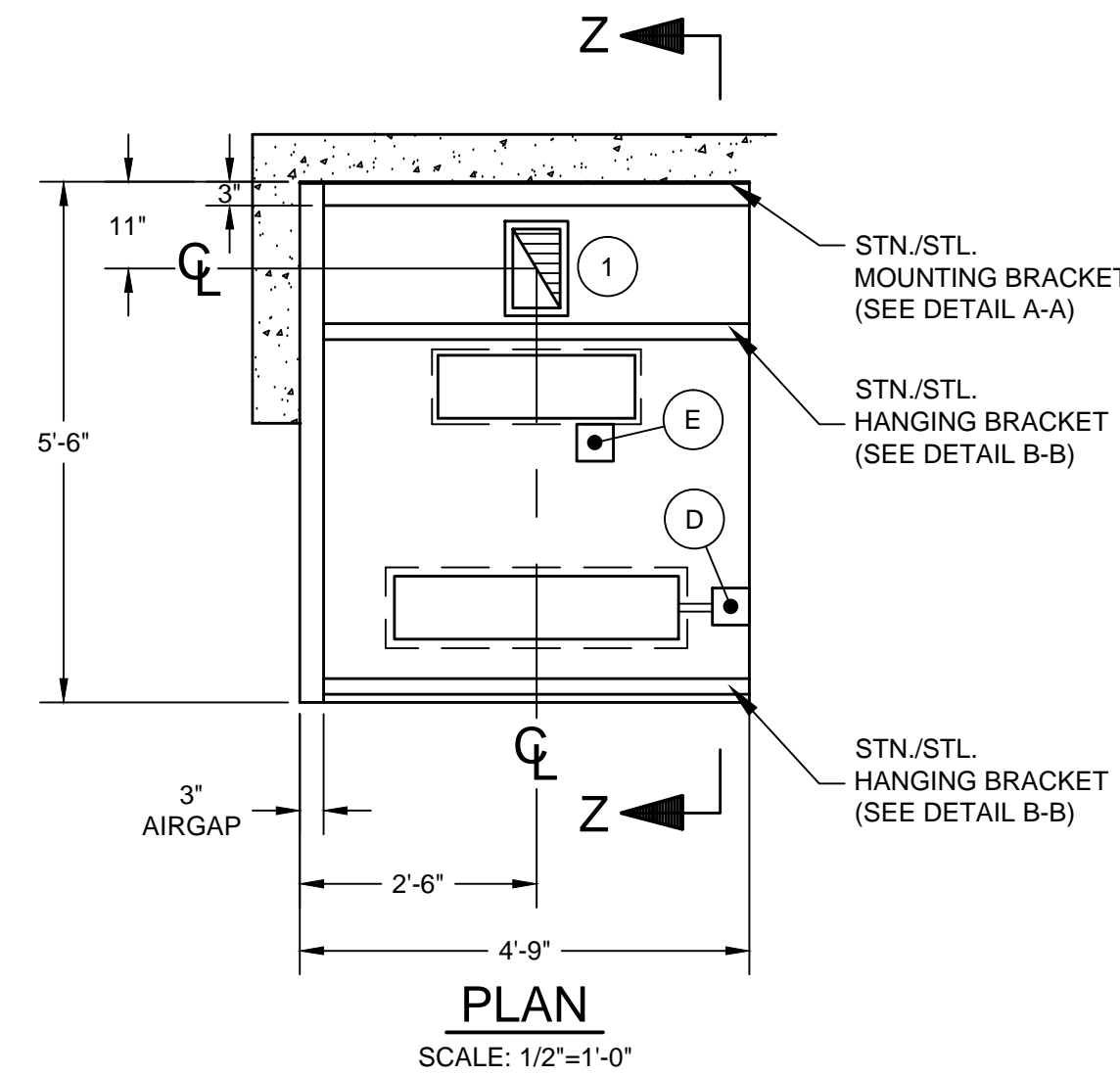
- INSTALLATION:**
- VENTILATORS TO BE INSTALLED IN ACCORDANCE WITH ALL CODES.
- CONTRACTORS MUST REVIEW APPLICABLE CODES WITH CODE AUTHORITIES BEFORE APPROVING DRAWINGS FOR FABRICATION. SPECIAL ATTENTION MUST BE GIVEN TO CODE REGULATIONS RELATIVE TO CLEARANCES FROM SURROUNDING COMBUSTIBLE CONSTRUCTION (WALL, CEILINGS, ETC.).

- ALL DUCTWORK BEYOND VENTILATOR DUCT TAKE-OFF COLLAR TO BE PROVIDED AND INSTALLED BY OTHERS, IN ACCORDANCE WITH JURISDICTIONAL CODES. DUCTS MUST BE MECHANICALLY STRONG, GREASE AND WATER TIGHT.
- MOUNTING RODS FURNISHED AND INSTALLED BY OTHERS.

- CONSTRUCTION:**
- VENTILATORS TO BE MANUFACTURED IN STRICT ACCORDANCE WITH CADDY SPECIFICATIONS.
 - VENTILATORS CONSTRUCTED OF 18 GA. STAINLESS STEEL.

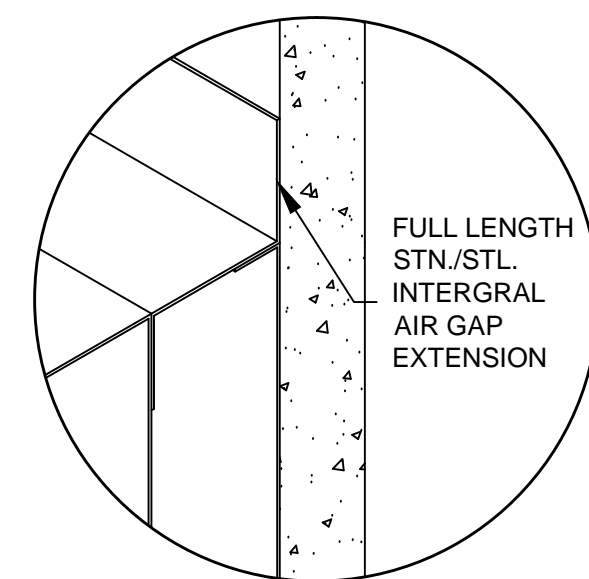
- FIRE PROTECTION:**
- SURFACE FIRE PROTECTION PROVIDED AND INSTALLED BY K.E.C.
 - CAUTION: SURFACE FIRE PROTECTION SYSTEM INSTALLATION MUST BE COORDINATED WITH CADDY TO PREVENT SYSTEMS INTERFERENCE WITH VENTILATOR'S OPERATION/PERFORMANCE. IMPROPER INSTALLATION MAY VOID U.L. LISTINGS OF THE EQUIPMENT.
 - IMPORTANT NOTE: NFPA 96 REQUIRES THAT ALL GAS AND ELECTRIC COOKING EQUIPMENT THAT IS PROTECTED BY A SURFACE FIRE PROTECTION SYSTEM MUST AUTOMATICALLY SHUT OFF UPON ACTIVATION OF THE SYSTEM.

- ELECTRICAL REQUIREMENTS:**
- LIGHT FIXTURE BULBS PROVIDED AND INSTALLED BY OTHERS.

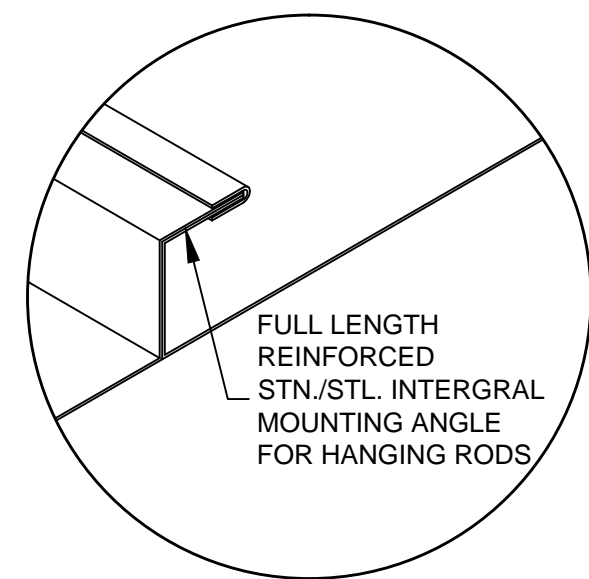


TOTAL EXHAUST : 713 C.F.M.

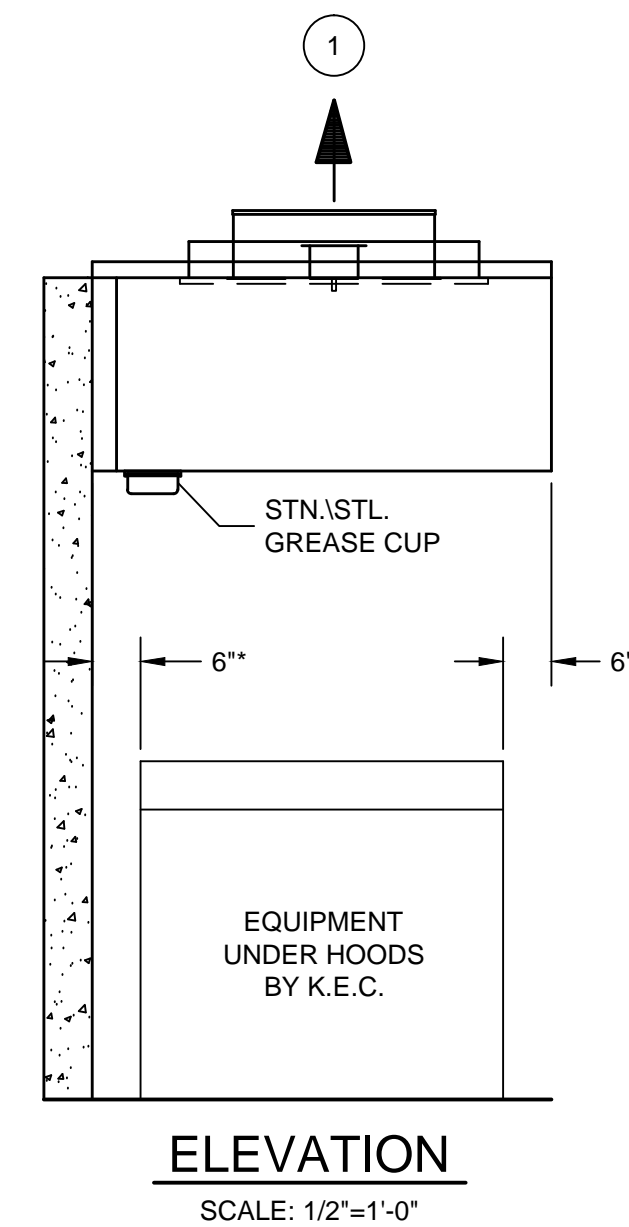
1 10" X 6" EXHAUST DUCT
713 C.F.M. @ 0.70" S.P.



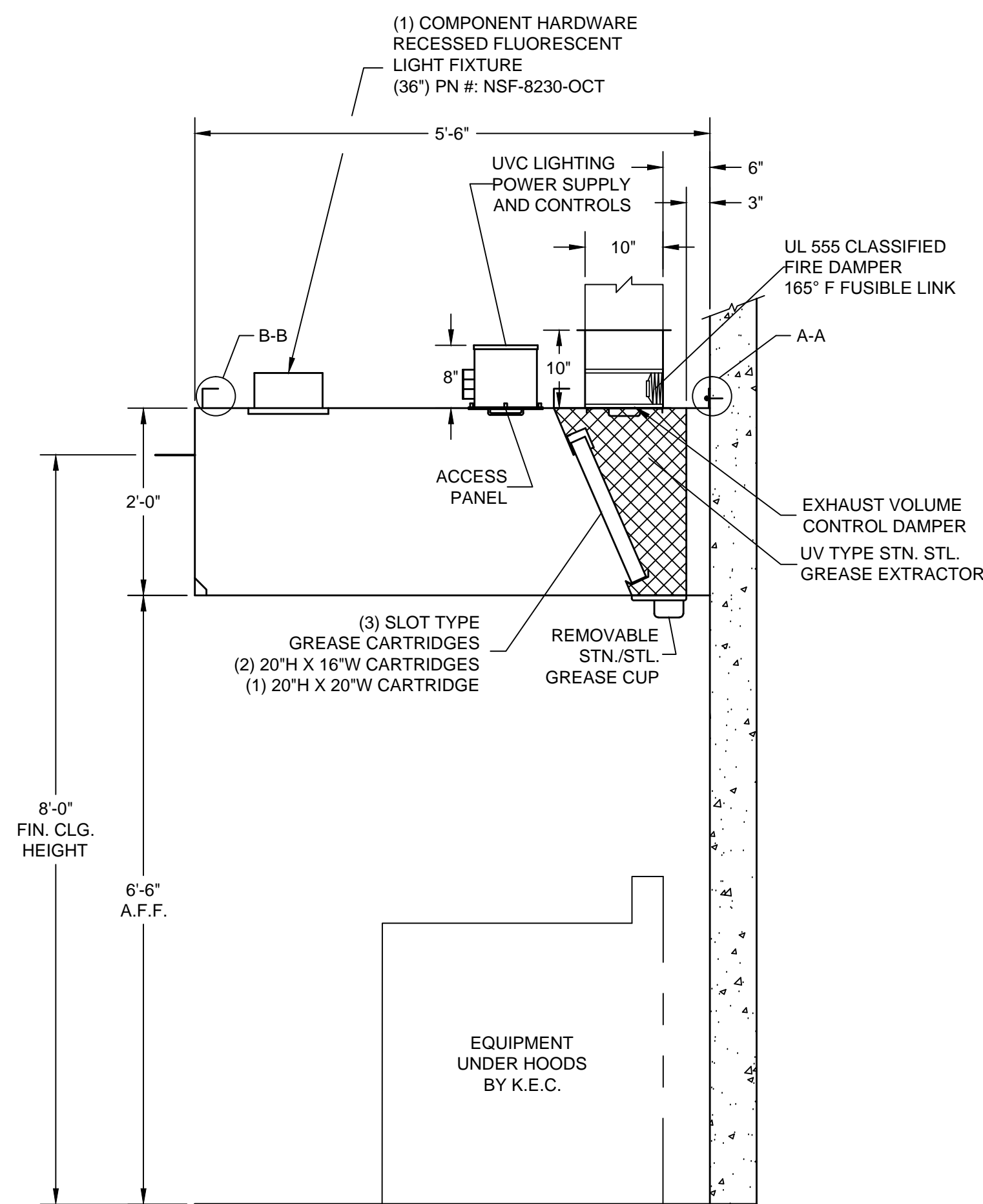
MOUNTING BRACKET DETAIL A-A
SCALE: 1/4"=1"



HANGING BRACKET DETAIL B-B
SCALE: 1/4"=1"



ELEVATION
SCALE: 1/2"=1'-0"



SECTION Z-Z
SCALE: 3/4"=1'-0"

K.E.C. TO VERIFY ALL MAKES AND MODELS OF COOKING EQUIPMENT. REVIEW PLAN FOR PROPER LINE-UP PRIOR TO FABRICATION OF VENTILATORS, AND TO NOTIFY CADDY OF ANY CHANGES.

* - MINIMUM OVERHANG FROM EDGE OF COOKING EQUIPMENT TO END OF HOOD MUST BE 6"

INSTALLATION INFORMATION

ALLOW SUFFICIENT ACCESS TO BRING VENTILATOR INTO KITCHEN AREA. MAXIMUM VENTILATOR DIMENSIONS 4'-9" LONG x 5'-6" WIDE x 34 1/2" HIGH. ESTIMATED TOTAL HANGING WEIGHT: 356 LBS.

VENTILATOR TO BE SHIPPED IN (1) UNIT. ALL PLUMBING AND ELECTRICAL DISCONNECTED FOR SHIPMENT. RECONNECTED IN FIELD BY PLUMBING AND ELECTRICAL CONTRACTORS.

ROUGH-IN SCHEDULE		DESCRIPTION
SYM	QTY	DESCRIPTION
D	1	120V, 60HZ, 1PH, 0.08 K.W. CONNECTED LOAD
E	1	120V, 60HZ, 1PH, 0.72 K.W. CONNECTED LOAD

REVISIONS			
REV	DATE	BY	REMARKS
A	9-24-04	SWL	REVISED PER PHONE CONVERSATION WITH PAUL BERNISKY OF H-MAK ON 09/24/04. REVISED HEIGHT OF THE VENTILATOR FROM 30" TO 24". REVISED VENTILATOR LENGTH OF 4'-6" TO 4'-9" LONG. CENTER LINE OF THE EXHAUST DUCT FROM 2'-4 1/2" TO 2'-6". FINISHED CEILING HEIGHT FROM 9'-0" TO 8'-0". CHANGED THE C.F.M.'S AND EXHAUST DUCT PER VENTILATOR LENGTH CHANGE.
B	9-28-04	SWL	FABRICATED PER APPROVED DRAWING FROM PAUL BERNISKY OF H-MAK ON 09/27/04.
C	10-6-04	SWL	NO CHANGES TO THIS SHEET
D	11-29-04	SWL	NO CHANGES TO THIS SHEET

CADDY AirSystems
509 SHARPTOWN ROAD
P.O. BOX 345 BRIDGEPORT NJ 08014
Tel:(856) 467-4222 Fax:(856) 467-5511

EQUIPMENT SCHEDULE

SH-BCU-66

CADDY NO. 1398 ITEM NO. 12

JOB: UNIVERSITY HOSPITAL OF CLEVELAND
LOC: CLEVELAND, OHIO
CUST:
CUST#:

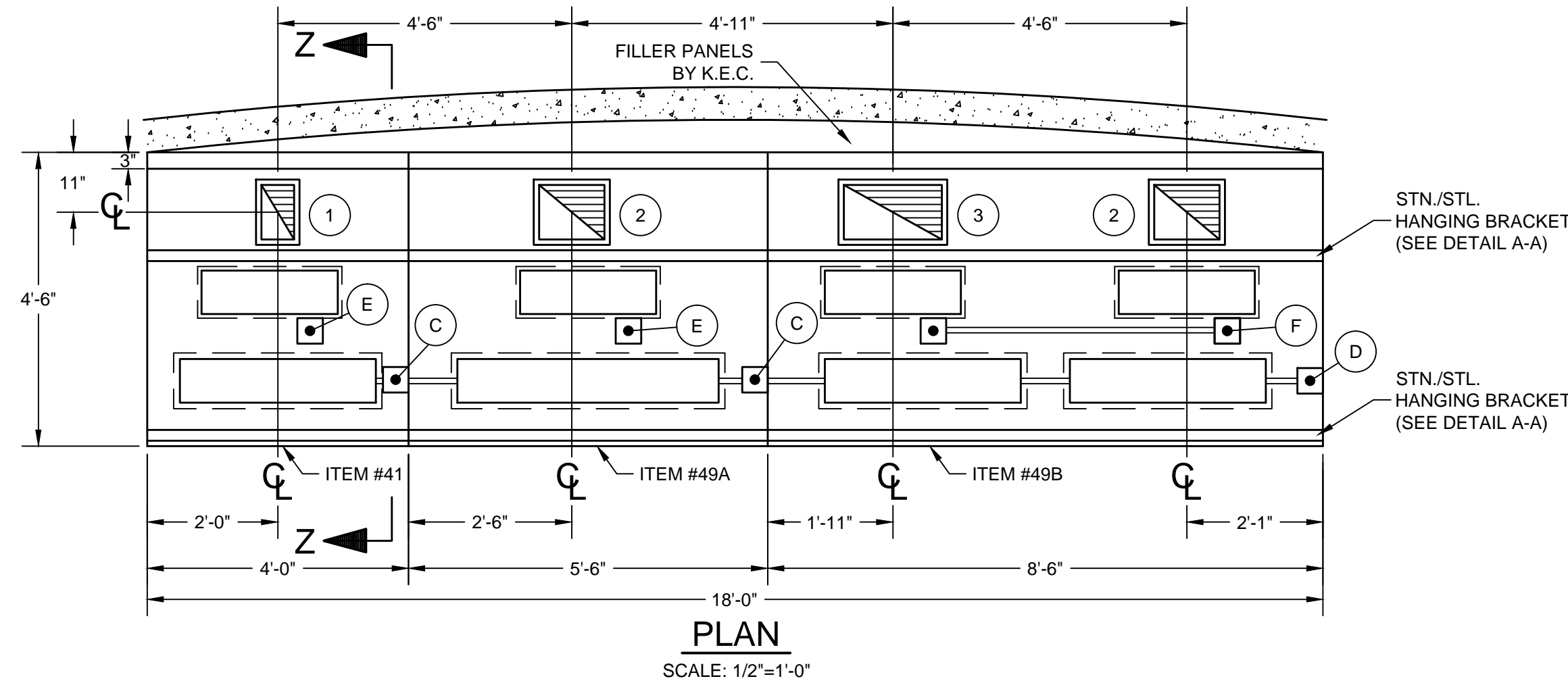
DWG# D-1-1398 SHT 1 OF 7

GENERAL CONTRACT CONDITIONS
ELECTRICAL WORK DONE BY CADDY CORPORATION IS EXECUTED IN COMPLIANCE WITH STANDARDS PUBLISHED BY THE UNDERWRITER'S LABORATORIES, INC. INSOFAR AS APPLICABLE, AND THE LATEST EDITION OF THE NATIONAL ELECTRICAL CODE (NEC), CADDY CORPORATION DOES NOT ACCEPT ANY RESPONSIBILITY FOR THE REQUIREMENTS OF ANY REGIONAL AND/OR LOCAL CODES THAT ADD OR DEVIATED FROM THE ACCEPTED STANDARDS OF THE ABOVE AGENCIES. ANY FIELD WORK RELATING TO THE MODIFICATION OF ELECTRIC OR PLUMBING SYSTEMS, TO MEET REGIONAL OR LOCAL CODE REQUIREMENTS IS TO BE DONE BY OTHERS AND WITHOUT BACK CHARGES TO CADDY CORPORATION, UNLESS THESE CONDITIONS WERE PREVIOUSLY BROUGHT TO OUR ATTENTION AND ARE EXPRESSLY INCLUDED IN OUR WRITTEN QUOTATION.
ALL WIRING AND PLUMBING AT THE JOB SITE IS THE RESPONSIBILITY OF OTHERS. EQUIPMENT WILL BE CONSTRUCTED IN ACCORDANCE WITH OUR DRAWING(S) WHICH MUST BE APPROVED PRIOR TO FABRICATION. ANY SUBSEQUENT CHANGES REQUIRED MUST BE SUBMITTED TO US IN WRITING AND ACKNOWLEDGED ON OUR STANDARD FORM.

NOTE:
K.E.C. MUST VERIFY THE EXACT DIMENSION OF THE COOKING EQUIPMENT FROM EITHER THE WALL OR FROM THE FRONT OF THE HOOD, SO CADDY MAY PROPERLY LOCATE THE FIRE PROTECTION NOZZLES AT TIME-OF-FABRICATION IN THE FACTORY. IF EQUIPMENT IS NOT LOCATED AS SHOWN AND THE DRAWING IS APPROVED FOR FABRICATION, THEN NOZZLES MUST BE RELOCATED AT THE EXPENSE OF OTHERS.

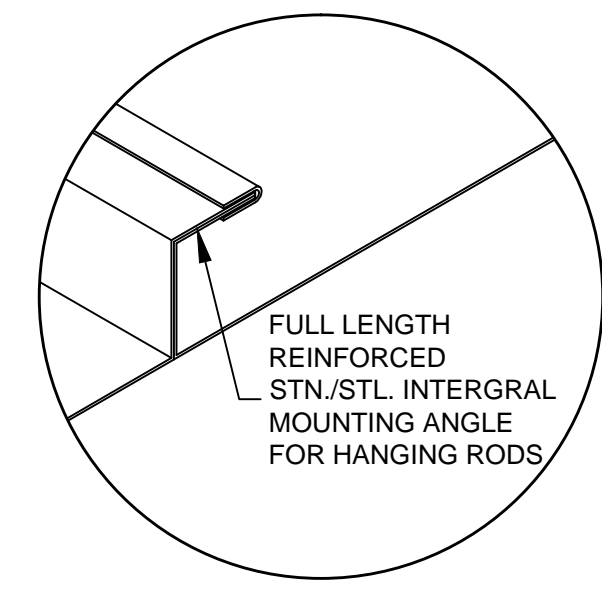
CONTRACTOR NOTE:
ALLOW SUFFICIENT ACCESS ON TOP OF VENTILATOR TO SERVICE COMPONENTS AND UTILITIES

MAKE-UP AIR NOTE:
AIR TEMPERATURE SHOULD RANGE FROM 60° TO 65° F, BUT MAY BE AS LOW AS 50° F DEPENDING ON AIR VOLUME, DISTRIBUTION, AND INTERNAL HEAT LOAD

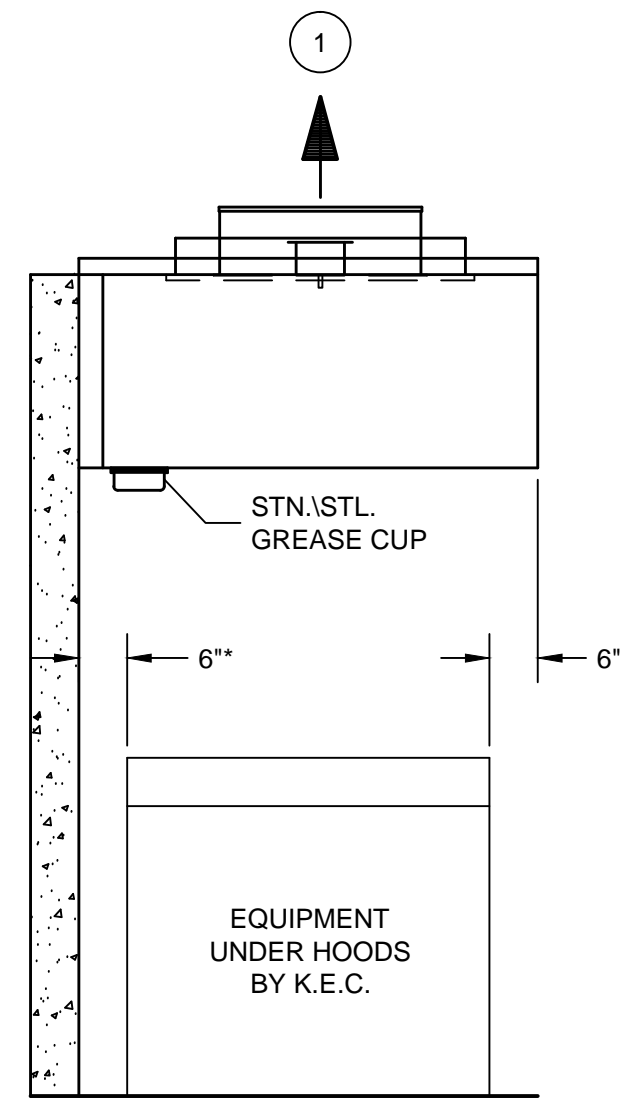


TOTAL EXHAUST : 5,095 C.F.M.

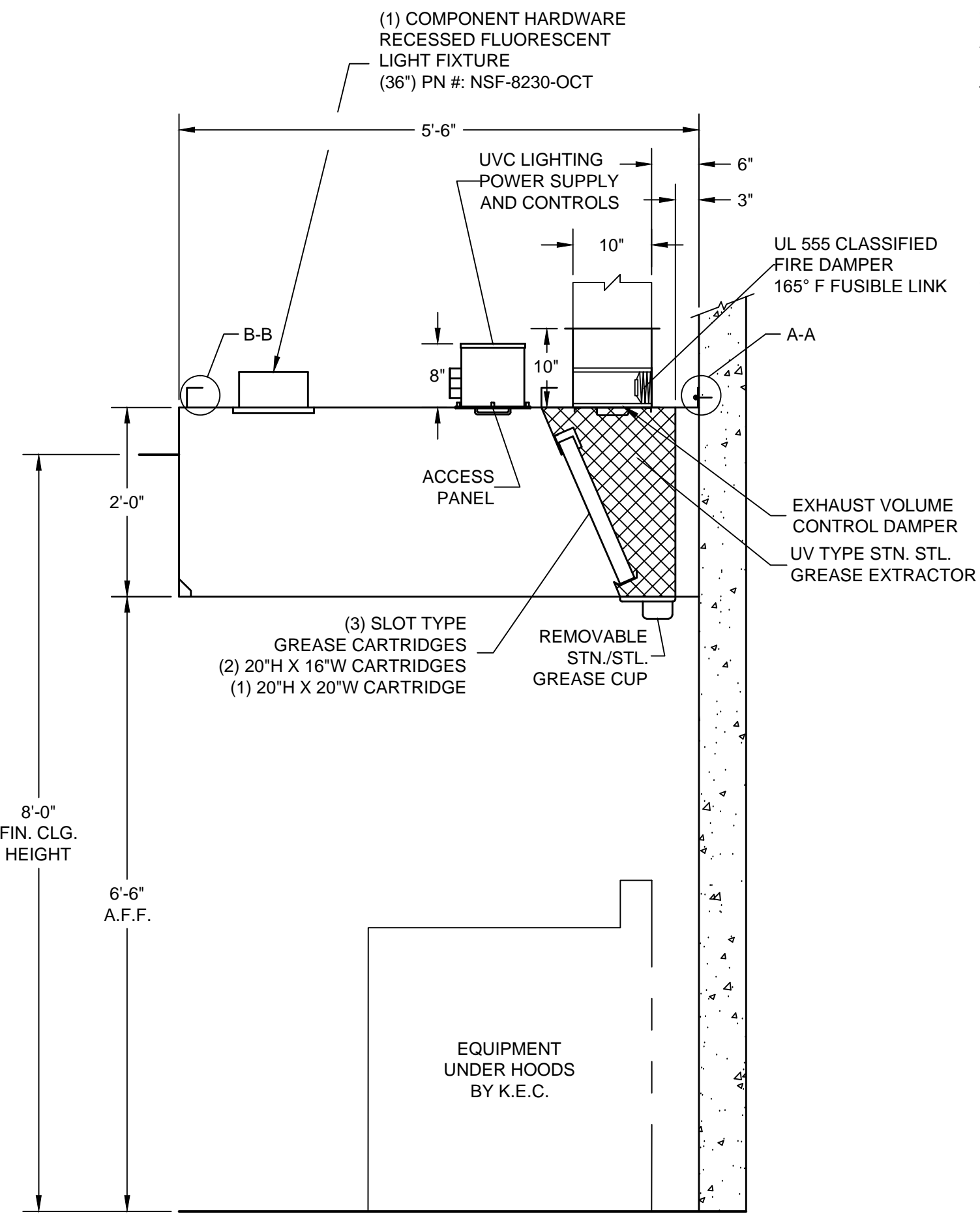
- ① 10" X 6" EXHAUST DUCT
720 C.F.M. @ 1.70" S.P.
- ② 10" X 12" EXHAUST DUCTS
1,225 C.F.M. EACH @ 1.70" S.P.
- ③ 10" X 18" EXHAUST DUCT
1,925 C.F.M. @ 1.70" S.P.



HANGING BRACKET DETAIL B-B
SCALE: 1/4"=1"



ELEVATION
SCALE: 1/2"=1'-0"



SECTION Z-Z
SCALE: 3/4"=1'-0"

ELECTRICAL NOTES:

- LIGHT FIXTURES, VAPORPROOF, U.L. LISTED, FURNISHED, INSTALLED AND WIRED TO J-BOX (D) BY CADDY. DISCONNECTED FOR SHIPPING AT J-BOX (C). RECONNECTED ON JOBSITE BY ELECTRICAL CONTRACTOR.
- LIGHT SWITCH FOR LIGHT FIXTURE WITH 120 VOLTS A.C. SERVICE BY ELECTRICAL CONTRACTOR.
- UVC LIGHT CONTROL BOX FURNISHED AND INSTALLED BY CADDY. 120V SUPPLY AND INTERLOCK WIRING TO EACH JUNCTION BOX (E) & (F) BY ELECTRICAL CONTRACTOR.

GENERAL NOTES

- EXHAUST AIR REQUIREMENTS:**
- EXHAUST C.F.M. BASED ON VARIOUS C.F.M. PER LINEAR FOOT.
 - EXHAUST STATIC PRESSURE IS 1.70" W.G. AT DUCT TAKE-OFF COLLAR. TOTAL DUCT STATIC MUST BE ADDED. STATIC BASED ON OPERATION AT MEAN SEA LEVEL.
 - DUCT SIZE BASED ON 1800 F.P.M..
- EXHAUST FAN REQUIREMENTS:**
- TYPE - INDUCED DRAFT, SQUIRREL CAGE, BACKWARD INCLINED BLADES, EXHAUST FAN DISCHARGE SHOULD BE VERTICAL, AWAY FROM AIR INTAKES. FAN FURNISHED BY OTHERS.
 - EXHAUST FAN MUST BE FURNISHED WITH A MAGNETIC STARTER WITH 120 VOLT HOLDING COIL. STARTER FURNISHED BY OTHERS.
- MAKE-UP AIR REQUIREMENTS:**
- AIR EXHAUSTED FROM KITCHEN MUST BE REPLACED - WITH DISTRIBUTION CONTROLLED TO PROVIDE FOR TOTAL KITCHEN VENTILATION AND TO ESTABLISH NECESSARY AIR PATTERNS FOR PROPER PERFORMANCE OF THE VENTILATORS. AIR DISTRIBUTION SYSTEMS SHALL BE IN ACCORDANCE WITH ALL GOVERNING CODES.
 - MAKE-UP AIR MUST BE TEMPERED - HEATED OR COOLED - CONSISTENT WITH THE STYLE OF HOOD, HEAT LOAD, CLIMATIC CONDITIONS AND APPLICABLE CODES.
- INSTALLATION:**
- VENTILATORS TO BE INSTALLED IN ACCORDANCE WITH ALL CODES.
- CONTRACTORS MUST REVIEW APPLICABLE CODES WITH CODE AUTHORITIES BEFORE APPROVING DRAWINGS FOR FABRICATION. SPECIAL ATTENTION MUST BE GIVEN TO CODE REGULATIONS RELATIVE TO CLEARANCES FROM SURROUNDING COMBUSTIBLE CONSTRUCTION (WALL, CEILINGS, ETC.).**
- ALL DUCTWORK BEYOND VENTILATOR DUCT TAKE-OFF COLLAR TO BE PROVIDED AND INSTALLED BY OTHERS, IN ACCORDANCE WITH JURISDICTIONAL CODES. DUCTS MUST BE MECHANICALLY STRONG, GREASE AND WATER TIGHT.
 - MOUNTING RODS FURNISHED AND INSTALLED BY OTHERS.
- CONSTRUCTION:**
- VENTILATORS TO BE MANUFACTURED IN STRICT ACCORDANCE WITH CADDY SPECIFICATIONS.
 - VENTILATORS CONSTRUCTED OF 18 GA. STAINLESS STEEL.
- FIRE PROTECTION:**
- SURFACE FIRE PROTECTION PROVIDED AND INSTALLED BY K.E.C.
 - CAUTION: SURFACE FIRE PROTECTION SYSTEM INSTALLATION MUST BE COORDINATED WITH CADDY TO PREVENT SYSTEMS INTERFERENCE WITH VENTILATOR'S OPERATION/PERFORMANCE. IMPROPER INSTALLATION MAY VOID U.L. LISTINGS OF THE EQUIPMENT.
 - IMPORTANT NOTE: NFPA 96 REQUIRES THAT ALL GAS AND ELECTRIC COOKING EQUIPMENT THAT IS PROTECTED BY A SURFACE FIRE PROTECTION SYSTEM MUST AUTOMATICALLY SHUT OFF UPON ACTIVATION OF THE SYSTEM.
- ELECTRICAL REQUIREMENTS:**
- LIGHT FIXTURE BULBS PROVIDED AND INSTALLED BY OTHERS.

K.E.C. TO VERIFY ALL MAKES AND MODELS OF COOKING EQUIPMENT. REVIEW PLAN FOR PROPER LINE-UP PRIOR TO FABRICATION OF VENTILATORS, AND TO NOTIFY CADDY OF ANY CHANGES.

* - MINIMUM OVERHANG FROM EDGE OF COOKING EQUIPMENT TO END OF HOOD MUST BE 6"

INSTALLATION INFORMATION

ALLOW SUFFICIENT ACCESS TO BRING VENTILATOR INTO KITCHEN AREA. MAXIMUM VENTILATOR DIMENSIONS 8'-6" LONG x 4'-6" WIDE x 34 1/2" HIGH. ESTIMATED TOTAL HANGING WEIGHT: 1,530 LBS.

VENTILATOR TO BE SHIPPED IN (3) UNITS. ALL PLUMBING AND ELECTRICAL DISCONNECTED FOR SHIPMENT. RECONNECTED IN FIELD BY PLUMBING AND ELECTRICAL CONTRACTORS.

GENERAL CONTRACT CONDITIONS
ELECTRICAL WORK DONE BY CADDY CORPORATION IS EXECUTED IN COMPLIANCE WITH STANDARDS PUBLISHED BY THE UNDERWRITER'S LABORATORIES, INC. INsofar AS APPLICABLE, AND THE LATEST EDITION OF THE NATIONAL ELECTRICAL CODE (NEC). CADDY CORPORATION DOES NOT ACCEPT ANY RESPONSIBILITY FOR THE REQUIREMENTS OF ANY REGIONAL AND/OR LOCAL CODES THAT ADD OR DEVIATED FROM THE ACCEPTED STANDARDS OF THE ABOVE AGENCIES. ANY FIELD WORK RELATING TO THE MODIFICATION OF ELECTRIC OR PLUMBING SYSTEMS, TO MEET REGIONAL OR LOCAL CODE REQUIREMENTS IS TO BE DONE BY OTHERS AND WITHOUT BACK CHARGES TO CADDY CORPORATION, UNLESS THESE CONDITIONS WERE PREVIOUSLY BROUGHT TO OUR ATTENTION AND ARE EXPRESSLY INCLUDED IN OUR WRITTEN QUOTATION.
ALL WIRING AND PLUMBING AT THE JOB SITE IS THE RESPONSIBILITY OF OTHERS. EQUIPMENT WILL BE CONSTRUCTED IN ACCORDANCE WITH OUR DRAWING(S) WHICH MUST BE APPROVED PRIOR TO FABRICATION. ANY SUBSEQUENT CHANGES REQUIRED MUST BE SUBMITTED TO US IN WRITING AND ACKNOWLEDGED ON OUR STANDARD FORM.

SYM	QTY	DESCRIPTION
D	1	120V, 60HZ, 1PH, 0.24 K.W. CONNECTED LOAD
E	2	120V, 60HZ, 1PH, 0.72 K.W. CONNECTED LOAD
F	1	120V, 60HZ, 1PH, 1.44 K.W. CONNECTED LOAD

REVISIONS			
REV	DATE	BY	REMARKS
A	9-24-04	SWL	REVISED PER PHONE CONVERSATION WITH PAUL BERINSKY OF H-MAK ON 08/24/04. REVISED FINISHED CEILING HEIGHT FROM 9'-0" TO 8'-6". REVISED THE HEIGHT OF THE VENTILATORS FROM 34" TO 24".
B	9-28-04	SWL	FABRICATED PER APPROVED DRAWING FROM PAUL BERINSKY OF H-MAK ON 08/27/04. REVISED FINISHED CEILING HEIGHT FROM 8'-6" TO 8'-0".
C	10-6-04	SWL	NO CHANGES TO THIS SHEET
D	11-29-04	SWL	NO CHANGES TO THIS SHEET

CADDY AirSystems
509 SHARPTOWN ROAD
P.O. BOX 345 BRIDGEPORT NJ 08014
Tel:(856) 467-4222 Fax:(856) 467-5511

EQUIPMENT SCHEDULE

SH-BCU-54

CADDY NO. 1398 ITEM NO. 41,49A,49B

JOB: UNIVERSITY HOSPITAL OF CLEVELAND
LOC: CLEVELAND, OHIO
CUST:
CUST#:

DWG# D-1-1398

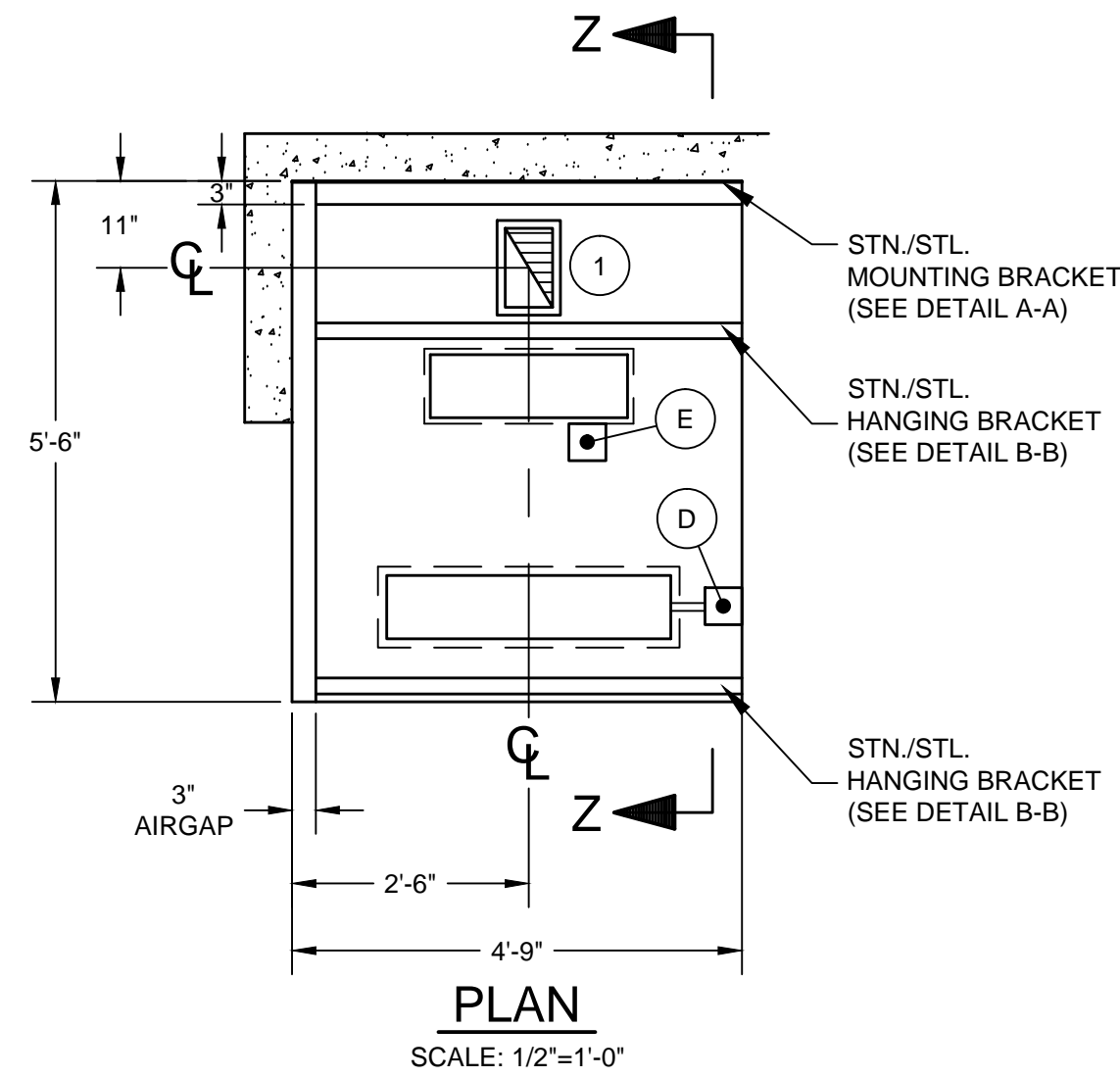
SHT 2 OF 7

GENERAL NOTES

NOTE:
K.E.C. MUST VERIFY THE EXACT DIMENSION OF THE COOKING EQUIPMENT FROM EITHER THE WALL OR FROM THE FRONT OF THE HOOD. SO CADDY MAY PROPERLY LOCATE THE FIRE PROTECTION NOZZLES AT TIME-OF-FABRICATION IN THE FACTORY. IF EQUIPMENT IS NOT LOCATED AS SHOWN AND THE DRAWING IS APPROVED FOR FABRICATION, THEN NOZZLES MUST BE RELOCATED AT THE EXPENSE OF OTHERS.

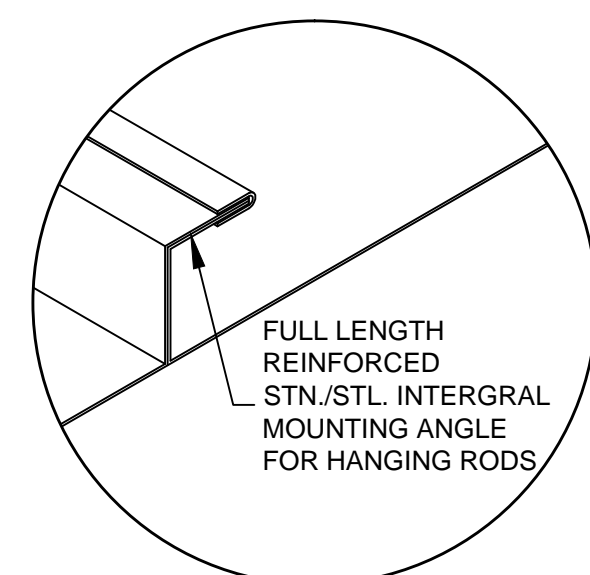
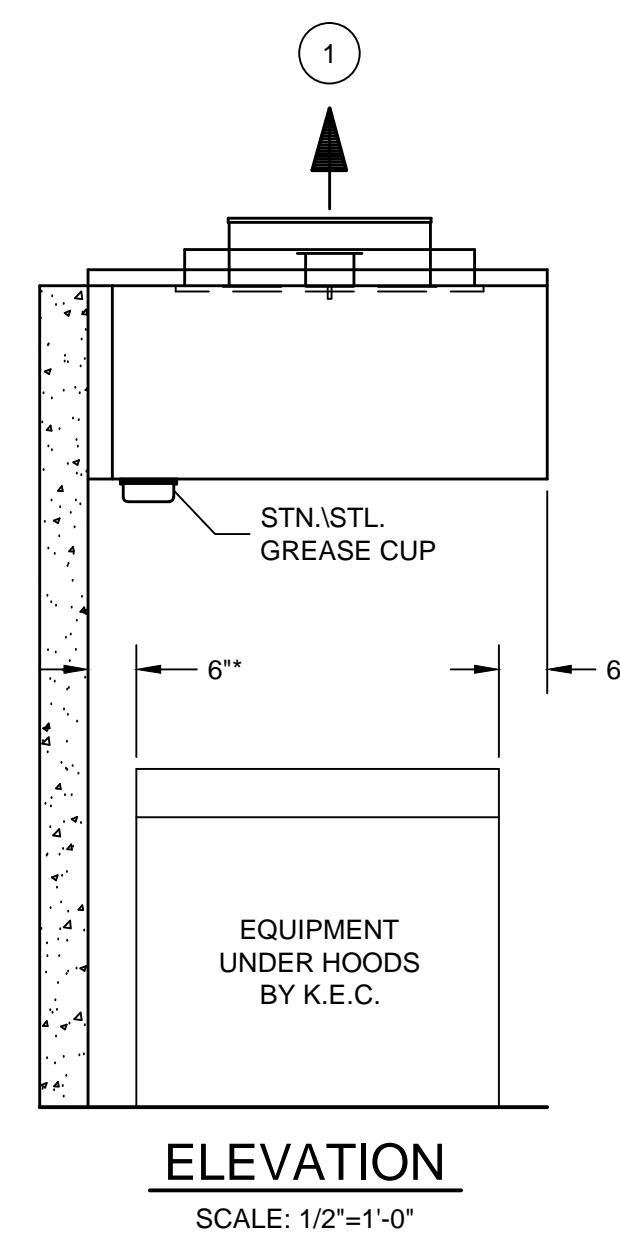
CONTRACTOR NOTE:
ALLOW SUFFICIENT ACCESS ON TOP OF VENTILATOR TO SERVICE COMPONENTS AND UTILITIES

MAKE-UP AIR NOTE:
AIR TEMPERATURE SHOULD RANGE FROM 60° TO 65° F, BUT MAY BE AS LOW AS 50° F DEPENDING ON AIR VOLUME, DISTRIBUTION, AND INTERNAL HEAT LOAD



TOTAL EXHAUST : 1,750 C.F.M.

1 10" X 8" EXHAUST DUCTS
875 C.F.M. EACH @ 1.70" S.P.



HANGING BRACKET DETAIL B-B
SCALE: 1/4"= 1"

K.E.C. TO VERIFY ALL MAKES AND MODELS OF COOKING EQUIPMENT. REVIEW PLAN FOR PROPER LINE-UP PRIOR TO FABRICATION OF VENTILATORS, AND TO NOTIFY CADDY OF ANY CHANGES.

* - MINIMUM OVERHANG FROM EDGE OF COOKING EQUIPMENT TO END OF HOOD MUST BE 6"

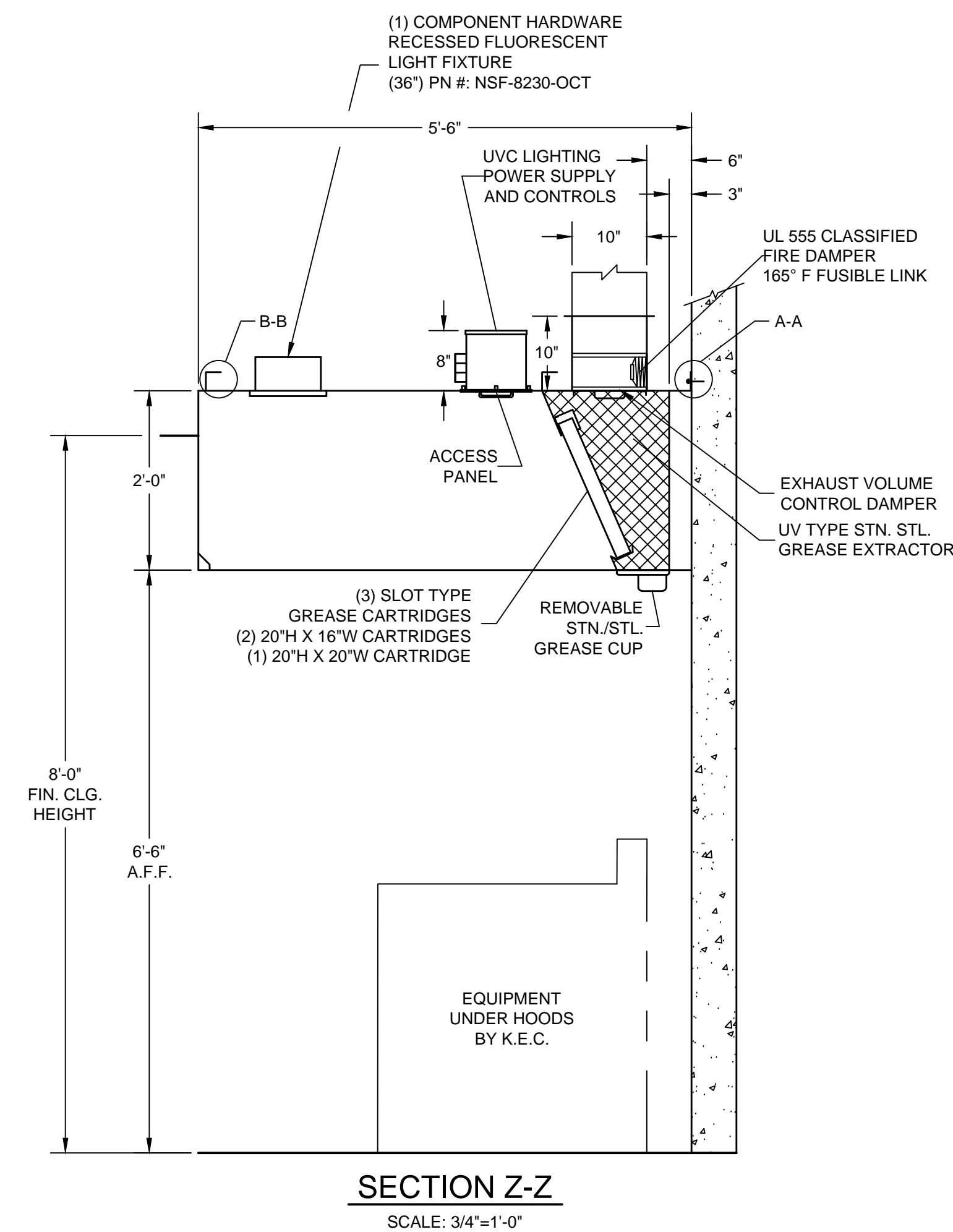
INSTALLATION INFORMATION

ALLOW SUFFICIENT ACCESS TO BRING VENTILATOR INTO KITCHEN AREA. MAXIMUM VENTILATOR DIMENSIONS 8'-0" LONG x 4'-0" WIDE x 34 1/2" HIGH. ESTIMATED TOTAL HANGING WEIGHT: 550 LBS.

VENTILATOR TO BE SHIPPED IN (1) UNIT. ALL PLUMBING AND ELECTRICAL DISCONNECTED FOR SHIPMENT. RECONNECTED IN FIELD BY PLUMBING AND ELECTRICAL CONTRACTORS.

ELECTRICAL NOTES:

1. LIGHT FIXTURES, VAPORPROOF, U.L. LISTED, FURNISHED, INSTALLED AND WIRED TO J-BOX (D) BY CADDY. RECONNECTED ON JOBSITE BY ELECTRICAL CONTRACTOR.
2. LIGHT SWITCH FOR LIGHT FIXTURE WITH 120 VOLTS A.C. SERVICE BY ELECTRICAL CONTRACTOR.
3. UVC LIGHT CONTROL BOX FURNISHED AND INSTALLED BY CADDY. 120V SUPPLY AND INTERLOCK WIRING TO EACH JUNCTION BOX (E) BY ELECTRICAL CONTRACTOR.



- EXHAUST AIR REQUIREMENTS:**
1. EXHAUST C.F.M. BASED ON 219 C.F.M. PER LINEAR FOOT.
 2. EXHAUST STATIC PRESSURE IS 1.70" W.G. AT DUCT TAKE-OFF COLLAR. TOTAL DUCT STATIC MUST BE ADDED. STATIC BASED ON OPERATION AT MEAN SEA LEVEL.
 3. DUCT SIZE BASED ON 1800 F.P.M..
- EXHAUST FAN REQUIREMENTS:**
1. TYPE - INDUCED DRAFT, SQUIRREL CAGE, BACKWARD INCLINED BLADES, EXHAUST FAN DISCHARGE SHOULD BE VERTICAL, AWAY FROM AIR INTAKES. FAN FURNISHED BY OTHERS.
 2. EXHAUST FAN MUST BE FURNISHED WITH A MAGNETIC STARTER WITH 120 VOLT HOLDING COIL. STARTER FURNISHED BY OTHERS.
- MAKE-UP AIR REQUIREMENTS:**
1. AIR EXHAUSTED FROM KITCHEN MUST BE REPLACED - WITH DISTRIBUTION CONTROLLED TO PROVIDE FOR TOTAL KITCHEN VENTILATION AND TO ESTABLISH NECESSARY AIR PATTERNS FOR PROPER PERFORMANCE OF THE VENTILATORS. AIR DISTRIBUTION SYSTEMS SHALL BE IN ACCORDANCE WITH ALL GOVERNING CODES.
 1. MAKE-UP AIR MUST BE TEMPERED - HEATED OR COOLED - CONSISTENT WITH THE STYLE OF HOOD, HEAT LOAD, CLIMATIC CONDITIONS AND APPLICABLE CODES.

INSTALLATION:

1. VENTILATORS TO BE INSTALLED IN ACCORDANCE WITH ALL CODES.

CONTRACTORS MUST REVIEW APPLICABLE CODES WITH CODE AUTHORITIES BEFORE APPROVING DRAWINGS FOR FABRICATION. SPECIAL ATTENTION MUST BE GIVEN TO CODE REGULATIONS RELATIVE TO CLEARANCES FROM SURROUNDING COMBUSTIBLE CONSTRUCTION (WALL, CEILINGS, ETC.).

1. ALL DUCTWORK BEYOND VENTILATOR DUCT TAKE-OFF COLLAR TO BE PROVIDED AND INSTALLED BY OTHERS, IN ACCORDANCE WITH JURISDICTIONAL CODES. DUCTS MUST BE MECHANICALLY STRONG, GREASE AND WATER TIGHT.
2. MOUNTING RODS FURNISHED AND INSTALLED BY OTHERS.

CONSTRUCTION:

1. VENTILATORS TO BE MANUFACTURED IN STRICT ACCORDANCE WITH CADDY SPECIFICATIONS.
2. VENTILATORS CONSTRUCTED OF 18 GA. STAINLESS STEEL.

FIRE PROTECTION:

1. SURFACE FIRE PROTECTION PROVIDED AND INSTALLED BY K.E.C.
2. CAUTION: SURFACE FIRE PROTECTION SYSTEM INSTALLATION MUST BE COORDINATED WITH CADDY TO PREVENT SYSTEMS INTERFERENCE WITH VENTILATOR'S OPERATION/PERFORMANCE. IMPROPER INSTALLATION MAY VOID U.L. LISTINGS OF THE EQUIPMENT.
3. IMPORTANT NOTE: NFPA 96 REQUIRES THAT ALL GAS AND ELECTRIC COOKING EQUIPMENT THAT IS PROTECTED BY A SURFACE FIRE PROTECTION SYSTEM MUST AUTOMATICALLY SHUT OFF UPON ACTIVATION OF THE SYSTEM.

ELECTRICAL REQUIREMENTS:

1. LIGHT FIXTURE BULBS PROVIDED AND INSTALLED BY OTHERS.

ROUGH-IN SCHEDULE		DESCRIPTION
SYM	QTY	DESCRIPTION
D	1	120V, 60HZ, 1PH, 0.16 K.W. CONNECTED LOAD
E	1	120V, 60HZ, 1PH, 1.44 K.W. CONNECTED LOAD

REVISIONS			
REV	DATE	BY	REMARKS
A	9-24-04	SWL	REVISED PER PHONE CONVERSATION WITH PAUL BERINSKY OF H-MAK ON 09/24/04. REVISED THE VENTILATOR'S HEIGHT FROM 30" TO 24". REVISED THE FINISHED CEILING HEIGHT FROM 9'-0" TO 8'-6".
B	9-28-04	SWL	FABRICATED PER APPROVED DRAWING FROM PAUL BERINSKY OF H-MAK ON 09/27/04. REVISED FINISHED CEILING HEIGHT FROM 8'-6" TO 8'-0".
C	10-8-04	SWL	NO CHANGES TO THIS SHEET
D	11-29-04	SWL	NO CHANGES TO THIS SHEET

CADDY AirSystems
509 SHARPTOWN ROAD
P.O. BOX 345 BRIDGEPORT NJ 08014
Tel:(856) 467-4222 Fax:(856) 467-5511

EQUIPMENT SCHEDULE

SH-BCU-48

CADDY NO. 1398 ITEM NO. 59

JOB: UNIVERSITY HOSPITAL OF CLEVELAND
LOC: CLEVELAND, OHIO
CUST:
CUST#:

DWG# D-1-1398 SHT 3 OF 7

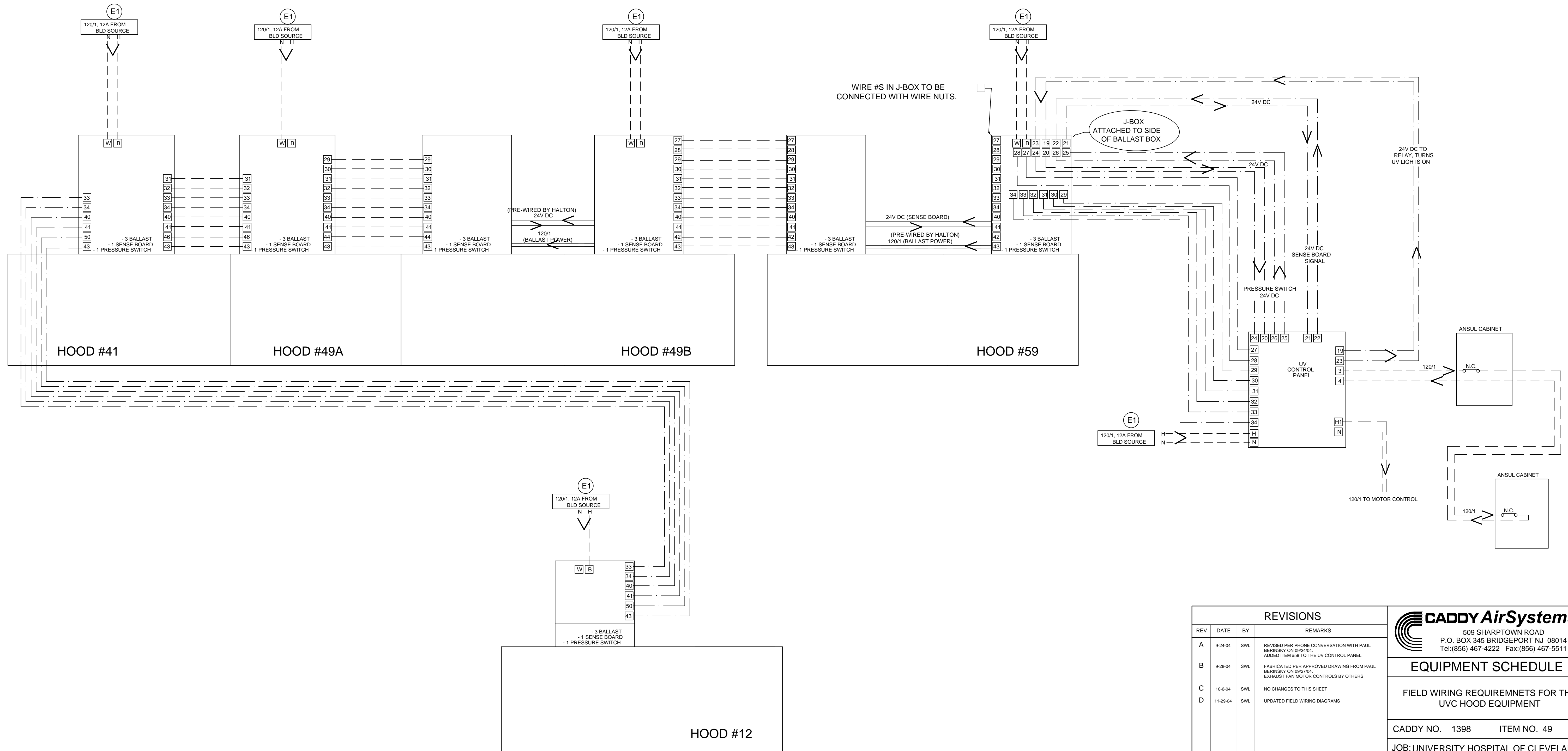
GENERAL CONTRACT CONDITIONS
ELECTRICAL WORK DONE BY CADDY CORPORATION IS EXECUTED IN COMPLIANCE WITH STANDARDS PUBLISHED BY THE UNDERWRITER'S LABORATORIES, INC. INSOFAR AS APPLICABLE, AND THE LATEST EDITION OF THE NATIONAL ELECTRICAL CODE (NEC). CADDY CORPORATION DOES NOT ACCEPT ANY RESPONSIBILITY FOR THE REQUIREMENTS OF ANY REGIONAL AND/OR LOCAL CODES THAT ADD OR DEVIATED FROM THE ACCEPTED STANDARDS OF THE ABOVE AGENCIES. ANY FIELD WORK RELATING TO THE MODIFICATION OF ELECTRIC OR PLUMBING SYSTEMS, TO MEET REGIONAL OR LOCAL CODE REQUIREMENTS IS TO BE DONE BY OTHERS AND WITHOUT BACK CHARGES TO CADDY CORPORATION, UNLESS THESE CONDITIONS WERE PREVIOUSLY BROUGHT TO OUR ATTENTION AND ARE EXPRESSLY INCLUDED IN OUR WRITTEN QUOTATION.
ALL WIRING AND PLUMBING AT THE JOB SITE IS THE RESPONSIBILITY OF OTHERS. EQUIPMENT WILL BE CONSTRUCTED IN ACCORDANCE WITH OUR DRAWING(S) WHICH MUST BE APPROVED PRIOR TO FABRICATION. ANY SUBSEQUENT CHANGES REQUIRED MUST BE SUBMITTED TO US IN WRITING AND ACKNOWLEDGED ON OUR STANDARD FORM.

UV PANEL FOR VENTILATORS (5) HOODS, (7) UV CASSETTES

E1- 120V, 12A SERVICE FROM BUILDING SOURCE

ALL WIRING BY E.C.

UV CONTROL PANEL MOUNTED ON WALL



REVISIONS			
REV	DATE	BY	REMARKS
A	9-24-04	SWL	REVISED PER PHONE CONVERSATION WITH PAUL BERINSKY ON 09/24/04 ADDED ITEM #59 TO THE UV CONTROL PANEL
B	9-28-04	SWL	FABRICATED PER APPROVED DRAWING FROM PAUL BERINSKY ON 09/27/04 EXHAUST FAN MOTOR CONTROLS BY OTHERS
C	10-6-04	SWL	NO CHANGES TO THIS SHEET
D	11-29-04	SWL	UPDATED FIELD WIRING DIAGRAMS

CADDY AirSystems
509 SHARPTOWN ROAD
P.O. BOX 345 BRIDGEPORT NJ 08014
Tel:(856) 467-4222 Fax:(856) 467-5511

EQUIPMENT SCHEDULE

FIELD WIRING REQUIREMENTS FOR THE
UVC HOOD EQUIPMENT

CADDY NO. 1398 ITEM NO. 49

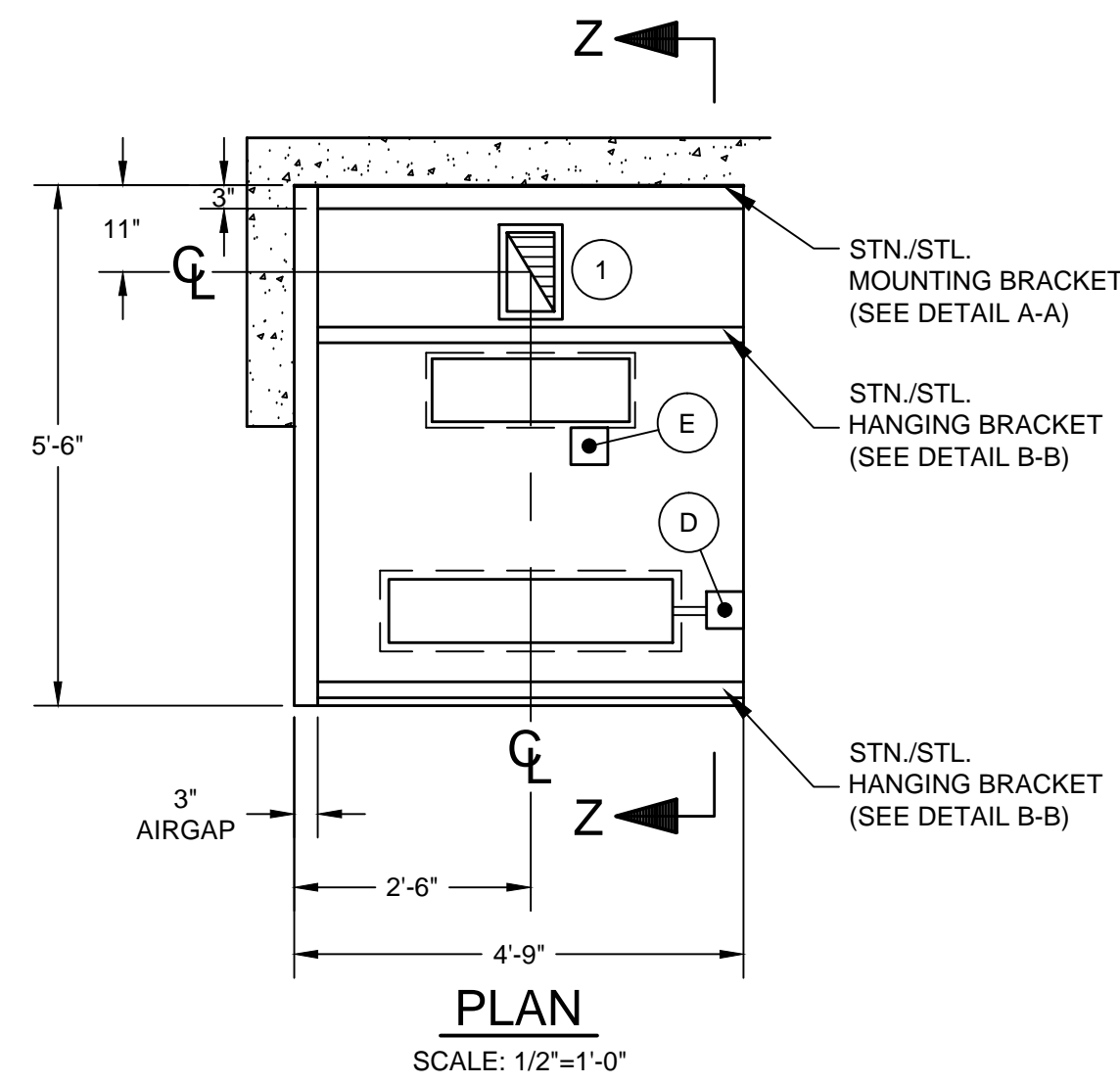
JOB: UNIVERSITY HOSPITAL OF CLEVELAND
LOC: CLEVELAND, OH
CUST:
CUST#:

GENERAL NOTES

NOTE:
K.E.C. MUST VERIFY THE EXACT DIMENSION OF THE COOKING EQUIPMENT FROM EITHER THE WALL OR FROM THE FRONT OF THE HOOD, SO CADDY MAY PROPERLY LOCATE THE FIRE PROTECTION NOZZLES AT TIME-OF-FABRICATION IN THE FACTORY. IF EQUIPMENT IS NOT LOCATED AS SHOWN AND THE DRAWING IS APPROVED FOR FABRICATION, THEN NOZZLES MUST BE RELOCATED AT THE EXPENSE OF OTHERS.

CONTRACTOR NOTE:
ALLOW SUFFICIENT ACCESS ON TOP OF VENTILATOR TO SERVICE COMPONENTS AND UTILITIES

MAKE-UP AIR NOTE:
AIR TEMPERATURE SHOULD RANGE FROM 60° TO 65° F, BUT MAY BE AS LOW AS 50° F DEPENDING ON AIR VOLUME, DISTRIBUTION, AND INTERNAL HEAT LOAD



TOTAL EXHAUST : 1,000 C.F.M.
1 10" X 10" EXHAUST DUCT
1,000 C.F.M. @ 0.85" S.P.

ELECTRICAL NOTES:

1. LIGHT FIXTURES, VAPORPROOF, U.L. LISTED, FURNISHED, INSTALLED AND WIRED TO J-BOX (D) BY CADDY. RECONNECTED ON JOBSITE BY ELECTRICAL CONTRACTOR.
2. LIGHT SWITCH FOR LIGHT FIXTURE WITH 120 VOLTS A.C. SERVICE BY ELECTRICAL CONTRACTOR.
3. UVC LIGHT CONTROL BOX FURNISHED AND INSTALLED BY CADDY. 120V SUPPLY AND INTERLOCK WIRING TO EACH JUNCTION BOX (E) BY ELECTRICAL CONTRACTOR.

- EXHAUST AIR REQUIREMENTS:**
1. EXHAUST C.F.M. BASED ON 200 C.F.M. PER LINEAR FOOT.
 2. EXHAUST STATIC PRESSURE IS 0.85" W.G. AT DUCT TAKE-OFF COLLAR. TOTAL DUCT STATIC MUST BE ADDED. STATIC BASED ON OPERATION AT MEAN SEA LEVEL.
 3. DUCT SIZE BASED ON 1800 F.P.M..
- EXHAUST FAN REQUIREMENTS:**
1. TYPE - INDUCED DRAFT, SQUIRREL CAGE, BACKWARD INCLINED BLADES, EXHAUST FAN DISCHARGE SHOULD BE VERTICAL, AWAY FROM AIR INTAKES. FAN FURNISHED BY OTHERS.
 2. EXHAUST FAN MUST BE FURNISHED WITH A MAGNETIC STARTER WITH 120 VOLT HOLDING COIL. STARTER FURNISHED BY OTHERS.

- MAKE-UP AIR REQUIREMENTS:**
1. AIR EXHAUSTED FROM KITCHEN MUST BE REPLACED - WITH DISTRIBUTION CONTROLLED TO PROVIDE FOR TOTAL KITCHEN VENTILATION AND TO ESTABLISH NECESSARY AIR PATTERNS FOR PROPER PERFORMANCE OF THE VENTILATORS. AIR DISTRIBUTION SYSTEMS SHALL BE IN ACCORDANCE WITH ALL GOVERNING CODES.
 1. MAKE-UP AIR MUST BE TEMPERED - HEATED OR COOLED - CONSISTENT WITH THE STYLE OF HOOD, HEAT LOAD, CLIMATIC CONDITIONS AND APPLICABLE CODES.

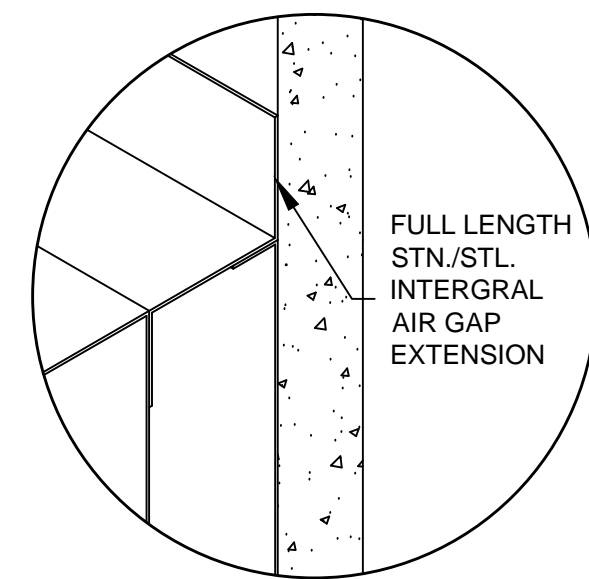
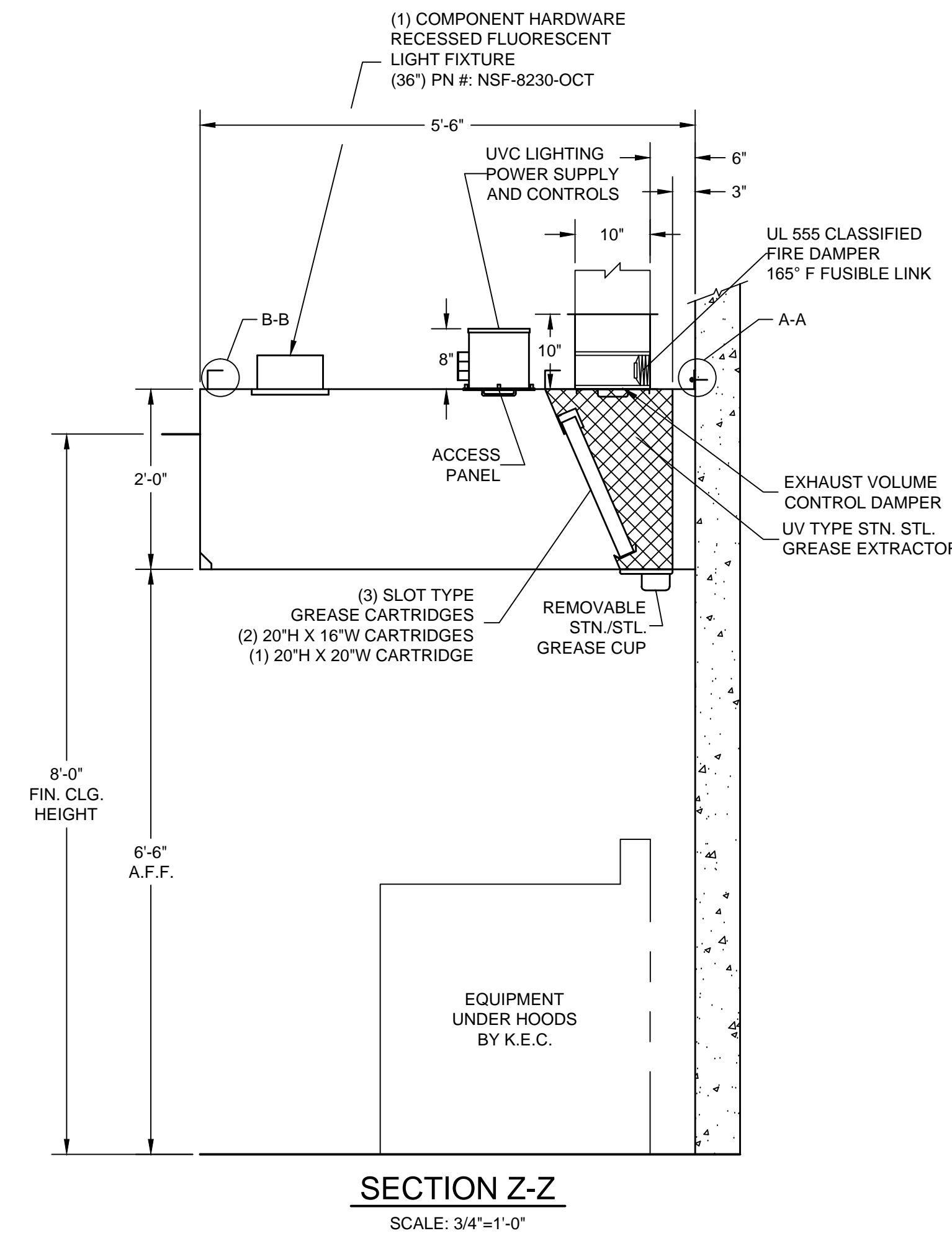
- INSTALLATION:**
1. VENTILATORS TO BE INSTALLED IN ACCORDANCE WITH ALL CODES.
- CONTRACTORS MUST REVIEW APPLICABLE CODES WITH CODE AUTHORITIES BEFORE APPROVING DRAWINGS FOR FABRICATION. SPECIAL ATTENTION MUST BE GIVEN TO CODE REGULATIONS RELATIVE TO CLEARANCES FROM SURROUNDING COMBUSTIBLE CONSTRUCTION (WALL, CEILINGS, ETC.).**

1. ALL DUCTWORK BEYOND VENTILATOR DUCT TAKE-OFF COLLAR TO BE PROVIDED AND INSTALLED BY OTHERS, IN ACCORDANCE WITH JURISDICTIONAL CODES. DUCTS MUST BE MECHANICALLY STRONG, GREASE AND WATER TIGHT.
2. MOUNTING RODS FURNISHED AND INSTALLED BY OTHERS.

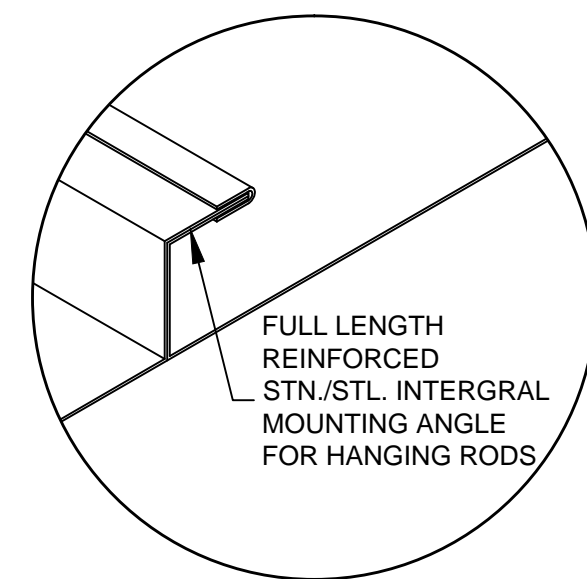
- CONSTRUCTION:**
1. VENTILATORS TO BE MANUFACTURED IN STRICT ACCORDANCE WITH CADDY SPECIFICATIONS.
 2. VENTILATORS CONSTRUCTED OF 18 GA. STAINLESS STEEL.

- FIRE PROTECTION:**
1. SURFACE FIRE PROTECTION PROVIDED AND INSTALLED BY K.E.C.
 2. CAUTION: SURFACE FIRE PROTECTION SYSTEM INSTALLATION MUST BE COORDINATED WITH CADDY TO PREVENT SYSTEMS INTERFERENCE WITH VENTILATOR'S OPERATION/PERFORMANCE. IMPROPER INSTALLATION MAY VOID U.L. LISTINGS OF THE EQUIPMENT.
 3. IMPORTANT NOTE: NFPA 96 REQUIRES THAT ALL GAS AND ELECTRIC COOKING EQUIPMENT THAT IS PROTECTED BY A SURFACE FIRE PROTECTION SYSTEM MUST AUTOMATICALLY SHUT OFF UPON ACTIVATION OF THE SYSTEM.

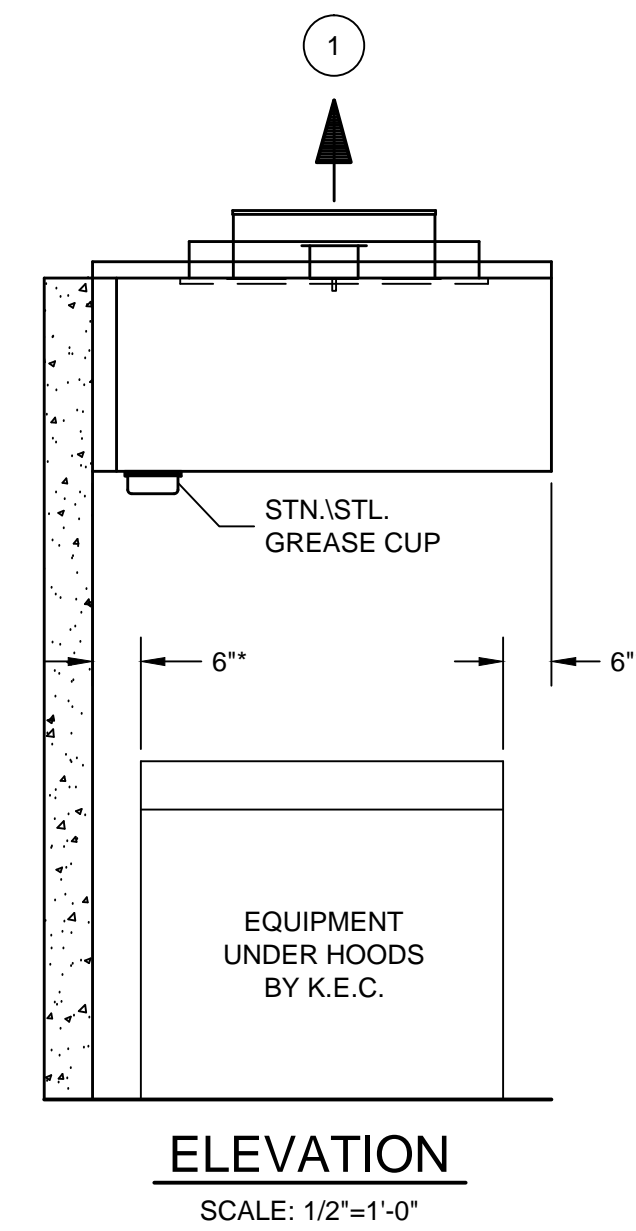
- ELECTRICAL REQUIREMENTS:**
1. LIGHT FIXTURE BULBS PROVIDED AND INSTALLED BY OTHERS.



MOUNTING BRACKET DETAIL A-A
SCALE: 1/4"=1"



HANGING BRACKET DETAIL B-B
SCALE: 1/4"=1"



ELEVATION
SCALE: 1/2"=1'-0"

K.E.C. TO VERIFY ALL MAKES AND MODELS OF COOKING EQUIPMENT. REVIEW PLAN FOR PROPER LINE-UP PRIOR TO FABRICATION OF VENTILATORS, AND TO NOTIFY CADDY OF ANY CHANGES.

*** - MINIMUM OVERHANG FROM EDGE OF COOKING EQUIPMENT TO END OF HOOD MUST BE 6"**

INSTALLATION INFORMATION

ALLOW SUFFICIENT ACCESS TO BRING VENTILATOR INTO KITCHEN AREA. MAXIMUM VENTILATOR DIMENSIONS 5'-0" LONG x 4'-6" WIDE x 34 1/2" HIGH. ESTIMATED TOTAL HANGING WEIGHT: 475 LBS.

VENTILATOR TO BE SHIPPED IN (1) UNIT. ALL PLUMBING AND ELECTRICAL DISCONNECTED FOR SHIPMENT. RECONNECTED IN FIELD BY PLUMBING AND ELECTRICAL CONTRACTORS.

ROUGH-IN SCHEDULE		DESCRIPTION
SYM	QTY	DESCRIPTION
D	1	120V, 60HZ, 1PH, 0.08 K.W. CONNECTED LOAD
E	1	120V, 60HZ, 1PH, 0.72 K.W. CONNECTED LOAD

REVISIONS			
REV	DATE	BY	REMARKS
A	9-24-04	SWL	REVISED PER PHONE CONVERSATION WITH PAUL BERINSKY OF H-MAK ON 09/24/04. REVISED THE VENTILATOR'S HEIGHT FROM 30" TO 24". REVISED THE FINISHED CEILING HEIGHT FROM 9'-0" TO 8'-6".
B	9-29-04	SWL	FABRICATED PER APPROVED DRAWING FROM PAUL BERINSKY OF H-MAK ON 09/27/04. REVISED FINISHED CEILING HEIGHT FROM 8'-6" TO 8'-0".
C	10-8-04	SWL	NO CHANGES TO THIS SHEET
D	11-29-04	SWL	NO CHANGES TO THIS SHEET

CADDY AirSystems
509 SHARPTOWN ROAD
P.O. BOX 345 BRIDGEPORT NJ 08014
Tel:(856) 467-4222 Fax:(856) 467-5511

EQUIPMENT SCHEDULE

SH-BCU-54

CADDY NO. 1398 ITEM NO. 85

JOB: UNIVERSITY HOSPITAL OF CLEVELAND
LOC: CLEVELAND, OHIO
CUST:
CUST#:

DWG# D-1-1398 SHT 5 OF 7

GENERAL CONTRACT CONDITIONS
ELECTRICAL WORK DONE BY CADDY CORPORATION IS EXECUTED IN COMPLIANCE WITH STANDARDS PUBLISHED BY THE UNDERWRITER'S LABORATORIES, INC. INSOFAR AS APPLICABLE, AND THE LATEST EDITION OF THE NATIONAL ELECTRICAL CODE (NEC). CADDY CORPORATION DOES NOT ACCEPT ANY RESPONSIBILITY FOR THE REQUIREMENTS OF ANY REGIONAL AND/OR LOCAL CODES THAT ADD OR DEVIATED FROM THE ACCEPTED STANDARDS OF THE ABOVE AGENCIES. ANY FIELD WORK RELATING TO THE MODIFICATION OF ELECTRIC OR PLUMBING SYSTEMS, TO MEET REGIONAL OR LOCAL CODE REQUIREMENTS IS TO BE DONE BY OTHERS AND WITHOUT BACK CHARGES TO CADDY CORPORATION, UNLESS THESE CONDITIONS WERE PREVIOUSLY BROUGHT TO OUR ATTENTION AND ARE EXPRESSLY INCLUDED IN OUR WRITTEN QUOTATION.
ALL WIRING AND PLUMBING AT THE JOB SITE IS THE RESPONSIBILITY OF OTHERS. EQUIPMENT WILL BE CONSTRUCTED IN ACCORDANCE WITH OUR DRAWING(S) WHICH MUST BE APPROVED PRIOR TO FABRICATION. ANY SUBSEQUENT CHANGES REQUIRED MUST BE SUBMITTED TO US IN WRITING AND ACKNOWLEDGED ON OUR STANDARD FORM.

GENERAL NOTES

NOTE:

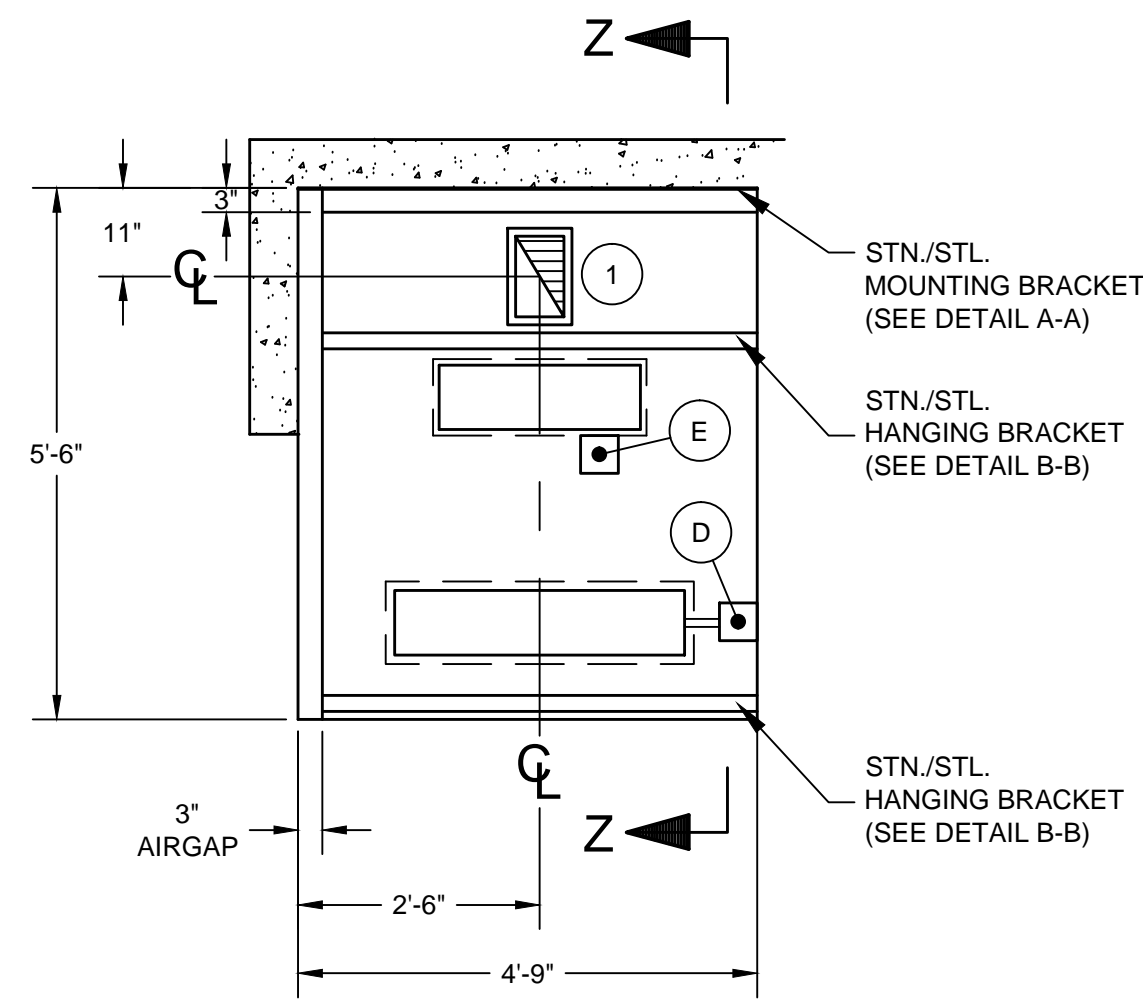
K.E.C. MUST VERIFY THE EXACT DIMENSION OF THE COOKING EQUIPMENT FROM EITHER THE WALL OR FROM THE FRONT OF THE HOOD, SO CADDY MAY PROPERLY LOCATE THE FIRE PROTECTION NOZZLES AT TIME-OF-FABRICATION IN THE FACTORY. IF EQUIPMENT IS NOT LOCATED AS SHOWN AND THE DRAWING IS APPROVED FOR FABRICATION, THEN NOZZLES MUST BE RELOCATED AT THE EXPENSE OF OTHERS.

CONTRACTOR NOTE:

ALLOW SUFFICIENT ACCESS ON TOP OF VENTILATOR TO SERVICE COMPONENTS AND UTILITIES

MAKE-UP AIR NOTE:

AIR TEMPERATURE SHOULD RANGE FROM 60° TO 65° F, BUT MAY BE AS LOW AS 50° F DEPENDING ON AIR VOLUME, DISTRIBUTION, AND INTERNAL HEAT LOAD

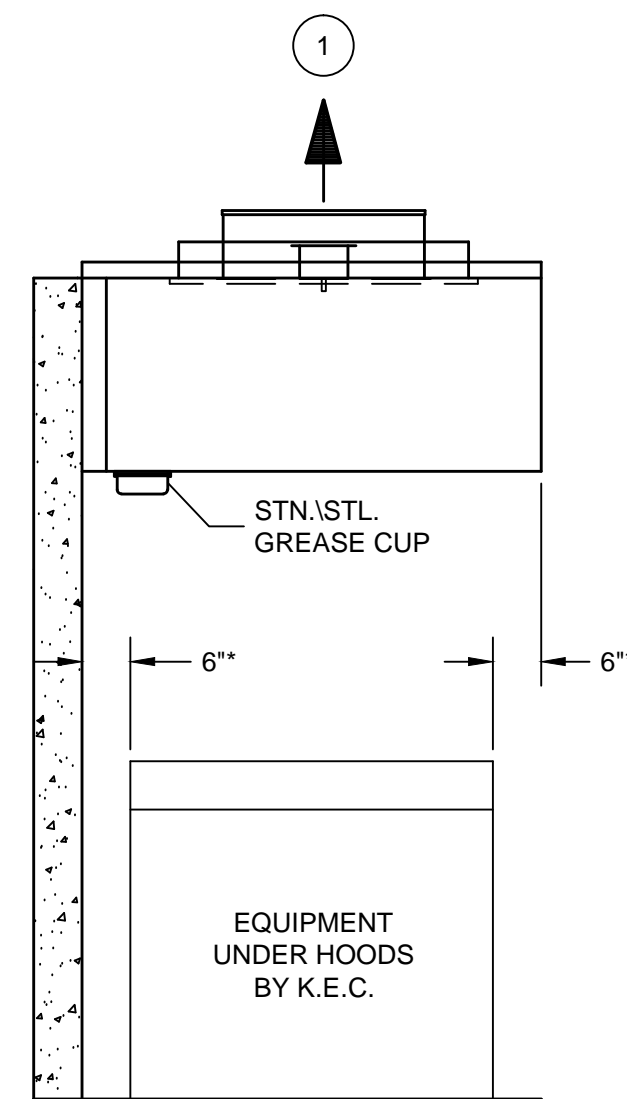


PLAN

SCALE: 1/2"=1'-0"

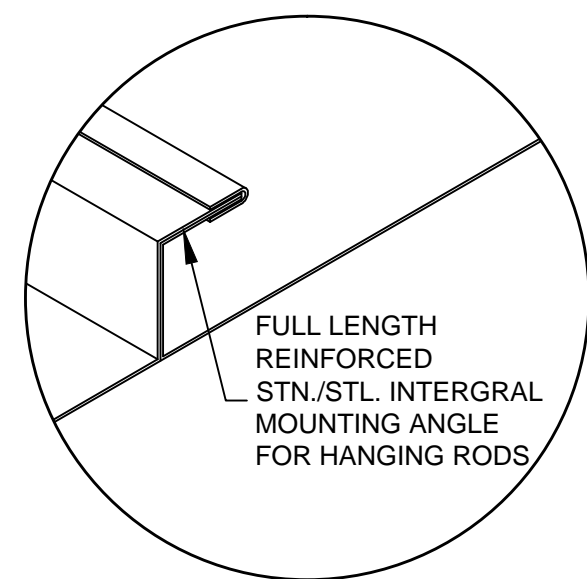
TOTAL EXHAUST : 2,836 C.F.M.

1 10" X 12" EXHAUST DUCTS
1,418 C.F.M. EACH @ 1.70" S.P.



ELEVATION

SCALE: 1/2"=1'-0"



HANGING BRACKET DETAIL B-B

SCALE: 1/4"= 1"

K.E.C. TO VERIFY ALL MAKES AND MODELS OF COOKING EQUIPMENT. REVIEW PLAN FOR PROPER LINE-UP PRIOR TO FABRICATION OF VENTILATORS, AND TO NOTIFY CADDY OF ANY CHANGES.

* - MINIMUM OVERHANG FROM EDGE OF COOKING EQUIPMENT TO END OF HOOD MUST BE 6"

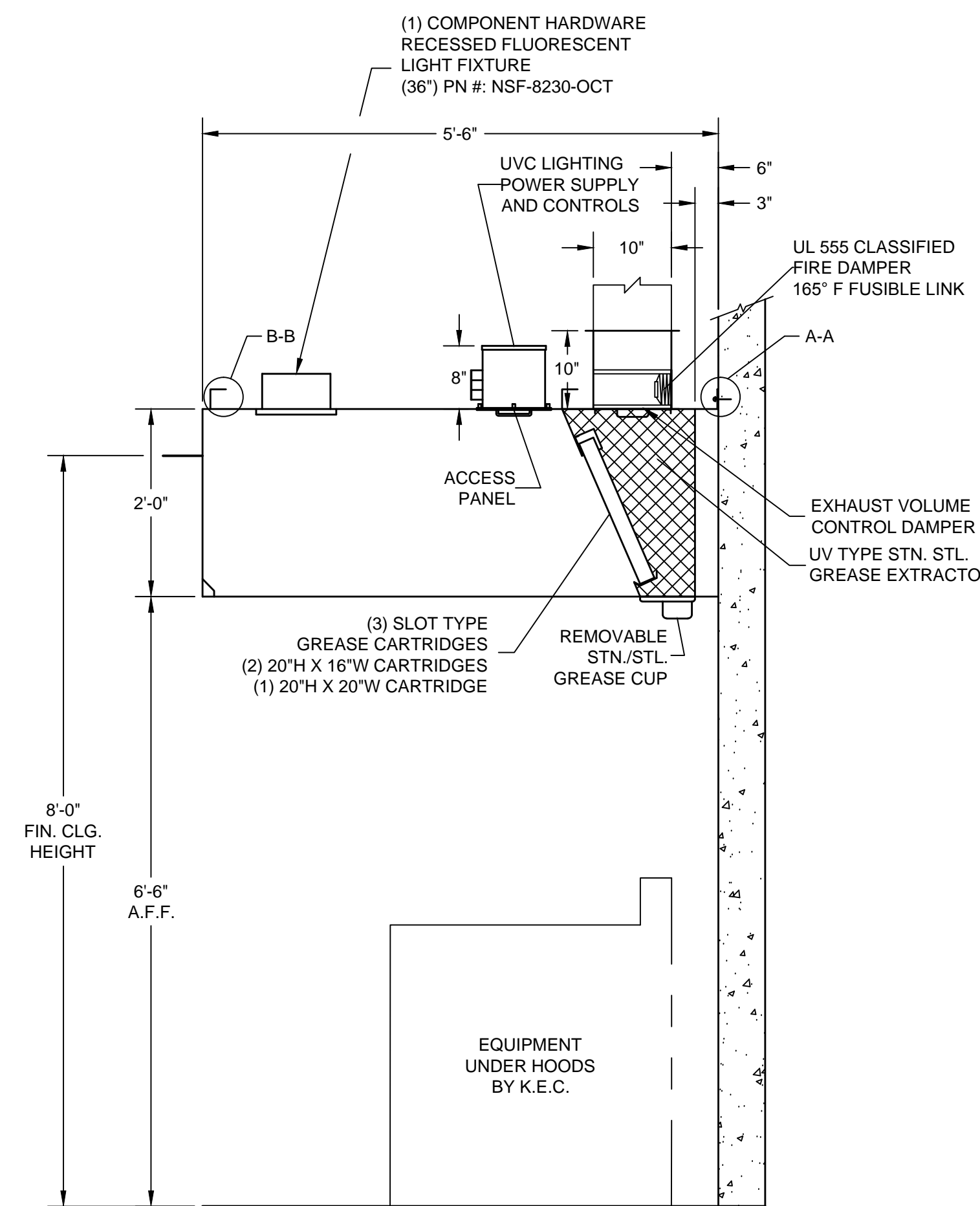
INSTALLATION INFORMATION

ALLOW SUFFICIENT ACCESS TO BRING VENTILATOR INTO KITCHEN AREA. MAXIMUM VENTILATOR DIMENSIONS 7'-6" LONG x 5'-0" WIDE x 34 1/2" HIGH. ESTIMATED TOTAL HANGING WEIGHT: 475 LBS.

VENTILATOR TO BE SHIPPED IN (1) UNIT. ALL PLUMBING AND ELECTRICAL DISCONNECTED FOR SHIPMENT. RECONNECTED IN FIELD BY PLUMBING AND ELECTRICAL CONTRACTORS.

ELECTRICAL NOTES:

1. LIGHT FIXTURES, VAPORPROOF, U.L. LISTED, FURNISHED, INSTALLED AND WIRED TO J-BOX (D) BY CADDY. RECONNECTED ON JOBSITE BY ELECTRICAL CONTRACTOR.
2. LIGHT SWITCH FOR LIGHT FIXTURE WITH 120 VOLTS A.C. SERVICE BY ELECTRICAL CONTRACTOR.
3. UVC LIGHT CONTROL BOX FURNISHED AND INSTALLED BY CADDY. 120V SUPPLY AND INTERLOCK WIRING TO EACH JUNCTION BOX (E) BY ELECTRICAL CONTRACTOR.



SECTION Z-Z

SCALE: 3/4"=1'-0"

EXHAUST AIR REQUIREMENTS:

1. EXHAUST C.F.M. BASED ON 378 C.F.M. PER LINEAR FOOT.
2. EXHAUST STATIC PRESSURE IS 1.70" W.G. AT DUCT TAKE-OFF COLLAR. TOTAL DUCT STATIC MUST BE ADDED. STATIC BASED ON OPERATION AT MEAN SEA LEVEL.
3. DUCT SIZE BASED ON 1800 F.P.M..

EXHAUST FAN REQUIREMENTS:

1. TYPE - INDUCED DRAFT, SQUIRREL CAGE, BACKWARD INCLINED BLADES, EXHAUST FAN DISCHARGE SHOULD BE VERTICAL, AWAY FROM AIR INTAKES. FAN FURNISHED BY OTHERS.
2. EXHAUST FAN MUST BE FURNISHED WITH A MAGNETIC STARTER WITH 120 VOLT HOLDING COIL. STARTER FURNISHED BY OTHERS.

MAKE-UP AIR REQUIREMENTS:

1. AIR EXHAUSTED FROM KITCHEN MUST BE REPLACED - WITH DISTRIBUTION CONTROLLED TO PROVIDE FOR TOTAL KITCHEN VENTILATION AND TO ESTABLISH NECESSARY AIR PATTERNS FOR PROPER PERFORMANCE OF THE VENTILATORS. AIR DISTRIBUTION SYSTEMS SHALL BE IN ACCORDANCE WITH ALL GOVERNING CODES.

1. MAKE-UP AIR MUST BE TEMPERED - HEATED OR COOLED - CONSISTENT WITH THE STYLE OF HOOD, HEAT LOAD, CLIMATIC CONDITIONS AND APPLICABLE CODES.

INSTALLATION:

1. VENTILATORS TO BE INSTALLED IN ACCORDANCE WITH ALL CODES.

CONTRACTORS MUST REVIEW APPLICABLE CODES WITH CODE AUTHORITIES BEFORE APPROVING DRAWINGS FOR FABRICATION. SPECIAL ATTENTION MUST BE GIVEN TO CODE REGULATIONS RELATIVE TO CLEARANCES FROM SURROUNDING COMBUSTIBLE CONSTRUCTION (WALL, CEILINGS, ETC.).

1. ALL DUCTWORK BEYOND VENTILATOR DUCT TAKE-OFF COLLAR TO BE PROVIDED AND INSTALLED BY OTHERS, IN ACCORDANCE WITH JURISDICTIONAL CODES. DUCTS MUST BE MECHANICALLY STRONG, GREASE AND WATER TIGHT.
2. MOUNTING RODS FURNISHED AND INSTALLED BY OTHERS.

CONSTRUCTION:

1. VENTILATORS TO BE MANUFACTURED IN STRICT ACCORDANCE WITH CADDY SPECIFICATIONS.
2. VENTILATORS CONSTRUCTED OF 18 GA. STAINLESS STEEL.

FIRE PROTECTION:

1. SURFACE FIRE PROTECTION PROVIDED AND INSTALLED BY K.E.C.
2. CAUTION: SURFACE FIRE PROTECTION SYSTEM INSTALLATION MUST BE COORDINATED WITH CADDY TO PREVENT SYSTEMS INTERFERENCE WITH VENTILATOR'S OPERATION/PERFORMANCE. IMPROPER INSTALLATION MAY VOID U.L. LISTINGS OF THE EQUIPMENT.

3. IMPORTANT NOTE: NFPA 96 REQUIRES THAT ALL GAS AND ELECTRIC COOKING EQUIPMENT THAT IS PROTECTED BY A SURFACE FIRE PROTECTION SYSTEM MUST AUTOMATICALLY SHUT OFF UPON ACTIVATION OF THE SYSTEM.

ELECTRICAL REQUIREMENTS:

1. LIGHT FIXTURE BULBS PROVIDED AND INSTALLED BY OTHERS.

ROUGH-IN SCHEDULE		DESCRIPTION
SYM	QTY	DESCRIPTION
D	1	120V, 60HZ, 1PH, 0.16 K.W. CONNECTED LOAD
E	1	120V, 60HZ, 1PH, 0.72 K.W. CONNECTED LOAD

REVISIONS			
REV	DATE	BY	REMARKS
A	9-24-04	SWL	REVISED PER PHONE CONVERSATION WITH PAUL BERINSKY OF H-MAK ON 09/24/04. REVISED THE VENTILATOR HEIGHT FROM 32" TO 24" REVISED THE CUSTOMER SIDE OF THE VENTILATOR TO SHOW A CURVED WALL. THE CURVED FRONT WALL AND SIDE WALLS ARE 7'-0" ABOVE FINISHED FLOOR.
B	9-29-04	SWL	FABRICATED PER APPROVED DRAWING FROM PAUL BERINSKY OF H-MAK ON 09/27/04. REVISED FINISHED CEILING HEIGHT FROM 10'-2" TO 9'-0" BULKHEAD ON THE SIDES OF VENTILATOR @ 7'-0" A.F.F.
C	10-9-04	SWL	NO CHANGES TO THIS SHEET
D	11-29-04	SWL	NO CHANGES TO THIS SHEET

CADDY AirSystems
509 SHARPTOWN ROAD
P.O. BOX 345 BRIDGEPORT NJ 08014
Tel:(856) 467-4222 Fax:(856) 467-5511

EQUIPMENT SCHEDULE

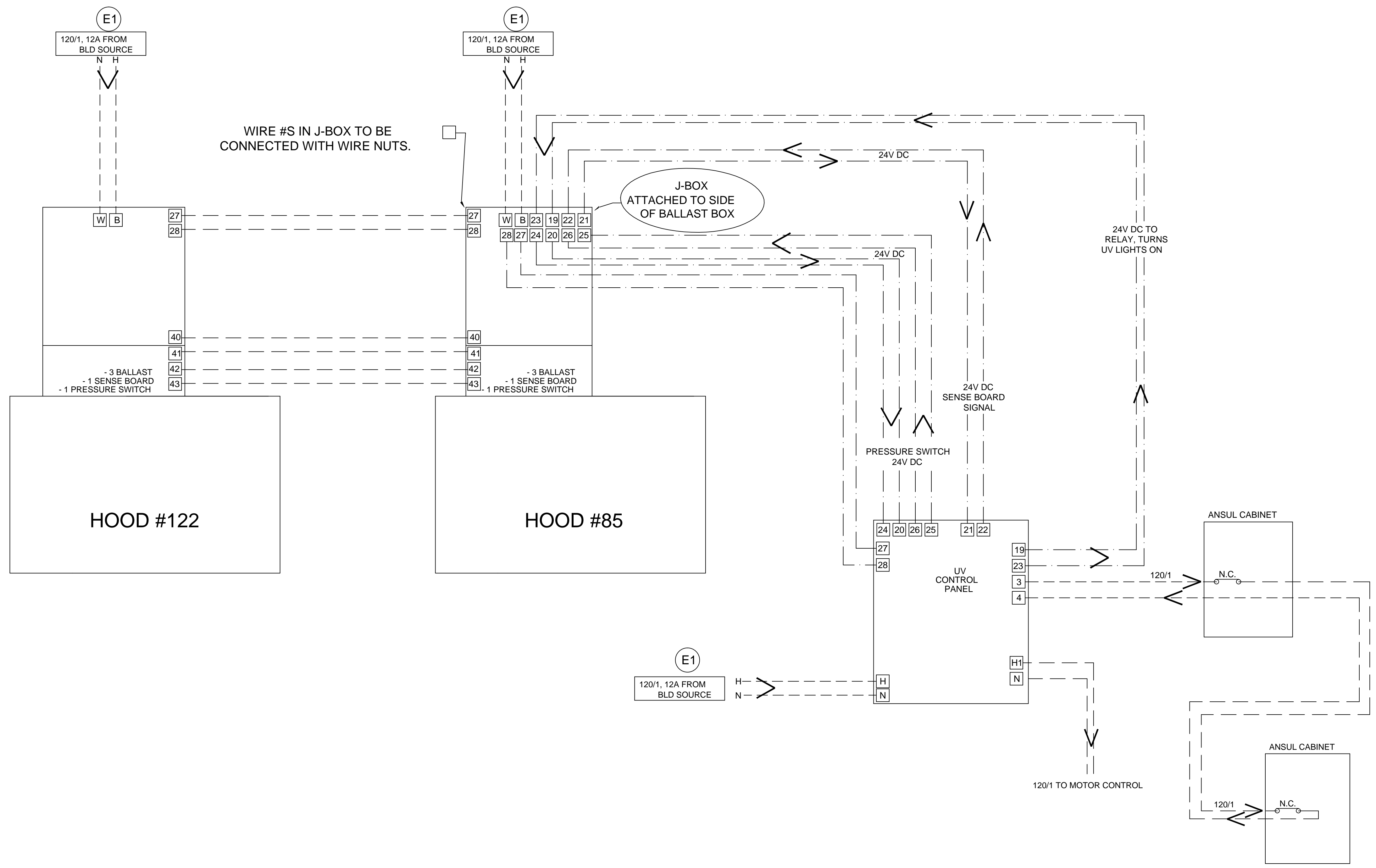
SH-BCU-60

CADDY NO. 1398 ITEM NO. 122

JOB: UNIVERSITY HOSPITAL OF CLEVELAND
LOC: CLEVELAND, OHIO
CUST:
CUST#:

DWG# D-1-1398 SHT 6 OF 7

GENERAL CONTRACT CONDITIONS
ELECTRICAL WORK DONE BY CADDY CORPORATION IS EXECUTED IN COMPLIANCE WITH STANDARDS PUBLISHED BY THE UNDERWRITERS LABORATORIES, INC. INSOFAR AS APPLICABLE, AND THE LATEST EDITION OF THE NATIONAL ELECTRICAL CODE (NEC). CADDY CORPORATION DOES NOT ACCEPT ANY RESPONSIBILITY FOR THE REQUIREMENTS OF ANY REGIONAL AND/OR LOCAL CODES THAT ADD OR DEVIATED FROM THE ACCEPTED STANDARDS OF THE ABOVE AGENCIES. ANY FIELD WORK RELATING TO THE MODIFICATION OF ELECTRIC OR PLUMBING SYSTEMS, TO MEET REGIONAL OR LOCAL CODE REQUIREMENTS IS TO BE DONE BY OTHERS AND WITHOUT BACK CHARGES TO CADDY CORPORATION, UNLESS THESE CONDITIONS WERE PREVIOUSLY BROUGHT TO OUR ATTENTION AND ARE EXPRESSLY INCLUDED IN OUR WRITTEN QUOTATION.
ALL WIRING AND PLUMBING AT THE JOB SITE IS THE RESPONSIBILITY OF OTHERS. EQUIPMENT WILL BE CONSTRUCTED IN ACCORDANCE WITH OUR DRAWING(S) WHICH MUST BE APPROVED PRIOR TO FABRICATION. ANY SUBSEQUENT CHANGES REQUIRED MUST BE SUBMITTED TO US IN WRITING AND ACKNOWLEDGED ON OUR STANDARD FORM.



**UV PANEL FOR VENTILATOR
(2) HOODS, (2) UV CASSETTES**

E1- 120V, 12A SERVICE FROM BUILDING SOURCE

ALL WIRING BY E.C.

UV CONTROL PANEL MOUNTED ON WALL

REVISIONS			
REV	DATE	BY	REMARKS
A	9-24-04	SWL	REVISED PER PHONE CONVERSATION WITH PAUL BERINSKY OF HAKAK ON 09/24/04. REMOVED ITEM #69 VENTILATOR FROM THIS UV CONTROL PANEL.
B	9-28-04	SWL	FABRICATED PER APPROVED DRAWING FROM PAUL BERINSKY OF HAKAK ON 09/27/04. EXHAUST FAN MOTOR CONTROLS BY OTHERS.
C	10-8-04	SWL	ADDED UPDATED FIELD WIRING
D	11-29-04	SWL	UPDATED FIELD WIRING DIAGRAM

CADDY AirSystems
509 SHARPTOWN ROAD
P.O. BOX 345 BRIDGEPORT NJ 08014
Tel:(856) 467-4222 Fax:(856) 467-5511

EQUIPMENT SCHEDULE

FIELD WIRING REQUIREMENTS FOR THE
UVC HOOD EQUIPMENT

CADDY NO. 1398 ITEM NO. 85A

JOB: UNIVERSITY HOSPITAL OF CLEVELAND
LOC: CLEVELAND, OH
CUST:
CUST#:

DATE	09/22/04	SCALE	AS NOTED
DR BY	DRA	APP'D BY	

DWG# D-1-1398 SHT 7 OF 7