



# Powered Loader

# Powered Loader

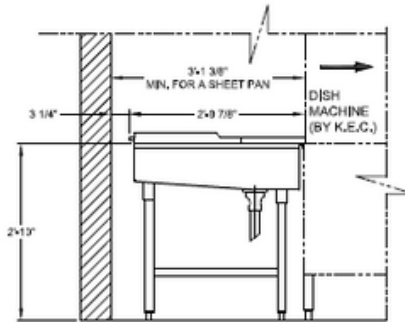
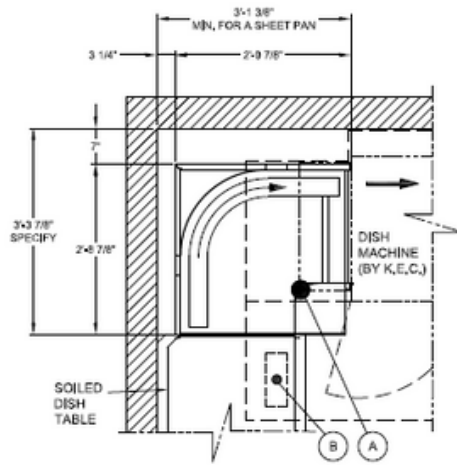


**Description:**

The Tite-Turn Loader allows dish racks to make tightest 90° within 37-1/8" footprint at the dishwasher loading side. Its 90° turn knuckle belt conveyor transports dish racks into the dishwasher. It allows flexibility in dishroom designs to conserve floor space and is ideal for small dishroom application. The Tite-Turn Loader is available in L-R and R-L model. The unit interconnects to any conveyor type dishwasher.

**Standard Features:**

- +14-gauge stainless steel construction
- +Attached to loading side of a dishwasher by stainless steel bolts
- +The 90° turn makes a smooth transition to the dishwasher
- +System is interwired to a dishwasher; it runs when dishwasher runs
- +90° turn knuckle belt conveyor's pivot-radius drive chain provides motive power to pull 20" x 20" dish racks around a tight radius so that overall dimension from end of dishwasher to far side of Tite-Turn Loader is approximately 39".



Typical Elevation View

ROUGH-IN SCHEDULE	
SYM	DESCRIPTION
A	1 1/2" I.P.S. WASTE 12" A.F.F.
B	15A/208V/1Ø/60Hz 24" A.F.F.

Voltages Available: - 208V, 3φ & 480V, 3φ  
- 120V, 1φ at additional cost.

CAD and Revit Files Available Upon Request

**WARNING:**

Electrical and grounding connections must comply with the applicable portions of the National Electrical Code and/or other local electrical codes. Plumbing connections must comply with applicable sanitary, safety, and plumbing codes

