



CADDY CORPORATION

Food Service Equipment

Air Systems

Tray Delivery Trucks

Tray Delivery Trucks with

Single, double, or triple doors on front or with
Single or double doors on both front and back



Single Door
(TD-607-D-14 shown)



Double Door
(TD-614-D-14 shown)



Triple Door
(TD-621-D-14 shown)



All Caddy Tray Delivery Trucks feature: Sides, doors, and inside tray slides of super impact polymer that resists stains and cracking from detergents. Inside tray slides are formed with large radius corners and set 2" away from front and back for easy cleaning. No disassembly required. No sharp inside corners which prevents food and grime build-up. All double walls and openings are sealed against water and vermin infestation. Doors swing open 270° against the side of the truck. The latches are 300 series stainless steel airline type with positive cam lock to prevent the doors from opening when moving across thresholds.

Caddy TD-600 Series Tray Delivery Trucks are available in 5 colors

TDC Series available in Cream only.

General Specifications

Tray Delivery Truck to be Caddy Corporation model TD-_____.

Unit to have stainless steel top, back and chassis. Ends and partition to be of high-impact, double wall polymer with molded seamless tray supports. Spacing between tray supports to be 5 1/4". One end provided with card holder and 1" O.D. seamless stainless steel handle. Card holder to be fitted with sure grip roller assembly for easy insertion and removal of identification card.

Bottom platform to be 16 gauge stainless steel with stainless steel channel braces. The perimeter to be furnished with full non-marking bumper in stainless steel channel with separate replaceable corners. Unit to be mounted on four 6" diameter* heavy duty, double ball bearing, casters with polyurethane tires. Two casters to be swivel type and two to be rigid type.

Exterior of Tray Delivery Truck to be finished in (select one).

- Cream & Blue
 Cream & Cranberry
 Cream
 Cream & Teal
 Cream & Gray

* Model # TD-607-D, TD-614-D, & TD-21-D are mounted on 5" diameter casters

Single Door					
Model	Length	Width	Height	Trays	Net. Wt.
TD-607-D**	23 3/8"	26 3/4"	47"	7	150 lbs.
TD-608-D**	23 3/8"	26 3/4"	53 1/2"	8	150 lbs.
TD-610-D**	23 3/8"	26 3/4"	64"	10	150 lbs.

** Add to the model # -14 for 14" x 18" trays, -15 for 15" x 20" trays, or -16 for 16" x 22" trays

Double Door					
Model	Length	Width	Height	Trays	Net. Wt.
TD-614-D**	41 1/4"	26 3/4"	47"	14	175 lbs.
TD-616-D**	41 1/4"	26 3/4"	53 1/2"	16	175 lbs.
TD-620-D**	41 1/4"	26 3/4"	64"	20	220 lbs.

** Add to the model # -14 for 14" x 18" trays, -15 for 15" x 20" trays, or -16 for 16" x 22" trays

Triple Door					
Model	Length	Width	Height	Trays	Net. Wt.
TD-621-D**	60 1/8"	26 3/4"	47"	21	250 lbs.
TD-624-D**	60 1/8"	26 3/4"	53 1/2"	24	250 lbs.
TD-630-D**	60 1/8"	26 3/4"	64"	30	300 lbs.

** Add to the model # -14 for 14" x 18" trays, -15 for 15" x 20" trays, or -16 for 16" x 22" trays

Space-Sava Truck***					
Model	Length	Width	Height	Trays	Net. Wt.
TDC-20-D	30 1/2"	34"	64"	20	200 lbs.
TDC-40-D	45 1/8"	34"	64"	40	250 lbs.
TDC-20-DD	30 1/2"	34"	64"	20	200 lbs.
TDC-40-DD	45 1/8"	34"	64"	40	250 lbs.

*** For transportation of 14" x 18" trays only



Tray Delivery Trucks with Single, double, or triple doors on front or with Single or double doors on both front and back

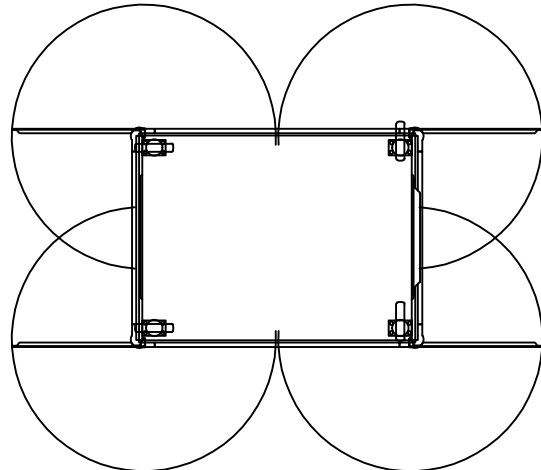
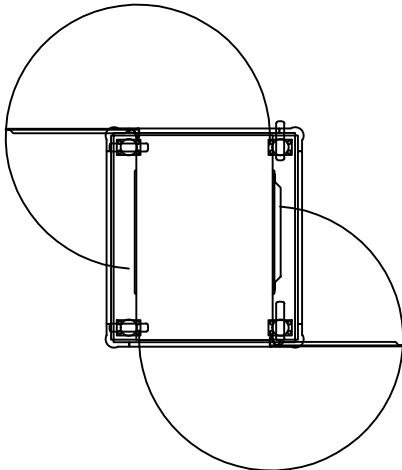


Unit to be provided with the following accessories:

Accessories

- ACC-17** - Pull handle at both ends of truck.
- ACC-19** - Door stay open compression device.
- ACC-21** - Top perimeter rail around truck.
- ACC-45** - Vertical corner bumpers to protect rear corners.
- ACC-61** - Pair of brakes for 6" diameter casters.
- ACC-62** - Pair of brakes for 8" diameter casters.
- ACC-65** - 8" diameter casters with polyurethane tires.
- ACC-76** - 8" diameter carpet casters with polyurethane tires.
- ACC-77** - 6" diameter stainless steel, non-corrosive casters with polyurethane tires.
- ACC-78** - 6" diameter stainless steel, non-corrosive casters with polyurethane tires.
- ACC-80** - Coupling Device.
- ACC-84** - Compartment drain.
- ACC-85** - Six 6" diameter casters in lieu of four 6" diameter casters.
- ACC-86** - Six 8" diameter casters in lieu of four 8" diameter casters.
- ACC-87** - 6" diameter quiet-ride special modulus casters.
- ACC-88** - 8" diameter quiet-ride special modulus casters.

Double Sided Delivery Trucks



TDC-20-D
TDC-20-DD
(TDC-20-DD has single doors
on the front & back)



TDC-40-D
TDC-40-DD
(TDC-40-DD has double doors
on the front & back)

Tray Delivery Trucks with

Single, double, or triple doors on front or with
Single or double doors on both front and back



Single Sided Delivery Trucks



TD-607-D-14
TD-607-D-15
TD-607-D-16



TD-614-D-14
TD-614-D-15
TD-614-D-16



TD-621-D-14
TD-621-D-15
TD-621-D-16



TD-608-D-14
TD-608-D-15
TD-608-D-16



TD-616-D-14
TD-616-D-15
TD-616-D-16



TD-624-D-14
TD-624-D-15
TD-624-D-16



TD-610-D-14
TD-610-D-15
TD-610-D-16



TD-620-D-14
TD-620-D-15
TD-620-D-16



TD-630-D-14
TD-630-D-15
TD-630-D-16