

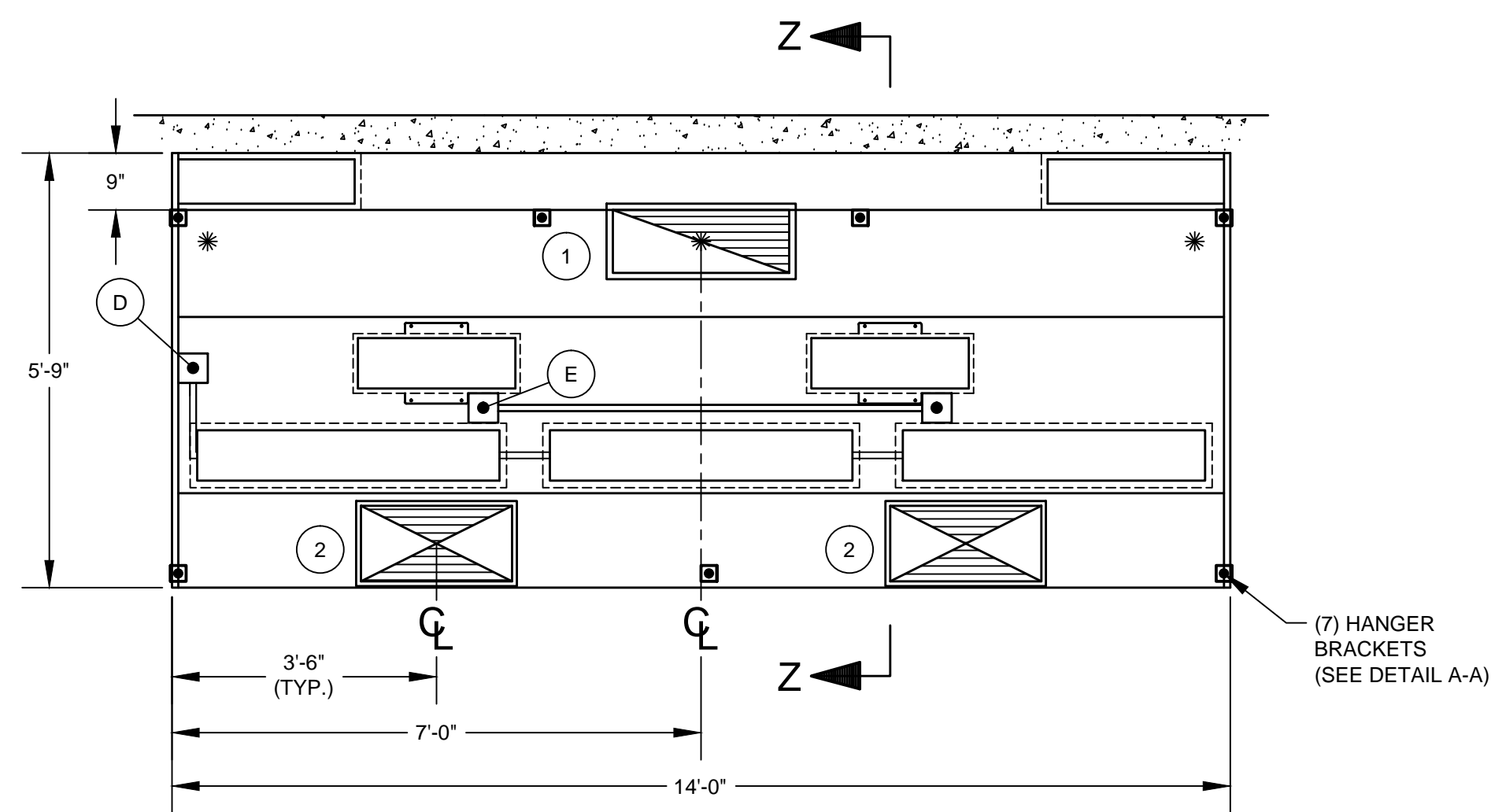
NOTE:
K.E.C. MUST VERIFY THE EXACT DIMENSION OF THE COOKING EQUIPMENT FROM EITHER THE WALL OR FROM THE FRONT OF THE HOOD, SO CADDY MAY PROPERLY LOCATE THE FIRE PROTECTION NOZZLES AT TIME-OF-FABRICATION IN THE FACTORY. IF EQUIPMENT IS NOT LOCATED AS SHOWN AND THE DRAWING IS APPROVED FOR FABRICATION, THEN NOZZLES MUST BE RELOCATED AT THE EXPENSE OF OTHERS.

CONTRACTOR NOTE:
ALLOW SUFFICIENT ACCESS ON TOP OF VENTILATOR TO SERVICE COMPONENTS AND UTILITIES

MAKE-UP AIR NOTE:
AIR TEMPERATURE SHOULD RANGE FROM 60° TO 65° F, BUT MAY BE AS LOW AS 50° F DEPENDING ON AIR VOLUME, DISTRIBUTION, AND INTERNAL HEAT LOAD

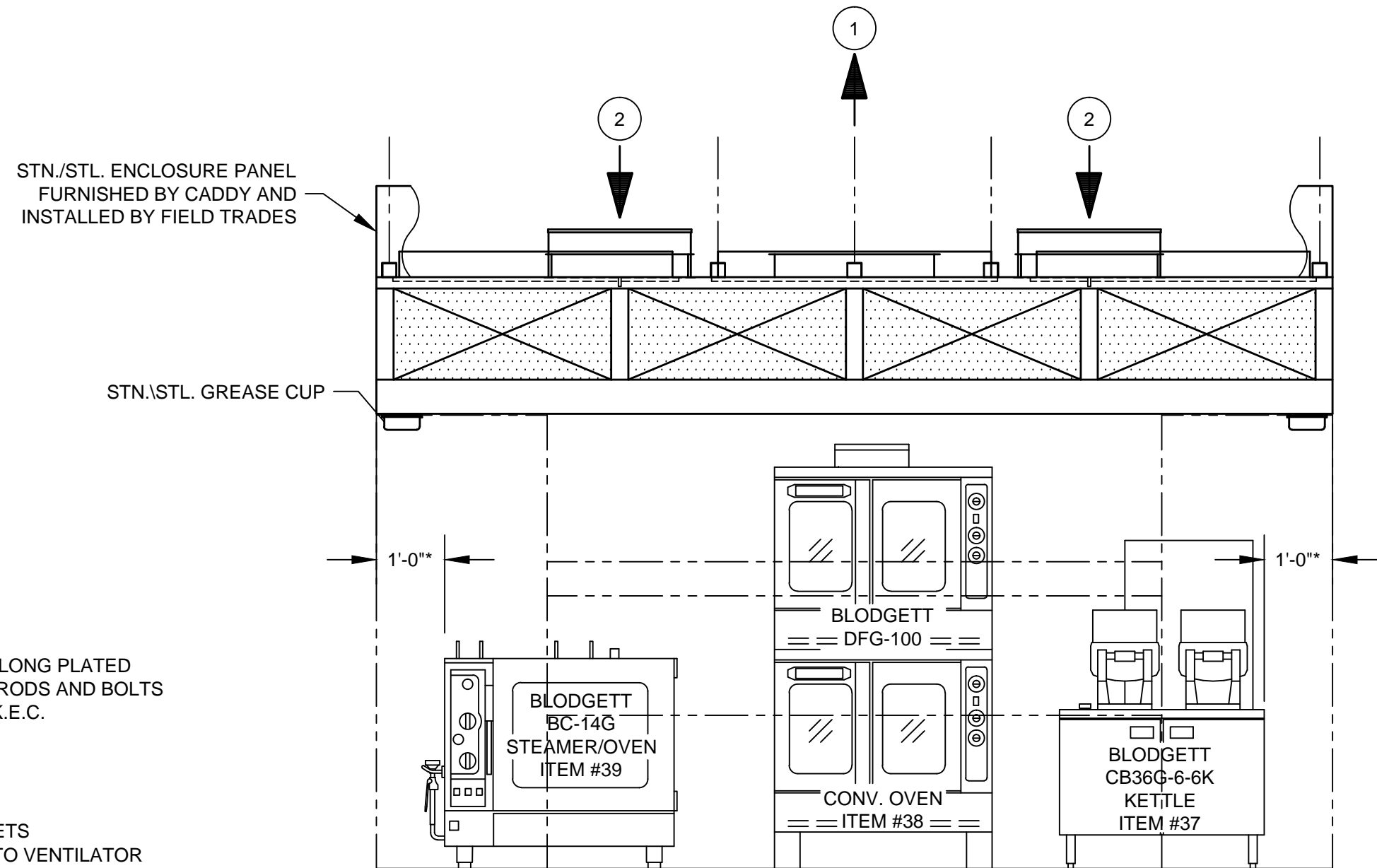
THE CADDY VENTILATOR TESTING, LISTING AND APPROVAL REFERENCES:

- NATIONAL FIRE PROTECTION ASSOCIATION
In accordance with Recommendation of National Fire Protection Association's NFPA No. 96 "Vapor Removal from Cooking Equipment"
- NATIONAL SANITATION FOUNDATION
Standard #2 - "Food Service Equipment"
- UNDERWRITERS LABORATORIES, INC
Tested under standard U.L. 710 "Exhaust Hoods for Commercial Cooking Equipment". U.L. listed under file number MH12867
- UNIFORM MECHANICAL CODE
Section 507 - Commercial Kitchen Hoods and Kitchen Ventilation Systems
- THE BOCA NATIONAL MECHANICAL CODE
Chapter 5 - Kitchen Exhaust Equipment
- STANDARD MECHANICAL CODE (SBCC)
Section 504 - Commercial Hoods
- UNIFORM BUILDING CODE (ICBO)
- INTERNATIONAL MECHANICAL CODE (IMC)

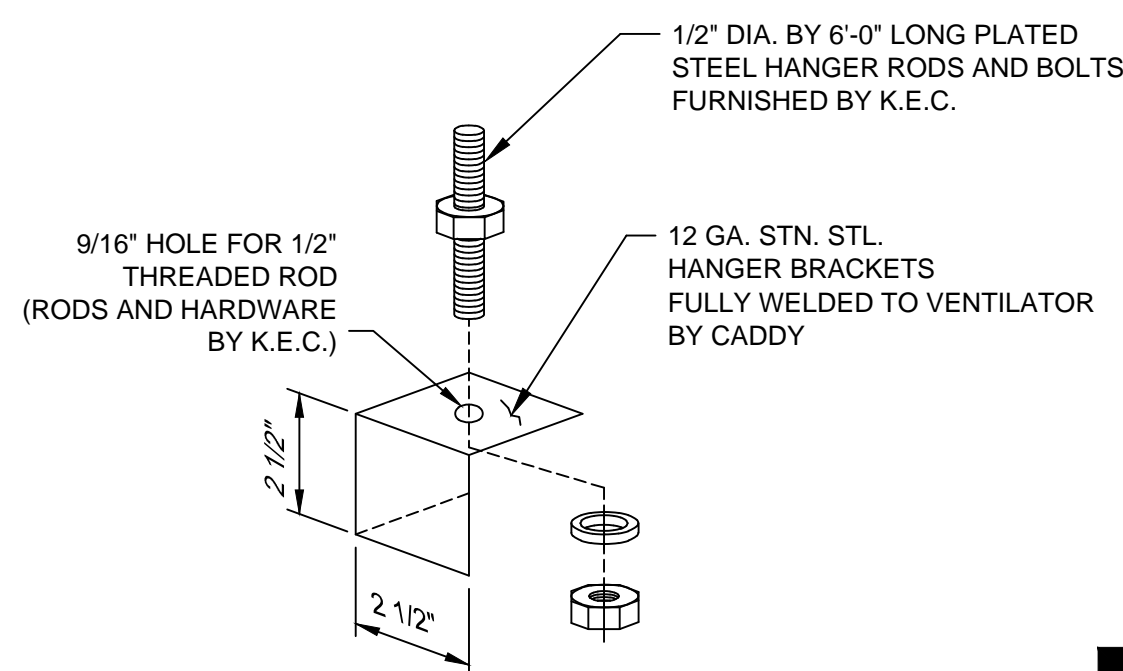


TOTAL EXHAUST : 3,500 C.F.M.
TOTAL SUPPLY : 2,800 C.F.M.

- (1) 10" X 28" EXHAUST DUCT 3,500 C.F.M. EACH @ 1.30" S.P.
- (2) 12" X 24" SUPPLY DUCTS 1,400 C.F.M. EACH @ 0.20" S.P.



ELEVATION
SCALE: 1/2"=1'-0"



HANGER BRACKET DETAIL A-A
SCALE: 1/4"=1"

K.E.C. TO VERIFY ALL MAKES AND MODELS OF COOKING EQUIPMENT. REVIEW PLAN FOR PROPER LINE-UP PRIOR TO FABRICATION OF VENTILATORS, AND TO NOTIFY CADDY OF ANY CHANGES.

* - MINIMUM OVERHANG FROM EDGE OF COOKING EQUIPMENT TO END OF HOOD MUST BE 6"

INSTALLATION INFORMATION

ALLOW SUFFICIENT ACCESS TO BRING VENTILATOR INTO KITCHEN AREA
MAXIMUM VENTILATOR DIMENSIONS 14'-0" LONG x 5'-9" WIDE x 32 1/2" HIGH
ESTIMATED TOTAL HANGING WEIGHT: 1,150 LBS.

VENTILATOR TO BE SHIPPED IN (1) UNIT.
ALL PLUMBING AND ELECTRICAL DISCONNECTED FOR SHIPMENT. RECONNECTED IN FIELD BY PLUMBING AND ELECTRICAL CONTRACTORS.

ELECTRICAL NOTES:

- LIGHT FIXTURES, VAPORPROOF, U.L. LISTED, FURNISHED, INSTALLED AND WIRED TO J-BOX (D) BY CADDY. DISCONNECTED FOR SHIPPING AT EACH J-BOX (C). RECONNECTED ON JOBSITE BY ELECTRICAL CONTRACTOR.
- LIGHT SWITCH FOR LIGHT FIXTURE WITH 120 VOLTS A.C. SERVICE BY CADDY. SWITCH LOCATED IN UDS RISER ITEM # 35.
- UVC LIGHT CONTROL BOX FURNISHED AND INSTALLED BY CADDY. 120V SUPPLY AND INTERLOCK WIRING TO EACH JUNCTION BOX (E) BY ELECTRICAL CONTRACTOR.

GENERAL NOTES

- EXHAUST AIR REQUIREMENTS:**
- EXHAUST C.F.M. BASED ON 250 C.F.M. PER LINEAR FOOT.
 - EXHAUST STATIC PRESSURE IS 1.30" W.G. AT DUCT TAKE-OFF COLLAR. TOTAL DUCT STATIC MUST BE ADDED. STATIC BASED ON OPERATION AT MEAN SEA LEVEL.
 - DUCT SIZE BASED ON 1800 F.P.M.
- EXHAUST FAN REQUIREMENTS:**
- TYPE - INDUCED DRAFT, SQUIRREL CAGE, BACKWARD INCLINED BLADES. EXHAUST FAN DISCHARGE SHOULD BE VERTICAL, AWAY FROM AIR INTAKES. FAN FURNISHED BY OTHERS.
 - EXHAUST FAN MUST BE FURNISHED WITH A MAGNETIC STARTER WITH 120 VOLT HOLDING COIL. STARTER FURNISHED BY OTHERS.
- MAKE-UP AIR REQUIREMENTS:**
- AIR EXHAUSTED FROM KITCHEN MUST BE REPLACED - WITH DISTRIBUTION CONTROLLED TO PROVIDE FOR TOTAL KITCHEN VENTILATION AND TO ESTABLISH NECESSARY AIR PATTERNS FOR PROPER PERFORMANCE OF THE VENTILATORS. AIR DISTRIBUTION SYSTEMS SHALL BE IN ACCORDANCE WITH ALL GOVERNING CODES.
 - MAKE-UP AIR MUST BE TEMPERED-HEATED OR COOLED-CONSISTENT WITH THE STYLE OF HOOD, HEAT LOAD, CLIMATIC CONDITIONS AND APPLICABLE CODES.

INSTALLATION:

- VENTILATORS TO BE INSTALLED IN ACCORDANCE WITH ALL CODES. CONTRACTORS MUST REVIEW APPLICABLE CODES WITH CODE AUTHORITIES BEFORE APPROVING DRAWINGS FOR FABRICATION. SPECIAL ATTENTION MUST BE GIVEN TO CODE REGULATIONS RELATIVE TO CLEARANCES FROM SURROUNDING COMBUSTIBLE CONSTRUCTION (WALL, CEILINGS, ETC.).
- ALL DUCTWORK BEYOND VENTILATOR DUCT TAKE-OFF COLLAR TO BE PROVIDED AND INSTALLED BY OTHERS, IN ACCORDANCE WITH JURISDICTIONAL CODES. DUCTS MUST BE MECHANICALLY STRONG, GREASE AND WATER TIGHT.
- MOUNTING RODS FURNISHED AND INSTALLED BY OTHERS.

CONSTRUCTION:

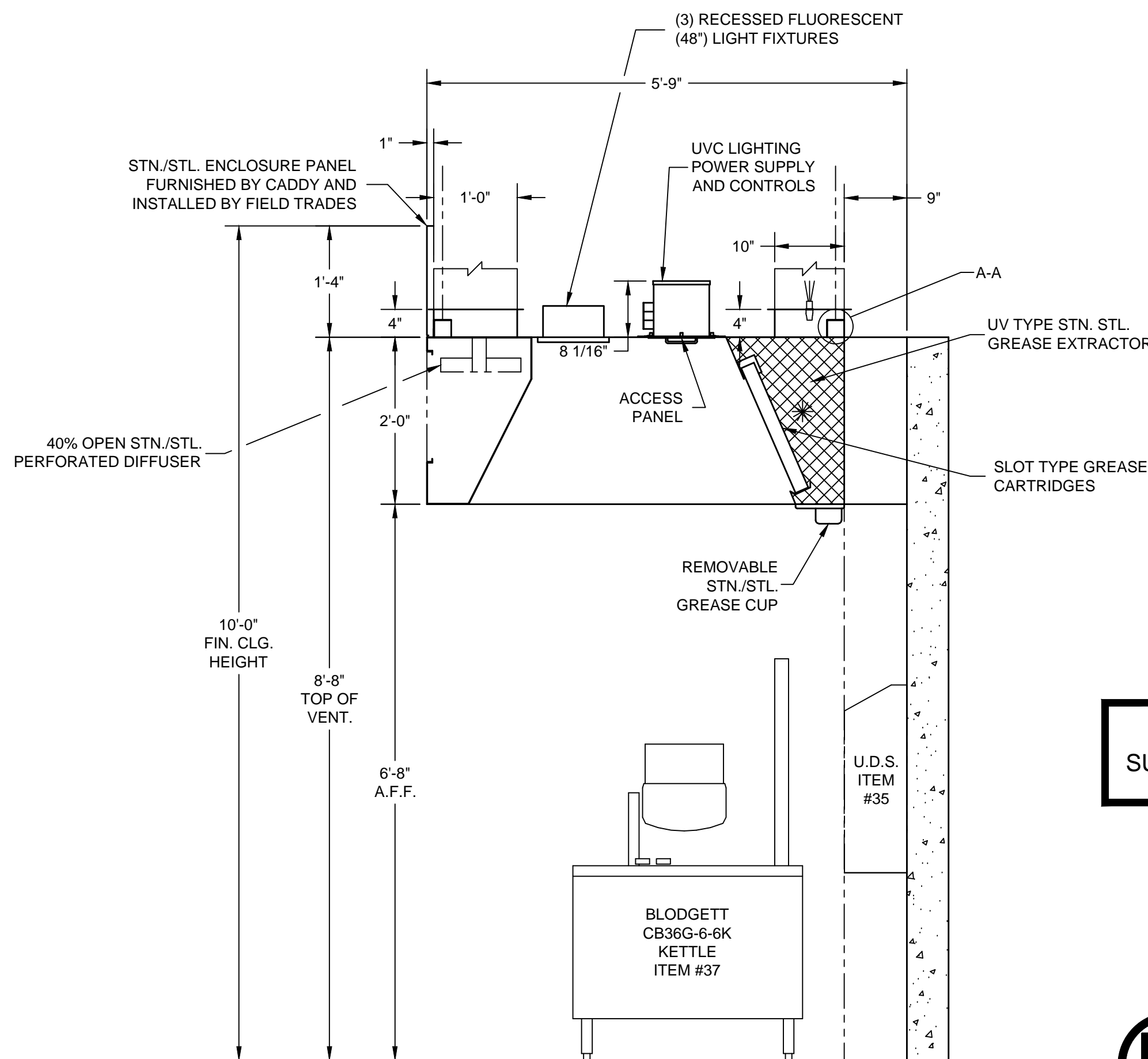
- VENTILATORS TO BE MANUFACTURED IN STRICT ACCORDANCE WITH CADDY SPECIFICATIONS.
- VENTILATORS CONSTRUCTED OF 18 GA. STAINLESS STEEL.

FIRE PROTECTION:

- SURFACE FIRE PROTECTION PROVIDED AND INSTALLED BY K.E.C. (PRE-PIPING FOR ANSUL R-102 ONLY BY CADDY.)
- CAUTION: SURFACE FIRE PROTECTION SYSTEM INSTALLATION MUST BE COORDINATED WITH CADDY TO PREVENT SYSTEMS INTERFERENCE WITH VENTILATOR'S OPERATION/PERFORMANCE. IMPROPER INSTALLATION MAY VOID U.L. LISTINGS OF THE EQUIPMENT.
- IMPORTANT NOTE: NFPA 96 REQUIRES THAT ALL GAS AND ELECTRIC COOKING EQUIPMENT THAT IS PROTECTED BY A SURFACE FIRE PROTECTION SYSTEM MUST AUTOMATICALLY

ELECTRICAL REQUIREMENTS:

- LIGHT FIXTURE BULBS PROVIDED AND INSTALLED BY OTHERS.



SECTION Z-Z
SCALE: 3/4"=1'-0"



PRE-PIPING ONLY BY CADDY
SURFACE NOZZLE DROPS NOT INCLUDED

ROUGH-IN SCHEDULE		SYM	QTY	DESCRIPTION
D	1			120V, 60HZ, 1PH, 0.24 K.W. CONNECTED LOAD
E	1			120V, 60HZ, 1PH, 1.44 K.W. CONNECTED LOAD

REVISIONS			
REV	DATE	BY	REMARKS
A	1-6-06	BJW	FABRICATED PER APPROVED DRAWINGS

CADDY AirSystems
509 SHARPTOWN ROAD
P.O. BOX 345 BRIDGEPORT NJ 08014
Tel:(856) 467-4222 Fax:(856) 467-5511

EQUIPMENT SCHEDULE

SHBCU-C-WA-168-ND-69

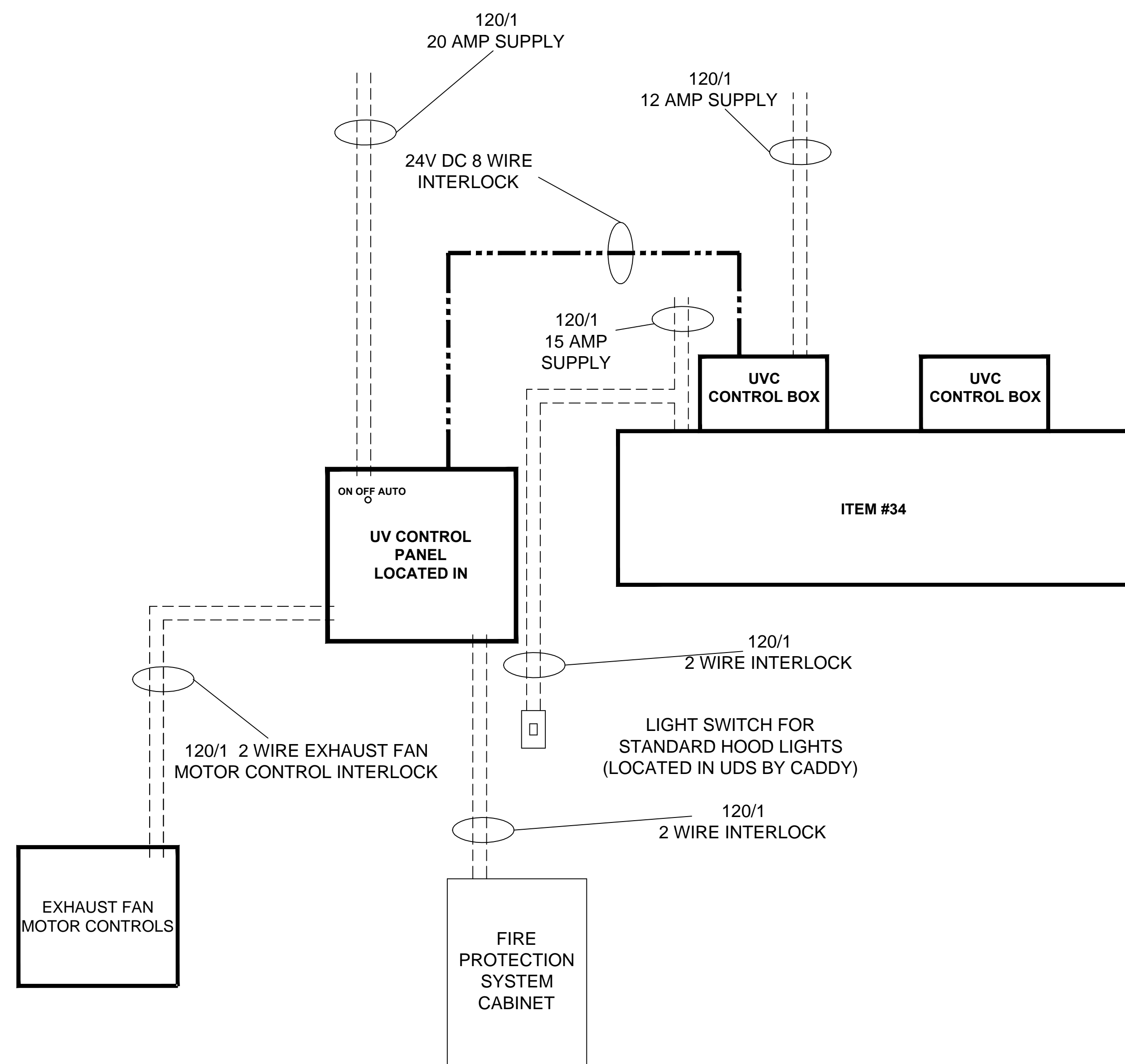
CADDY NO. 1952-4 ITEM NO. 34

JOB: JENNIE SMITH ELEM. SCHOOL
LOC: NEWARK, DE
CUST:
CUST#:

DWG# D-1-1952 SHT 1 OF 5

GENERAL CONTRACT CONDITIONS
ELECTRICAL WORK DONE BY CADDY CORPORATION IS EXECUTED IN COMPLIANCE WITH STANDARDS PUBLISHED BY THE UNDERWRITERS LABORATORIES, INC. INsofar AS APPLICABLE, AND THE LATEST EDITION OF THE NATIONAL ELECTRICAL CODE (NEC). CADDY CORPORATION DOES NOT ACCEPT ANY RESPONSIBILITY FOR THE REQUIREMENTS OF ANY REGIONAL AND/OR LOCAL CODES THAT ADD OR DEVIATED FROM THE ACCEPTED STANDARDS OF THE ABOVE AGENCIES. ANY FIELD WORK RELATING TO THE MODIFICATION OF ELECTRIC OR PLUMBING SYSTEMS, TO MEET REGIONAL OR LOCAL CODE REQUIREMENTS IS TO BE DONE BY OTHERS AND WITHOUT BACK CHARGES TO CADDY CORPORATION, UNLESS THESE CONDITIONS WERE PREVIOUSLY BROUGHT TO OUR ATTENTION AND ARE EXPRESSLY INCLUDED IN OUR WRITTEN QUOTATION.
ALL WIRING AND PLUMBING AT THE JOB SITE IS THE RESPONSIBILITY OF OTHERS. EQUIPMENT WILL BE CONSTRUCTED IN ACCORDANCE WITH OUR DRAWING(S) WHICH MUST BE APPROVED PRIOR TO FABRICATION. ANY SUBSEQUENT CHANGES REQUIRED MUST BE SUBMITTED TO US IN WRITING AND ACKNOWLEDGED ON OUR STANDARD FORM.

CADDY ULTRA SERIES HOOD SYSTEM FIELD WIRING DIAGRAM



120 VOLT SUPPLY AND INTERLOCK WIRING BY ELECTRICIAN
 --- 24 VOLT DC WIRING BY E.C.
 NOTE : • 20 AMP 120/1 SUPPLY TO MAIN UV CONTROL
 • 12 AMP 120/1 SUPPLY TO EACH HOOD SECTION
 • 15 AMP 120/1 SUPPLY TO COOKING EQUIPMENT LIGHTS

LEGEND	
SYMBOL	DESCRIPTION
	80 WATT FLUORESCENT VENTILATOR LIGHT
	100 WATT DOME INCANDESCENT VENTILATOR LIGHT
	150 WATT RECESSED INCANDESCENT VENTILATOR LIGHT
	BALLAST & CONTROL BOX FOR UVC LIGHT SYSTEM

INSTALLATION INFORMATION

ALLOW SUFFICIENT AREA TO MOUNT UVC CONTROL BOX ON CLOSEST STRUCTURAL WALL TO VENTILATOR
 MAXIMUM UVC CONTROL BOX DIMENSIONS
 14" LONG x 6 3/8" DEEP x 16" HIGH
 ESTIMATED TOTAL HANGING WEIGHT: 30 LBS.

GENERAL CONTRACT CONDITIONS

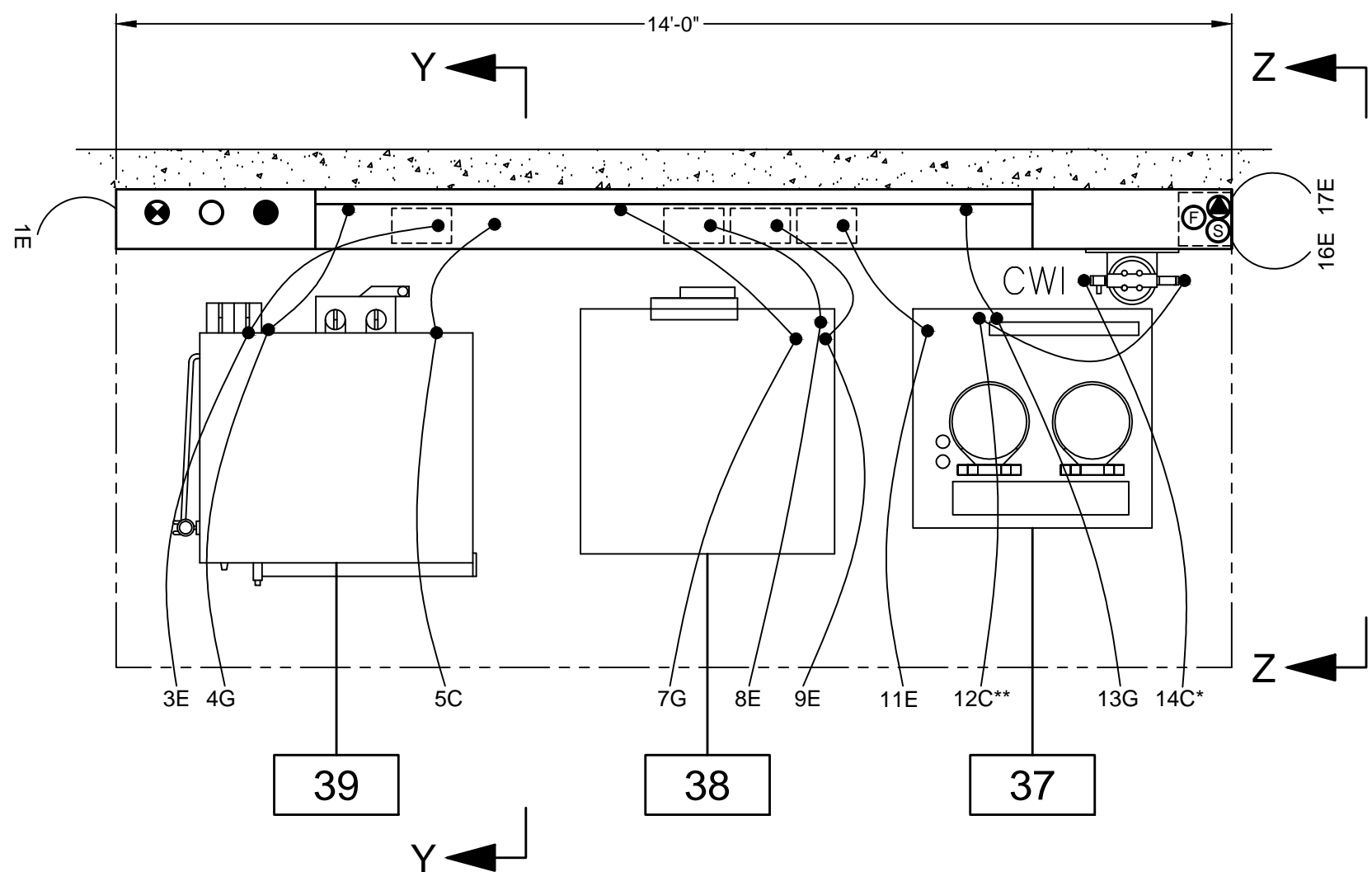
ELECTRICAL WORK DONE BY CADDY CORPORATION IS EXECUTED IN COMPLIANCE WITH STANDARDS PUBLISHED BY THE UNDERWRITER'S LABORATORIES, INC. INsofar AS APPLICABLE, AND THE LATEST EDITION OF THE NATIONAL ELECTRICAL CODE (NEC). CADDY CORPORATION DOES NOT ACCEPT ANY RESPONSIBILITY FOR THE REQUIREMENTS OF ANY REGIONAL AND/OR LOCAL CODES THAT ADD OR DEVIATED FROM THE ACCEPTED STANDARDS OF THE ABOVE AGENCIES. ANY FIELD WORK RELATING TO THE MODIFICATION OF ELECTRIC OR PLUMBING SYSTEMS, TO MEET REGIONAL OR LOCAL CODE REQUIREMENTS IS TO BE DONE BY OTHERS AND WITHOUT BACK CHARGES TO CADDY CORPORATION, UNLESS THESE CONDITIONS WERE PREVIOUSLY BROUGHT TO OUR ATTENTION AND ARE EXPRESSLY INCLUDED IN OUR WRITTEN QUOTATION. ALL WIRING AND PLUMBING AT THE JOB SITE IS THE RESPONSIBILITY OF OTHERS. EQUIPMENT WILL BE CONSTRUCTED IN ACCORDANCE WITH OUR DRAWING(S) WHICH MUST BE APPROVED PRIOR TO FABRICATION. ANY SUBSEQUENT CHANGES REQUIRED MUST BE SUBMITTED TO US IN WRITING AND ACKNOWLEDGED ON OUR STANDARD FORM.



REVISIONS			
REV	DATE	BY	REMARKS
A	1-6-06	BLW	FABRICATED PER APPROVED DRAWINGS

 509 SHARPTOWN ROAD P.O. BOX 345 BRIDGEPORT NJ 08014 Tel:(856) 467-4222 Fax:(856) 467-5511	
EQUIPMENT SCHEDULE	
FIELD WIRING REQUIREMENTS FOR THE UVC HOOD EQUIPMENT	
CADDY NO.	1952-4 ITEM NO. 34A
JOB:	JENNIE SMITH ELEM. SCHOOL
LOC:	NEWARK, DE
CUST:	CUST#:

DATE	07/20/05	SCALE	AS NOTED	DWG# D-1-1952	SHT 2 OF 5
DR BY	AGR	APP'D BY	<i>BJW</i>		

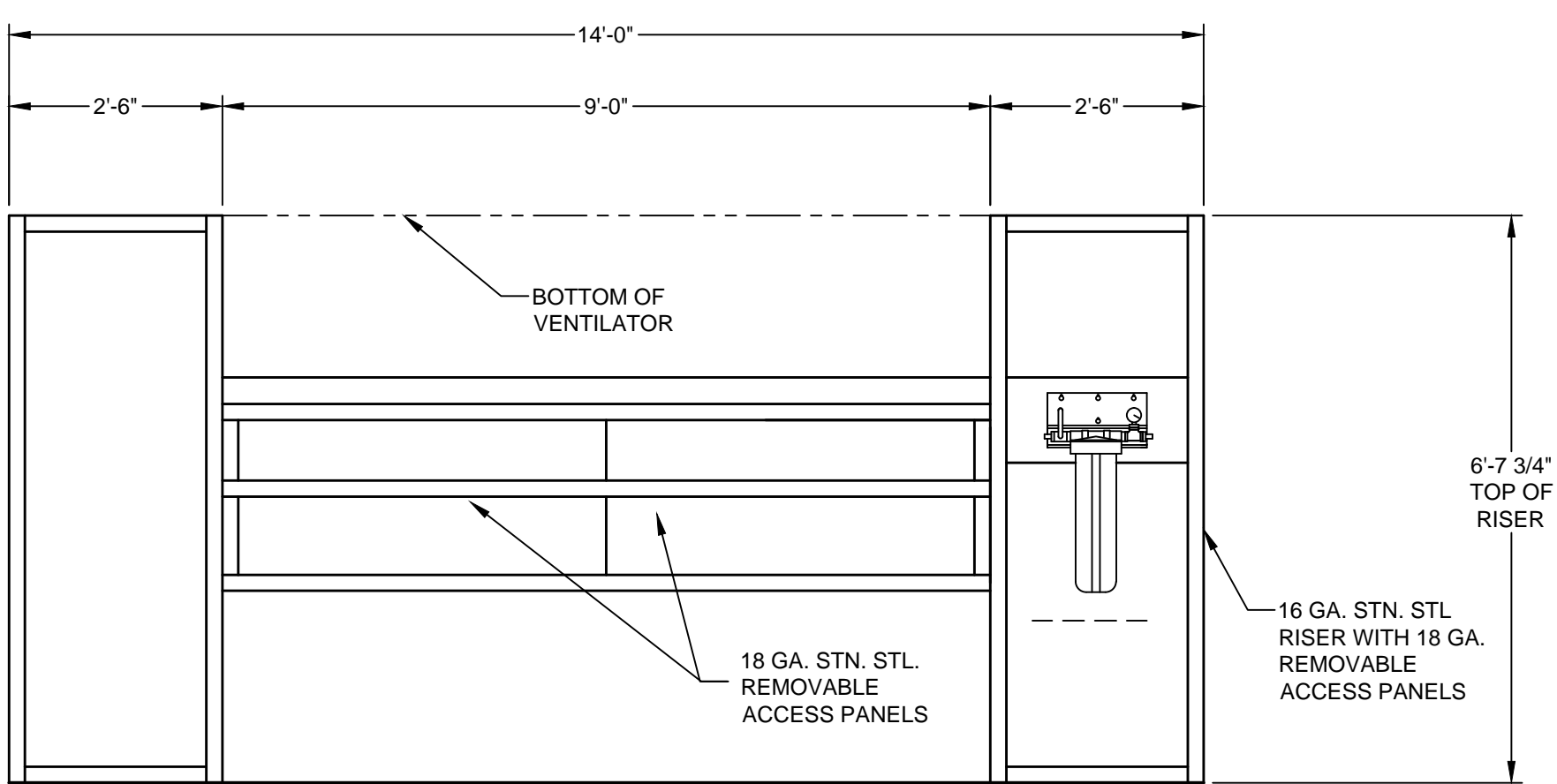


PLAN VIEW
SCALE: 1/2" = 1'-0"

WATER FILTER MODEL #BWG-12K TO BE FURNISHED BY K.E.C. AND INSTALLED BY CADDY AT TIME OF UDS MANUFACTURE.

* - WATER FILTER MODEL #BWG-12K TO BE HARD CONNECTED TO THE U.D.S. AT TIME OF UDS MANUFACTURING.

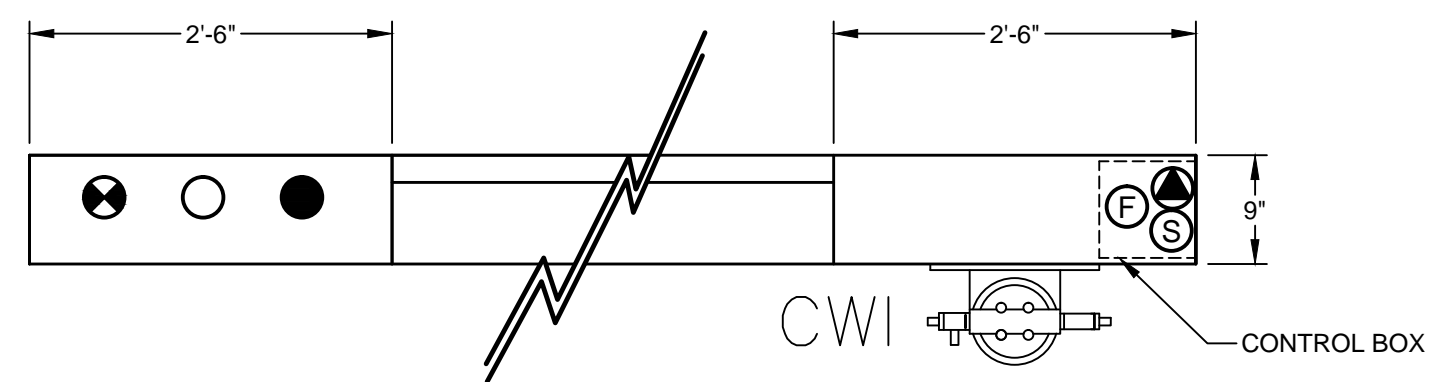
** - WATER FILTER MODEL #BWG-12K TO BE HARD CONNECTED TO KETTLE BY K.E.C. AT TIME OF UDS INSTALLATION.



ELEVATION VIEW
SCALE: 1/2" = 1'-0"

CODE COMPLIANCE

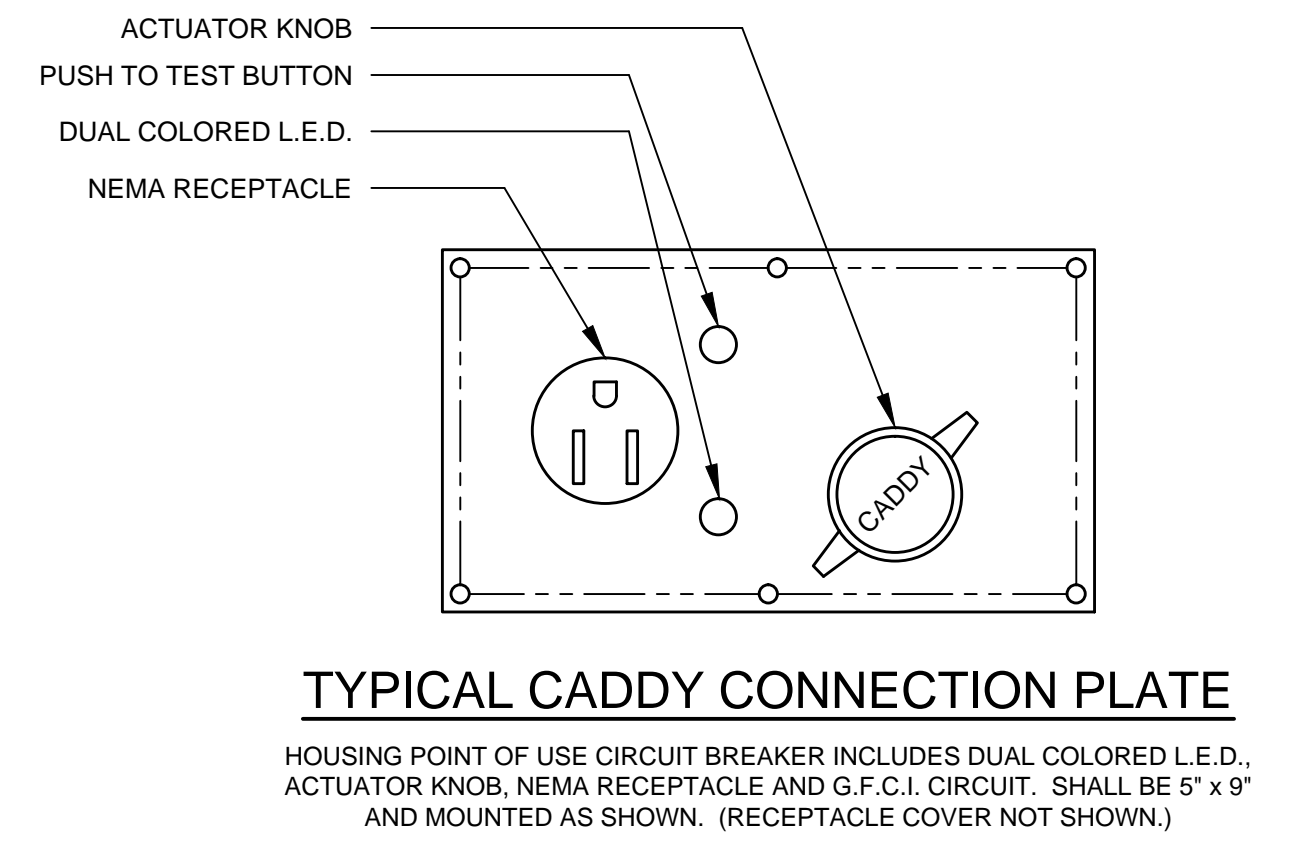
THE UTILITY DISTRIBUTION SYSTEM SHALL BE U.L. LISTED UNDER THE CATEGORY "UTILITY DISTRIBUTION SYSTEM" AND MANUFACTURED IN ACCORDANCE WITH THE NATIONAL ELECTRICAL CODE (NEC), NATIONAL ELECTRICAL MANUFACTURER'S ASSOCIATES (NEMA), NATIONAL FIRE PROTECTION ASSOCIATION (NFPA) PAMPHLET NUMBER 96 AND 54, UNIFORM PLUMBING CODE (UPC), AMERICAN SOCIETY OF MECHANICAL ENGINEERS (ASME), NATIONAL SANITATION FOUNDATION (NSF), AND OCCUPATIONAL SAFETY AND HEALTH ADMINISTRATION (OSHA) USING ONLY U.L. LISTED, BUREAU OF MINES RATES, AGA CERTIFIED AND CGA CERTIFIED COMPONENTS.



RISER DETAIL
SCALE: 3/4" = 1'-0"

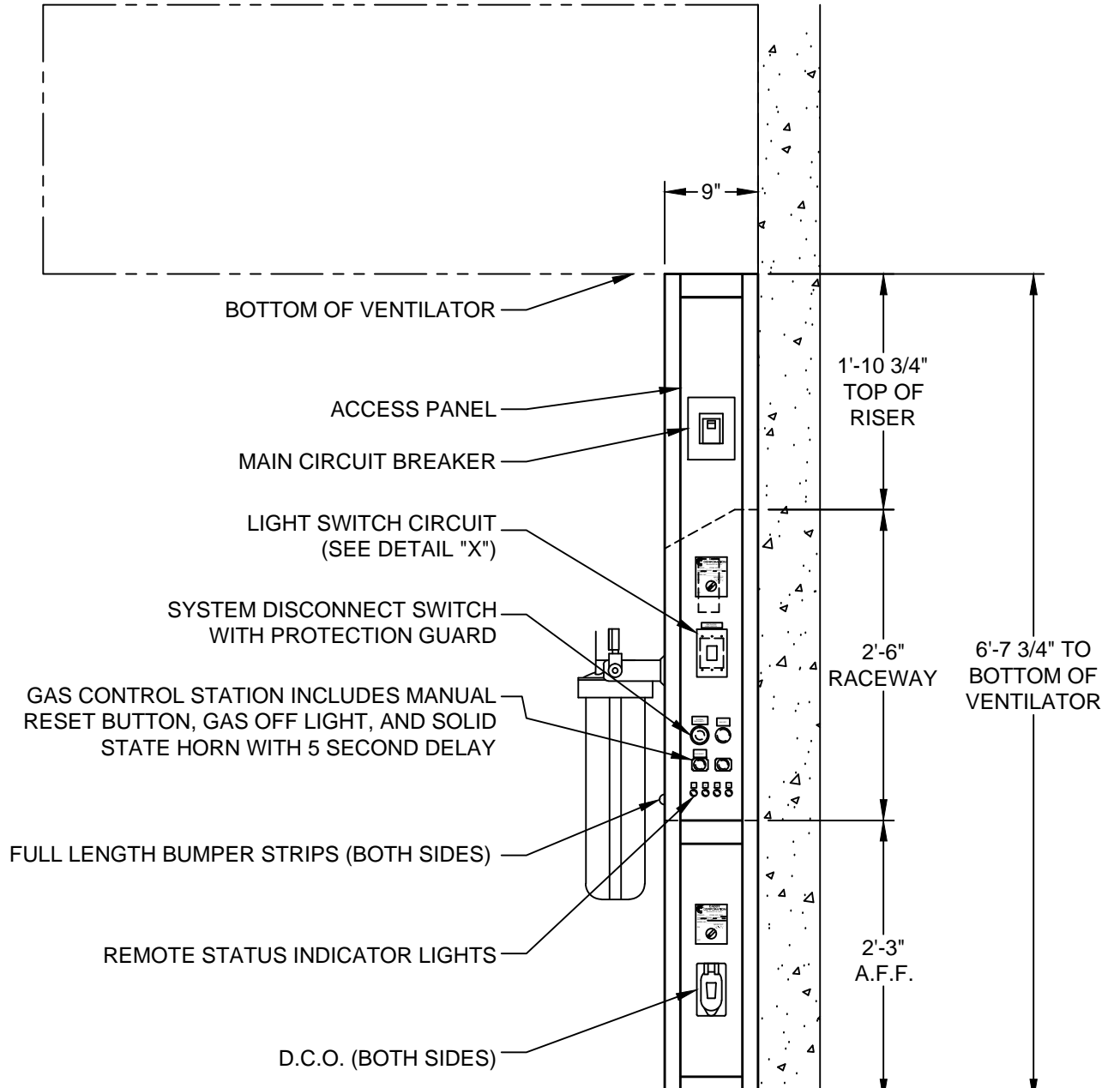
ALL UTILITIES INCLUDE 25% OVER-CAPACITY FOR FUTURE EXPANSION

NOTE:
MAIN CIRCUIT BREAKER FURNISHED AND INSTALLED BY CADDY.

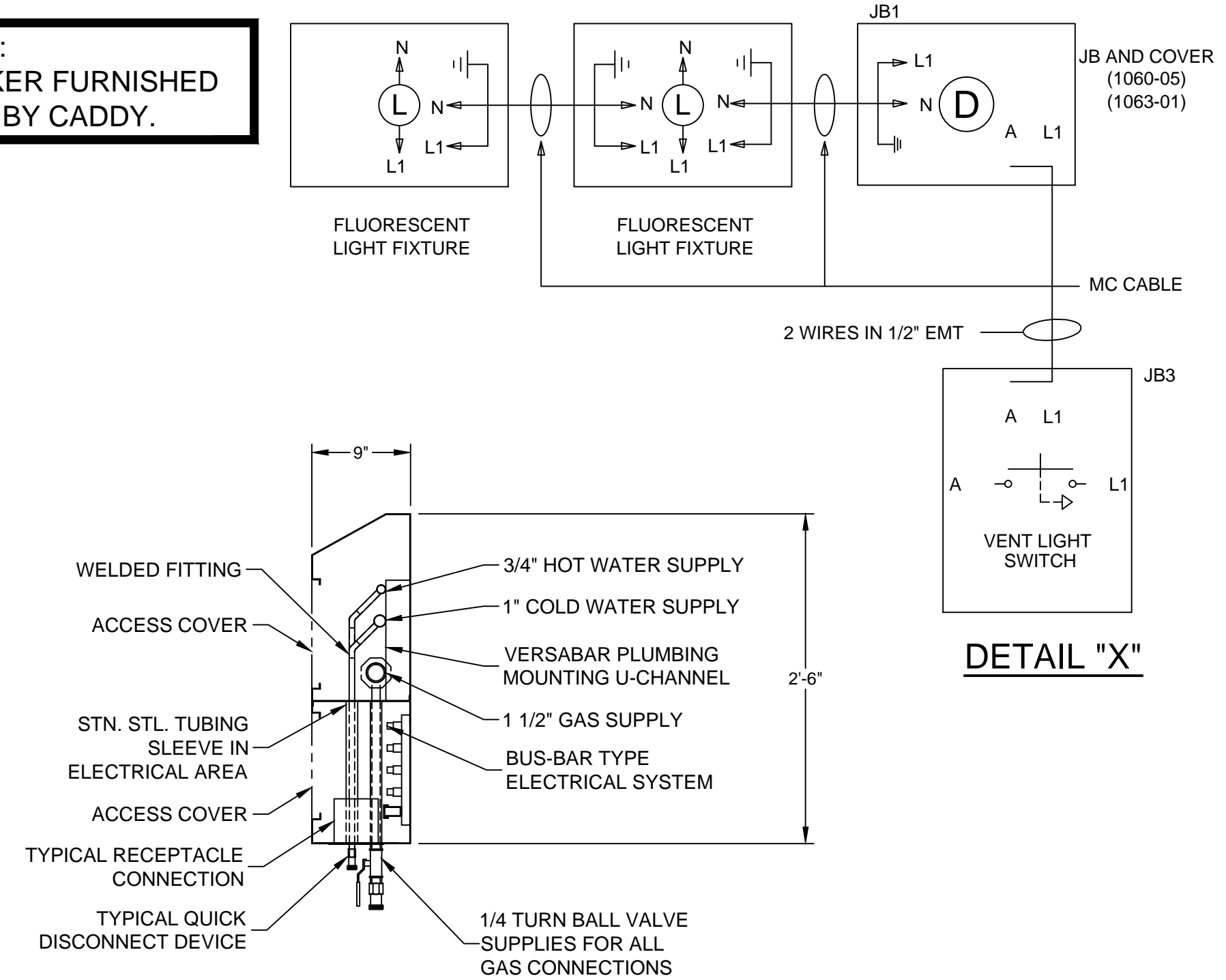


TYPICAL CADDY CONNECTION PLATE

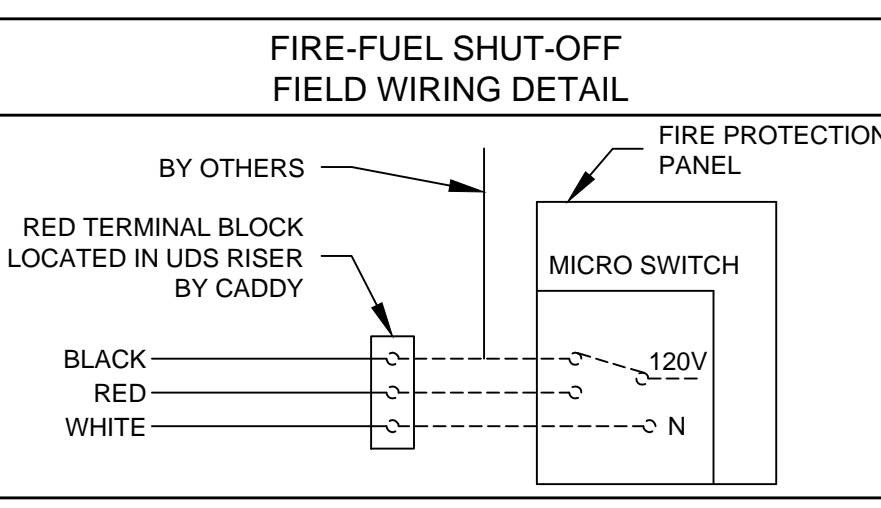
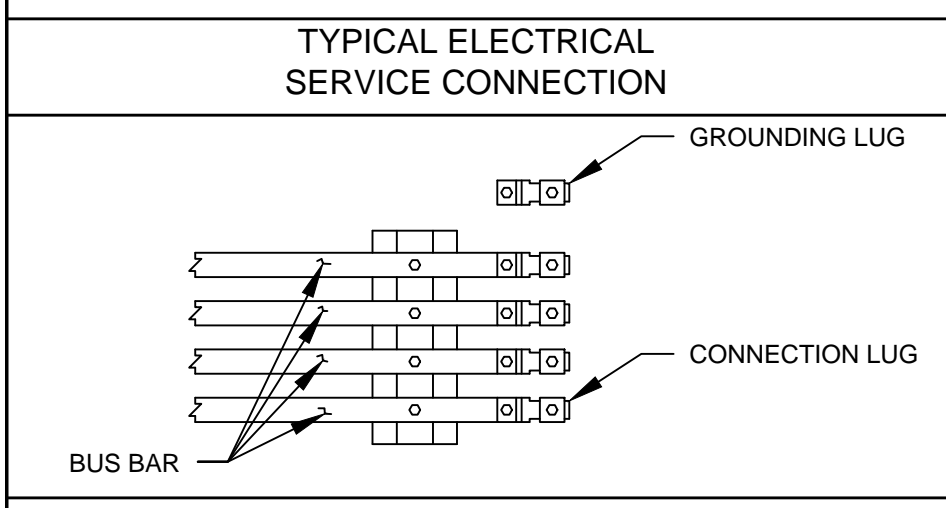
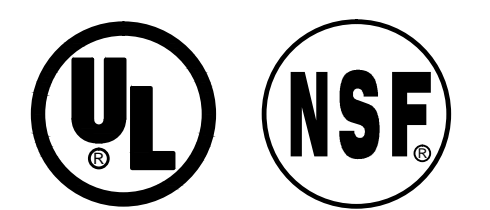
HOUSING POINT OF USE CIRCUIT BREAKER INCLUDES DUAL COLORED L.E.D., ACTUATOR KNOB, NEMA RECEPTACLE AND G.F.C.I. CIRCUIT. SHALL BE 5" x 9" AND MOUNTED AS SHOWN. (RECEPTACLE COVER NOT SHOWN.)



END VIEW Z-Z
SCALE: 3/4" = 1'-0"



SECTION Y-Y
SCALE: 1" = 1'-0"



NOTES

- THIS UNIT IS TO BE SHIPPED IN ONE (1) PIECE AS SHOWN IN PLAN VIEW. [] VERIFY FOR ENTRANCE INTO BUILDING AND UNIT AREA.
- [] VERIFY ROUGHING SCHEDULE.
- NAT'L SANITATION FOUNDATION-STANDARD #2-"FOOD SERVICE EQUIPMENT". UNIFORM BUILDING CODE (ICBO). UNDERWRITERS LAB INC., U.L. LISTED UNDER FILE #E60695.
- ALL "VERIFIES" ON THIS DRAWING MUST BE CONFIRMED. YOUR FABRICATION APPROVAL SHALL INDICATE YOUR ACCEPTANCE AS SHOWN.
- ELECTRICAL CONTRACTOR MUST ROUGH-IN UP TO THE BUS-BAR CONNECTION LUGS. APPROXIMATE 36" A.F.F.

ROUGH-IN SCHEDULE					
SYM	QTY	DESCRIPTION	PLEASE SPECIFY		
			CEILING	FLOOR	OTHER
⊕	1	120/208V, 3Ø, 60Hz., 50 AMPS			
⊗	1	1 1/2" GAS SUPPLY 656 MBH			
●	1	3/4" HOT WATER SUPPLY			
○	1	1" COLD WATER SUPPLY			
F	1	FIRE FUEL SHUT-OFF SEE DETAIL			
S	1	VENT. LIGHT SWITCH			

REVISIONS			
REV	DATE	BY	REMARKS
A	1-11-06	BAH	REVISED PER APPROVED DRAWINGS.

GENERAL CONTRACT CONDITIONS

ELECTRICAL WORK DONE BY CADDY CORPORATION IS EXECUTED IN COMPLIANCE WITH STANDARDS PUBLISHED BY THE UNDERWRITERS LABORATORIES, INC. INsofar AS APPLICABLE, AND THE LATEST EDITION OF THE NATIONAL ELECTRICAL CODE (NEC). CADDY CORPORATION DOES NOT ACCEPT ANY RESPONSIBILITY FOR THE REQUIREMENTS OF ANY REGIONAL AND/OR LOCAL CODES THAT ADD OR DEVIATE FROM THE ACCEPTED STANDARDS OF THE ABOVE AGENCIES. ANY FIELD WORK RELATING TO THE MODIFICATION OF ELECTRIC OR PLUMBING SYSTEMS, TO MEET REGIONAL OR LOCAL CODE REQUIREMENTS IS TO BE DONE BY OTHERS AND WITHOUT BACK CHARGES TO CADDY CORPORATION, UNLESS THESE CONDITIONS WERE PREVIOUSLY BROUGHT TO OUR ATTENTION AND ARE EXPRESSLY INCLUDED IN OUR WRITTEN QUOTATION.

ALL WIRING AND PLUMBING AT THE JOB SITE IS THE RESPONSIBILITY OF OTHERS. EQUIPMENT WILL BE CONSTRUCTED IN ACCORDANCE WITH OUR DRAWING(S) WHICH MUST BE APPROVED PRIOR TO FABRICATION. ANY SUBSEQUENT CHANGES REQUIRED MUST BE SUBMITTED TO US IN WRITING AND ACKNOWLEDGED ON OUR STANDARD FORM.

CADDY Air Systems
509 SHARPTOWN ROAD
P.O. BOX 345 BRIDGEPORT NJ 08014
Tel:(856) 467-4222 Fax:(856) 467-5511

EQUIPMENT SCHEDULE

UTILITY DISTRIBUTION SYSTEM
MODEL: CA-WL-EGW-014
14'-0" LONG

CADDY NO. 1952-3 ITEM NO. 35

JOB: JENNIE SMITH ELEM. SCHOOL
LOC: NEWARK, DE
CUST:
CUST#:

DWG# D-1-1952 SHT 3 OF 5

CONNECTION LEGEND			
E=ELECTRICAL	G=GAS	SS=SUPERSWIVEL	CF=CIMFAST
S=STEAM SUPPLY	R=STEAM RETURN	DS=DOUBLE SUPERSWIVEL	GF=GROUND FAULT
H=HOT WATER	C=COLD WATER	QD=QUICK DISCONNENT	HC=HARD CONN.

SCHEDULE OF UTILITY CONNECTIONS

CONN. NO.	ITEM NO.	EQUIPMENT DESCRIPTION	ELECTRICAL						GAS		STEAM			WATER		CONNECTIONS			FIRE-FUEL SHUTOFF	COLD WATER RETAINER DEVICE		
			KW	AMPS	VOLTS	Ø	BREAKER AMPS	NEMA NO.	OUTLET NO.	BTU'S PER HOUR	IPS	TRANSITION SIZE	LBS PER HOUR AT 40 PSI	SUPPLY IPS	RETURN IPS	TRANSITION SIZE	HOT	COLD			CONNECTION TYPE	CONN. LENGTH
1E	35	U.D.S. DUPLEX CONVENIENCE OUTLET	1.5	12	120	1	15	5-15R	5262									DIRECT		GF	X	
2		SPARE NUMBER																				
3E	39	BLODGETT BC-14G COMBI OVEN/STEAMER	.60	5	120	1	15	5-15R	5261								CORD & PLUG	6'-0"	GF	X		
4G	39	BLODGETT BC-14G COMBI OVEN/STEAMER								115,000	3/4"						HOSE	5'-0"	QD	X	X	
5C	39	BLODGETT BC-14G COMBI OVEN/STEAMER														3/4"	HOSE	5'-0"	QD			
6		SPARE NUMBER																				
7G	38	BLODGETT DFG-100 CONV. OVEN								110,000	3/4"						HOSE	5'-0"	QD	X	X	
8E	38	BLODGETT DFG-100 CONV. OVEN	.72	6	120	1	15	5-15R	5261								CORD & PLUG	6'-0"	GF	X		
9E	38	BLODGETT DFG-100 CONV. OVEN	.72	6	120	1	15	5-15R	5261								CORD & PLUG	6'-0"	GF	X		
10		SPARE NUMBER																				
11E	37	BLODGETT CB36G-6-6K KETTLE	.36	3	120	1	15	5-15R	5261								CORD & PLUG	6'-0"	GF	X		
12C**	37	BLODGETT CB36G-6-6K KETTLE													3/4**		DIRECT		HC			
13C	37	BLODGETT CB36G-6-6K KETTLE								300,000	1 1/4"						HOSE	5'-0"	QD	X	X	
14C*	37	BLODGETT CB36G-6-6K KETTLE													3/4***		DIRECT		HC			
15		SPARE NUMBER																				
16E	35	U.D.S. DUPLEX CONVENIENCE OUTLET	1.5	12	120	1	15	5-15R	5262								DIRECT		GF	X		
17E	35	VENTILATOR LIGHT SWITCH	1.5	12	120	1	15										DIRECT			X		

ALL UTILITIES INCLUDE 25% OVER-CAPACITY FOR FUTURE EXPANSION

WATER FILTER MODEL #BWG-12K TO BE FURNISHED BY K.E.C. AND INSTALLED BY CADDY AT TIME OF UDS MANUFACTURE.

* - WATER FILTER MODEL #BWG-12K TO BE HARD CONNECTED TO THE U.D.S. AT TIME OF UDS MANUFACTURING.

** - WATER FILTER MODEL #BWG-12K TO BE HARD CONNECTED TO KETTLE BY K.E.C. AT TIME OF UDS INSTALLATION.

NOTE:
MAIN CIRCUIT BREAKER FURNISHED AND INSTALLED BY CADDY.

NOTE:
PLEASE SPECIFY MAKE, MODEL NUMBER, ELECTRICAL AND PLUMBING CHARACTERISTICS OF ALL ITEMS PLUGGING INTO RACEWAY.

GENERAL CONTRACT CONDITIONS
ELECTRICAL WORK DONE BY CADDY CORPORATION IS EXECUTED IN COMPLIANCE WITH STANDARDS PUBLISHED BY THE UNDERWRITERS LABORATORIES, INC. INsofar AS APPLICABLE, AND THE LATEST EDITION OF THE NATIONAL ELECTRICAL CODE (NEC). CADDY CORPORATION DOES NOT ACCEPT ANY RESPONSIBILITY FOR THE REQUIREMENTS OF ANY REGIONAL AND/OR LOCAL CODES THAT ADD OR DEVIATED FROM THE ACCEPTED STANDARDS OF THE ABOVE AGENCIES. ANY FIELD WORK RELATING TO THE MODIFICATION OF ELECTRIC OR PLUMBING SYSTEMS, TO MEET REGIONAL OR LOCAL CODE REQUIREMENTS IS TO BE DONE BY OTHERS AND WITHOUT BACK CHARGES TO CADDY CORPORATION, UNLESS THESE CONDITIONS WERE PREVIOUSLY BROUGHT TO OUR ATTENTION AND ARE EXPRESSLY INCLUDED IN OUR WRITTEN QUOTATION. ALL WIRING AND PLUMBING AT THE JOB SITE IS THE RESPONSIBILITY OF OTHERS. EQUIPMENT WILL BE CONSTRUCTED IN ACCORDANCE WITH OUR DRAWING(S) WHICH MUST BE APPROVED PRIOR TO FABRICATION. ANY SUBSEQUENT CHANGES REQUIRED MUST BE SUBMITTED TO US IN WRITING AND ACKNOWLEDGED ON OUR STANDARD FORM.

ALL UTILITIES DOWN FROM ABOVE

ELECTRICAL CONTRACT REQUIREMENTS

- INSPECT FOR LOOSE CONNECTIONS (CAUSED BY SHIPPING) AND TIGHTEN AS REQUIRED.
- PROVIDE AND INSTALL MAIN SERVICE FEEDER AND OVERCURRENT PROTECTION DEVICES RATED AT A CONTINUOUS OPERATING LOAD FOR EACH ELECTRICAL ROUGHING. SIZES INDICATED HAVE BEEN CALCULATED AT 125% OF THEIR CONTINUOUS LOAD. THIS ALLOWS FOR DERATING PER N.E.C.
- INSTALL ELECTRICAL SERVICE FROM STUB-IN LOCATION (SEE SHEET 1) TO CADDY TERMINALS. PROVIDE CONDUIT AND WIRING
- PROVIDE AND INSTALL 120V 1PH FIRE-FUEL SHUT-OFF CIRCUIT IN 1/2" CONDUIT FROM FIRE EXTINGUISHING SYSTEM IN BUILDING TO RED TERMINAL BLOCK IN CADDY UTILITY DISTRIBUTION SYSTEM. CIRCUIT POWER AND BREAKER SUPPLIED BY OTHERS EXTERNAL OF RACEWAY.

PLUMBING CONTRACT REQUIREMENTS

- PROVIDE AND INSTALL SERVICE SUPPLY PIPES FROM STUB-IN LOCATION TO PIPES IN CADDY ENERGY DISTRIBUTION SYSTEM FOR EACH PLUMBING ROUGHING.
- INSTALL CADDY HOSE ASSEMBLIES FROM CADDY ENERGY DISTRIBUTION SYSTEM TO APPROPRIATE PIECES OF EQUIPMENT PER THIS SUBMISSION DRAWING. PROVIDE AND INSTALL NECESSARY PLUMBING FITTINGS TO PRESENT A NEAT APPEARANCE AND TO INSURE THAT CADDY HOSE ASSEMBLIES DO NOT TOUCH THE FLOOR.
- TEST INTERNAL PIPING SYSTEM FOR LEAKS (CAUSED BY SHIPPING) AND TIGHTEN AS REQUIRED.
- PROVIDE AND INSTALL PRESSURE REGULATORS FOR APPROPRIATE EQUIPMENT, IF NECESSARY.

INSTALLATION NOTES:

- GENERAL CONDITIONS:**
- ALL U.D.S. ELECTRIC AND PLUMBING WORK COMPLIES WITH THE FOLLOWING CODES: UNDERWRITERS LABORATORY STANDARDS, NATIONAL ELECTRICAL CODE, NATIONAL FIRE PROTECTION ASSOCIATION (NFPA), NO. 54, AND NO. 96, AMERICAN GAS ASSOCIATION, AND OCCUPATIONAL SAFETY AND HEALTH ADMINISTRATION.
 - ANY VARIANCES WITH CODES LISTED ABOVE MUST BE MADE KNOWN TO U.D.S. MANUFACTURER PRIOR TO FABRICATION.
 - SIZE OF BUS-BARS ON TOTAL CONNECTED LOAD AS SHOWN IN SCHEDULE, U.D.S. MANUFACTURER MUST BE NOTIFIED, PRIOR TO FABRICATION, IF ADDITIONAL LOADS ARE REQUIRED; IT WILL BE THE OPTION OF THE U.D.S. MANUFACTURER TO ACCEPT OR REJECT THE CHANGES.
 - U.D.S. MANUFACTURER WILL VOID ALL GUARANTEES, AND WILL NOT BE HELD RESPONSIBLE FOR CONTINUED SAFE ELECTRICAL OPERATION, IF FOOD SERVICE EQUIP. CONTRACTOR ADDS ELECTRICAL ASSEMBLIES EXCEEDING BUS-BAR CAPACITY, AFTER UTILITY DISTRIBUTION SYSTEM HAS LEFT THE FACTORY.
 - UTILITY DISTRIBUTION MANUFACTURER IS ONLY RESPONSIBLE FOR WIRING AND PLUMBING FURNISHED AS PART OF THE UTILITY DISTRIBUTION SYSTEM, ANY ADDITIONAL WIRING AND PLUMBING AT THE INSTALLATION SITE IS THE RESPONSIBILITY OF THE FOOD SERVICE EQUIP. CONTRACTOR.
 - THE UTILITY DISTRIBUTION SYSTEMS EXTERNAL ENCLOSURE SHALL BE FABRICATED FROM NO. 16 GAUGE, NO.304 STAINLESS STEEL HAVING A NO. 4 FINISH UNLESS OTHERWISE SPECIFIED.
 - GROUND FAULT INTERRUPTION FOR PERSONNEL PROTECTION TO BE PROVIDED FOR SINGLE AND TWO POLE BREAKERS 120/208-1 PHASE UP TO 30 AMPS. BY U.D.S. MANUFACTURER.
 - PLUMBING TRANSITIONS FROM U.D.S. MANUFACTURER SUPPLIED GAS HOSES TO F.S.E.C. VERIFIED EQUIPMENT SHALL BY INSTALLED ON HOSES AT TIME OF FABRICATION.

FOOD SERVICE EQUIP. CONTRACTOR:

- VERIFY MAKE MODEL AND UTILITY REQUIREMENTS FOR ALL EQUIPMENT LISTED ON SCHEDULE. ALSO SUBMIT CUT SHEETS.
- INDICATE FIELD JOINT LOCATION(S), IF REQUIRED, TO ACCOMMODATE FOR BUILDING ENTRANCE, AND INSTALLATION AREA.
- VERIFY ALL ROUGH-IN REQUIREMENTS OF UTILITY DISTRIBUTION SYSTEM.
- INDICATE ELECTRICAL REQUIREMENTS FOR VENTILATOR EXHAUST AND SUPPLY BLOWER(S).
- ALL U.D.S. MANUFACTURERS DRAWINGS MUST BE SUBMITTED TO LOCAL ELECTRICAL AND PLUMBING AGENCIES FOR APPROVAL PRIOR TO FABRICATION.
- THE DIMENSIONS SHOWN, UNLESS CORRECTED, SHALL BE DEEMED CORRECT UPON RECEIPT OF APPROVAL DRAWING(S).
- ASSEMBLE AND SET UTILITY DISTRIBUTION SYSTEM.
- REMOVE AND REPLACE ALL ACCESS PANELS AND ENCLOSURES SO FIELD SPLICES AND CONNECTIONS CAN BE MADE BY OTHER TRADES.
- CONNECT GAS OPERATED FOOD SERVICE EQUIPMENT WITH EQUIPMENT RETRAINING DEVICES AS PROVIDED WITH THE UTILITY DISTRIBUTION SYSTEM AND ADJUST HOSE LENGTH SO RETAINERS OPERATE EFFECTIVELY.

ELECTRICAL CONTRACTOR:

- INSTALL ELECTRICAL SERVICE TO U.D.S. TERMINAL BLOCKS OR CONNECTING LUGS AS INDICATED ON OUR DRAWINGS.
- CONNECT ALL ELECTRICAL FIELD JOINTS (WHICH INCLUDE RECONNECTING QUICK DISCONNECT SNAP PLUG-IN CONNECTORS FOR CONTROL WIRING AND BOLT IN BUS-BAR SPLICES SUPPLIED WITH THE U.D.S. WHEN APPLICABLE).
- CONNECT FROM FIRE EXTINGUISHING SYSTEMS MICRO-SWITCH OR RELAY TO U.D.S. TERMINAL STRIP.
- RECONNECT MAIN FEED WIRE SEALTIGHT AND ENCLOSED WIRES FROM MAIN CIRCUIT BREAKER TO RACEWAY BUS-BAR FOLLOWING WIRING COLOR CODE.
- CONNECT ALL ELECTRICAL ASSEMBLIES TO FOOD SERVICE EQUIPMENT JUNCTION BOXES, AND TO UTILITY DISTRIBUTION SYSTEM.
- INSPECT FOR, AND TIGHTEN ANY LOOSE CONNECTIONS CAUSED BY SHIPPING.
- CONNECT LOAD SIDE OF OPTIONAL MAGNETIC STARTER(S) IN VERTICAL CHASE TO EXHAUST AND SUPPLY FAN MOTOR(S).
- CONNECT VENTILATOR LIGHT SWITCH(ES) IN VERTICAL CHASE TO JUNCTION BOX(ES) ON VENTILATOR.
- ROVIDE FIELD SERVICE ENTRANCE KNOCKOUTS AS REQUIRED.
- PROVIDE PROPER SERVICE FEEDS AND NECESSARY OVER CURRENT PROTECTION DEVICES IN ACCORDANCE WITH APPLICABLE CODES.
- ALL CORDS WITH PLUGS ARE LIMITED BY CODES IN MOST AREAS TO 6'-0" MAXIMUM IN LENGTH. WHERE THIS IS EXCEEDED THE ELECTRICIAN MUST EXTEND THE FEEDS TO ACCOMMODATE THIS CONDITION.


PLUMBING CONTRACTOR:

- INSTALL U.D.S. FLEXIBLE DRAIN LINE(S) FROM VENTILATOR TO FLOOR FUNNEL TYPE DRAIN(S).
- CONNECT ALL INCOMING SERVICE PIPING TO VERTICAL CHASE AS SHOWN ON U.D.S. MANUFACTURERS DRAWINGS.
- CONNECT ALL PLUMBING FIELD JOINTS IN UTILITY DISTRIBUTION SYSTEM.
- CONNECT ALL FLEXIBLE HOSE ASSEMBLIES TO FOOD SERVICE EQUIPMENT, AND TO UTILITY DISTRIBUTION SYSTEM.
- INSPECT FOR, AND TIGHTEN ANY LOOSE PLUMBING CONNECTIONS CAUSED BY SHIPPING.
- PROVIDE ALL NECESSARY FITTINGS AND REDUCERS REQUIRED TO OPERATE EQUIPMENT SERVICED BY UTILITY DISTRIBUTION SYSTEM.
- ALL HOSES ARE LIMITED BY CODE IN MOST AREAS TO 6'-0" MAXIMUM LENGTH. WHERE THIS IS EXCEEDED THE PLUMBER MUST EXTEND THE FEEDS TO ACCOMMODATE THIS CONDITION.
- PLUMBING MATERIAL REQUIRED TO CONNECT FROM THE COOKING EQUIPMENT TO THE U.D.S. HOSES SHALL BE FURNISHED AND INSTALLED BY THE PLUMBING CONTRACTOR. THE U.D.S. MANUFACTURER IS NOT RESPONSIBLE FOR THIS EXPENSE.
- PRESSURE CHECK ALL PLUMBING LINES AFTER ALL OF THE U.D.S. FIELD JOINTS HAVE BEEN MADE UP. THE U.D.S. MANUFACTURER IS NOT RESPONSIBLE FOR THIS CHECK OUT OR ANY INCURRED EXPENSES.
- CONNECT ALL PLUMBING TRANSITIONS ON U.D.S. MANUFACTURER SUPPLIED HOSES TO F.S.E.C. VERIFIED EQUIPMENT.

EQUIPMENT NOTES:

- 120/208 3 PHASE POWER MUST BE THE WYE STYLE CONFIGURATION (DELTA CONFIGURATION WOULD NOT APPLY).
- MAIN BREAKER INSIDE U.D.S. IS TO HAVE A SHUNT TRIP OPTION.
- ALL WIRING TO BE THHN.

REVISIONS			
REV	DATE	BY	REMARKS
A	1-11-06	BAH	REVISED PER APPROVED DRAWINGS.



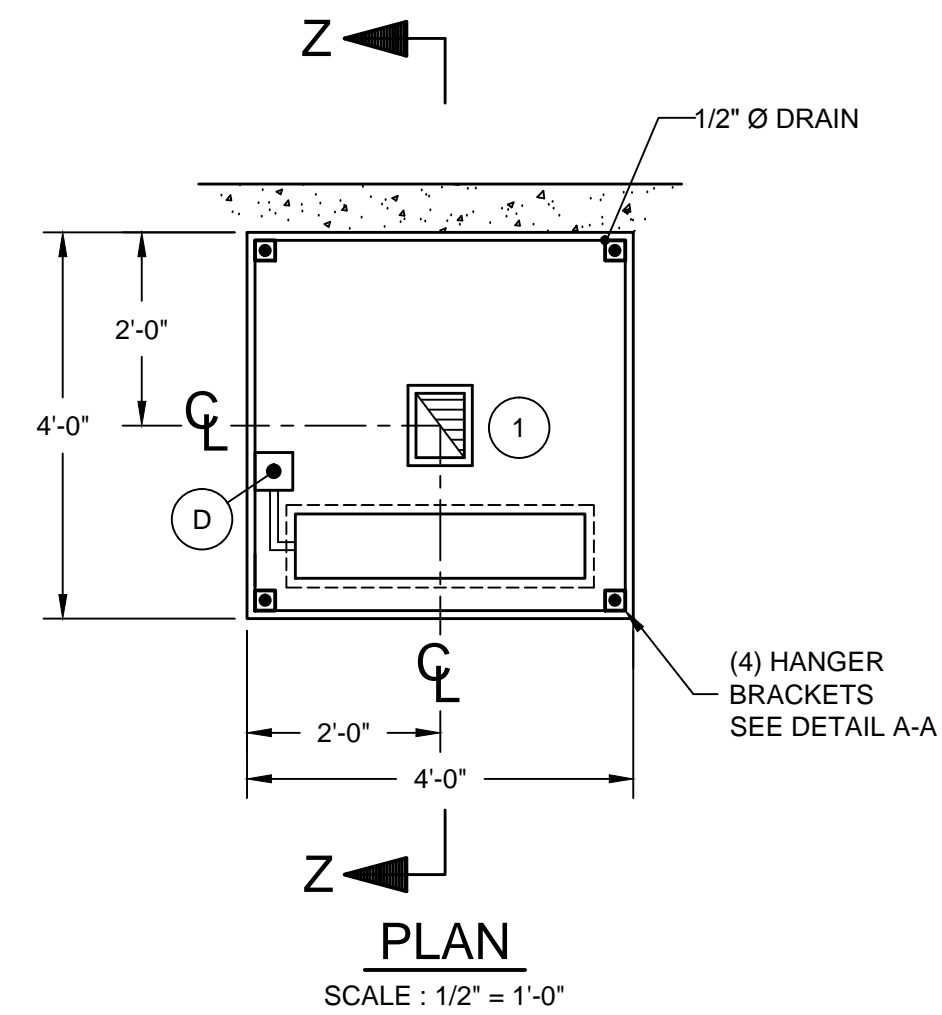
509 SHARPTOWN ROAD
P.O. BOX 345 BRIDGEPORT NJ 08014
Tel:(856) 467-4222 Fax:(856) 467-5511

EQUIPMENT SCHEDULE	
UTILITY DISTRIBUTION SYSTEM MODEL: CA-WL-EGW-014 14'-0" LONG	
CADDY NO. 1952-3	ITEM NO. 35
JOB: JENNIE SMITH ELEM. SCHOOL LOC: NEWARK, DE CUST: CUST#:	

DATE	07/20/05	SCALE	AS NOTED
DR BY	AGR	APP BY	

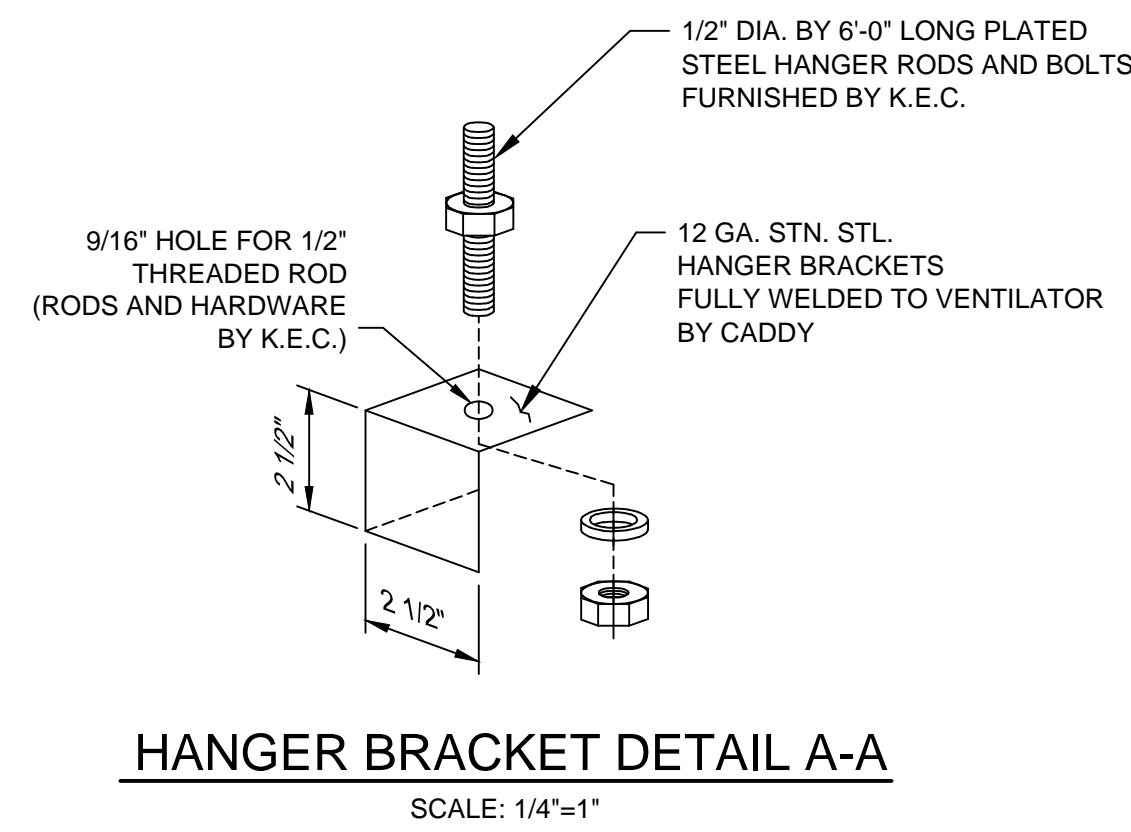
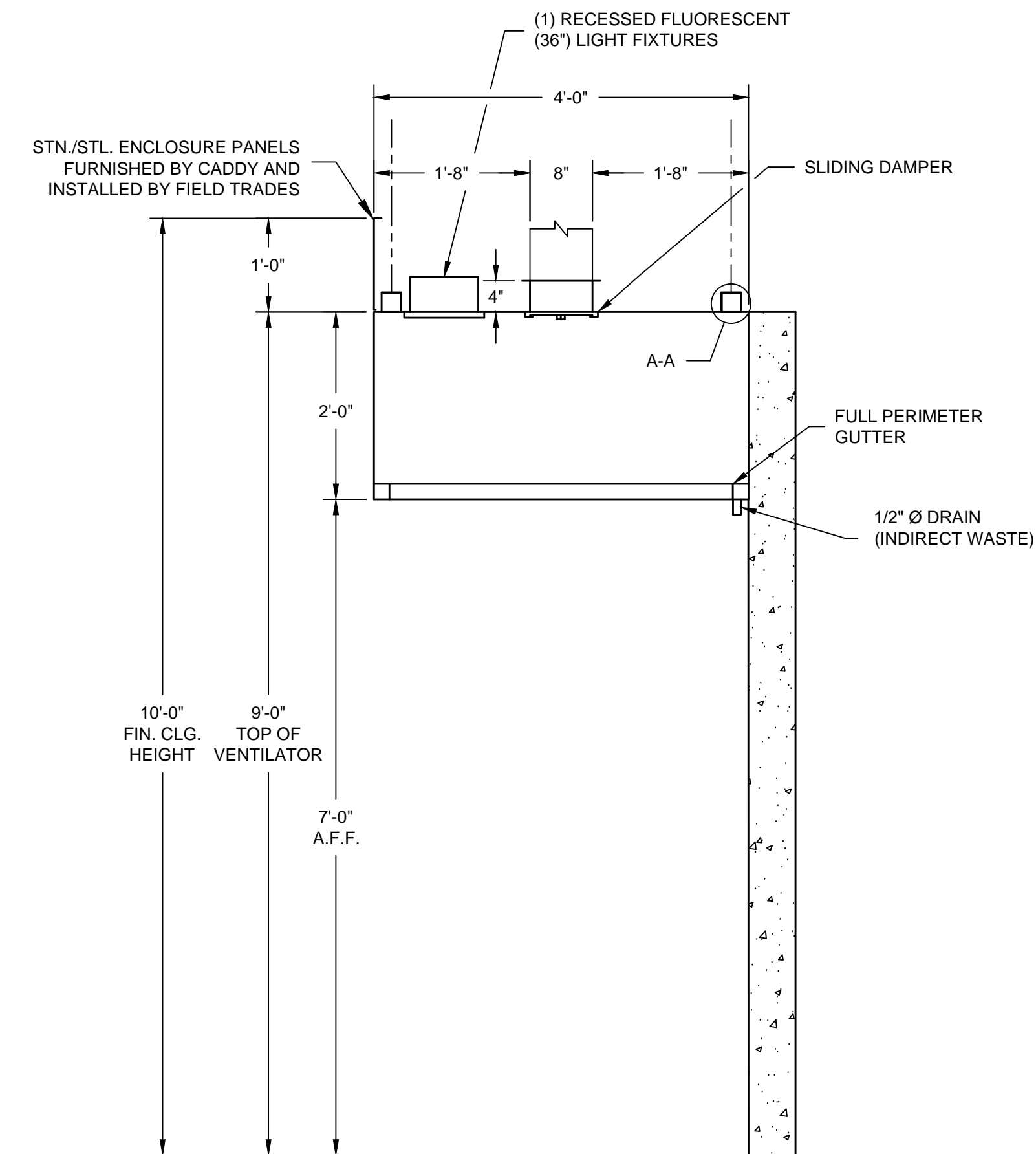
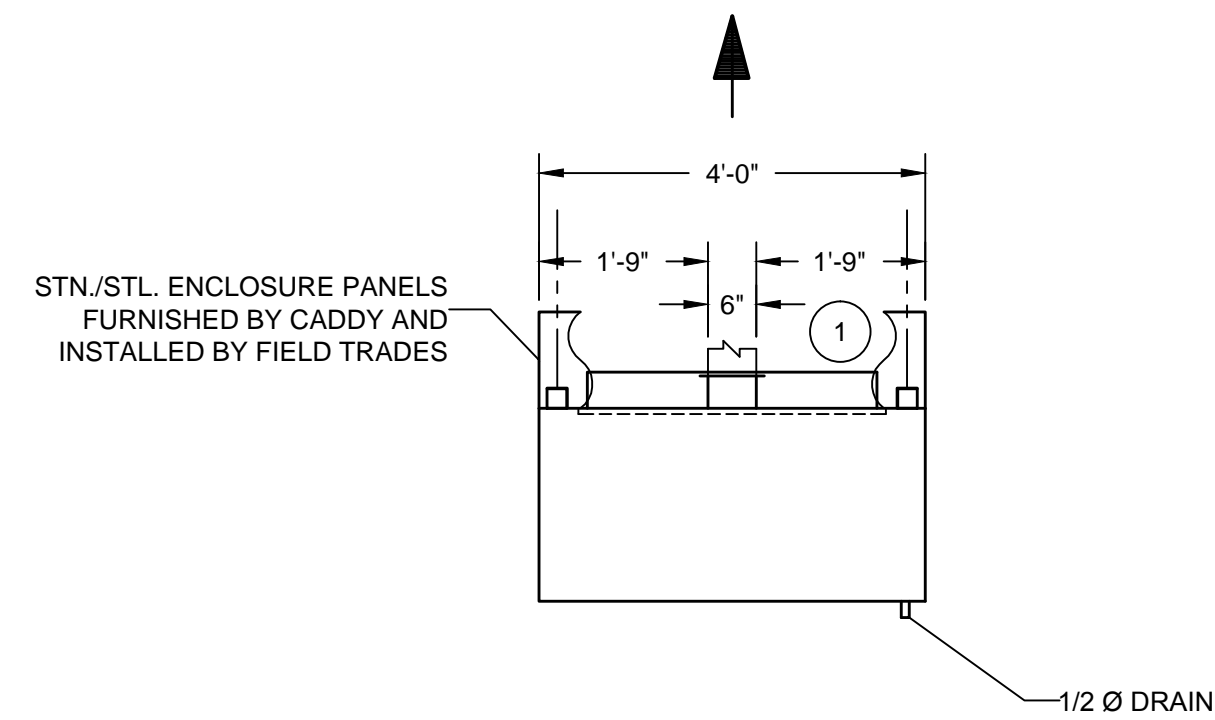
DWG# D-1-1952

SHT 4
OF 5



TOTAL EXHAUST : 600 C.F.M.

1 6" X 8" EXHAUST DUCT
600 C.F.M. @ 0.25" S.P.



INSTALLATION INFORMATION

ALLOW SUFFICIENT ACCESS TO BRING VENTILATOR INTO KITCHEN AREA. MAXIMUM VENTILATOR DIMENSIONS 4'-0" LONG x 4'-0" WIDE x 28" HIGH. ESTIMATED HANGING WEIGHT: 250 LBS.

VENTILATOR TO BE SHIPPED IN (1) UNIT. ALL PLUMBING AND ELECTRICAL DISCONNECTED FOR SHIPMENT. RECONNECTED IN FIELD BY PLUMBING AND ELECTRICAL CONTRACTORS.

NOTES

- AIR SYSTEMS SHALL NOT BE LIABLE FOR IMPROPER FUNCTION DUE TO CHANGE IN STATIC PRESSURE OR AIR VOLUMES SPECIFIED.
- ALL DIMENSIONS TO BE VERIFIED IN FIELD BY OTHERS BEFORE VENTILATOR(S) ARE RELEASED FOR MANUFACTURE.
- INDICATE ALL BEAMS, COLUMNS, ETC. WHICH MAY CONFLICT WITH VENTILATOR OR EXHAUST OUTLET COLLAR(S) (INDICATE SIZE, LOCATION, AND HEIGHT ABOVE FINISHED FLOOR.)
- INSTALLING CONTRACTOR SHALL CHECK ALL BUILDING ACCESS, ENTRANCE AND FIELD CONDITIONS TO ENSURE SUFFICIENT CLEARANCE TO ALLOW VENTILATOR SECTION(S) (SIZE(S) AS DIMENSIONED ON THIS DRAWING) TO BE BROUGHT INTO BUILDING AND INSTALLED ACCORDING TO AIR SYSTEMS RECOMMENDATIONS.
- ALL EXHAUST DUCT COLLARS ARE INSIDE DIMENSIONS. CONNECTION DUCTWORK SHALL SLEEVE INTO VENTILATOR OUTLET(S).
- ALL DUCTWORK BEYOND THE VENTILATOR OR EXHAUST DUCT COLLAR(S) TO BE PROVIDED AND INSTALLED BY OTHERS IN ACCORDANCE WITH JURISDICTIONAL CODES, AND MUST BE MECHANICALLY STRONG, AND GREASE AND WATER TIGHT.
- VENTILATOR(S) SHALL BE N.S.F. APPROVED AND SHALL BEAR N.S.F. LABELS VISIBLY AFFIXED TO EXTERIOR.

REVISIONS

REV	DATE	BY	REMARKS
A	1-5-06	BJW	FABRICATED PER APPROVED DRAWINGS

THE CADDY VENTILATOR TESTING, LISTING AND APPROVAL REFERENCES:

NATIONAL SANITATION FOUNDATION
Standard #2 - "Food Service Equipment"



CADDY AirSystems
509 SHARPTOWN ROAD
P.O. BOX 345 BRIDGEPORT NJ 08014
Tel:(856) 467-4222 Fax:(856) 467-5511

EQUIPMENT SCHEDULE

CH-C-W-48-SD-48

CADDY NO. 1952-1 ITEM NO. 20

JOB: JENNIE SMITH ELEM. SCHOOL
LOC: NEWARK, DE
CUST:
CUST#:

DATE	07/20/05	SCALE	AS NOTED
DR BY	AGR	APP'D BY	BJW

DWG# D-1-1952

SHT 5
OF 5

GENERAL CONTRACT CONDITIONS
ELECTRICAL WORK DONE BY CADDY CORPORATION OF AMERICA IS EXECUTED IN COMPLIANCE WITH STANDARDS PUBLISHED BY THE UNDERWRITER'S LABORATORIES, INC. INsofar AS APPLICABLE, AND THE LATEST EDITION OF THE NATIONAL ELECTRICAL CODE (N.E.C.), CADDY CORPORATION OF AMERICA DOES NOT ACCEPT ANY RESPONSIBILITY FOR THE REQUIREMENTS OF ANY REGIONAL AND/OR LOCAL CODES THAT ADD OR DEVIATE FROM THE ACCEPTED STANDARDS OF THE ABOVE AGENCIES. ANY FIELD WORK RELATING TO THE MODIFICATION OF ELECTRIC OR PLUMBING SYSTEMS TO MEET REGIONAL OR LOCAL CODE REQUIREMENTS IS TO BE DONE BY OTHERS AND WITHOUT BACK CHARGE TO CADDY CORPORATION OF AMERICA. UNLESS THESE CONDITIONS WERE PREVIOUSLY BROUGHT TO OUR ATTENTION AND ARE EXPRESSLY INCLUDED IN OUR WRITTEN QUOTATION. ALL WIRING AND PLUMBING AT THE JOB SITE IS THE RESPONSIBILITY OF OTHERS. EQUIPMENT WILL BE CONSTRUCTED IN ACCORDANCE WITH OUR DRAWINGS(S) WHICH MUST BE APPROVED PRIOR TO FABRICATION. ANY SUBSEQUENT CHANGES REQUIRED MUST BE SUBMITTED TO US IN WRITING AND ACKNOWLEDGED ON OUR STANDARD FORM.