

MOUNTING DETAIL
SCALE: 3/4"=1'-0"

GENERAL CONTRACT CONDITIONS
ELECTRICAL WORK DONE BY CADDY CORPORATION IS EXECUTED IN COMPLIANCE WITH STANDARDS PUBLISHED BY THE UNDERWRITER'S LABORATORIES, INC. INSOFAR AS APPLICABLE, AND THE LATEST EDITION OF THE NATIONAL ELECTRICAL CODE (NEC). CADDY CORPORATION DOES NOT ACCEPT ANY RESPONSIBILITY FOR THE REQUIREMENTS OF ANY REGIONAL AND/OR LOCAL CODES THAT ADD OR DEVIATED FROM THE ACCEPTED STANDARDS OF THE ABOVE AGENCIES. ANY FIELD WORK RELATING TO THE MODIFICATION OF ELECTRIC OR PLUMBING SYSTEMS, TO MEET REGIONAL OR LOCAL CODE REQUIREMENTS IS TO BE DONE BY OTHERS AND WITHOUT BACK CHARGES TO CADDY CORPORATION, UNLESS THESE CONDITIONS WERE PREVIOUSLY BROUGHT TO OUR ATTENTION AND ARE EXPRESSLY INCLUDED IN OUR WRITTEN QUOTATION.
ALL WIRING AND PLUMBING AT THE JOB SITE IS THE RESPONSIBILITY OF OTHERS. EQUIPMENT WILL BE CONSTRUCTED IN ACCORDANCE WITH OUR DRAWING(S) WHICH MUST BE APPROVED PRIOR TO FABRICATION. ANY SUBSEQUENT CHANGES REQUIRED MUST BE SUBMITTED TO US IN WRITING AND ACKNOWLEDGED ON OUR STANDARD FORM.

DIMENSIONAL DATA	
LENGTH OF FILTER UNIT	4'-4 1/2"
LENGTH OF MOTOR UNIT	4'-9 3/8"
WIDTH OF FILTER/ODOR UNIT	5'-5"
WIDTH OF MOTOR UNIT	5'-5"
HEIGHT OF FILTER/ODOR UNIT	3'-0"
HEIGHT OF MOTOR UNIT	3'-0"

"PURE-AIR" GREASE & ODOR REDUCTION SYSTEM
4,480 CFM

REVISIONS			
REV	DATE	BY	REMARKS
A	5-5-04	BJW	REVISED PER INSTRUCTIONS ON 5-5-04
B	5-11-04	AGR	REVISED CAS-KEF

CADDY AirSystems
509 SHARPTOWN ROAD
P.O. BOX 345 BRIDGEPORT NJ 08014
Tel:(856) 467-4222 Fax:(856) 467-5511

EQUIPMENT SCHEDULE

CAS-KEF-5000
ISOMETRIC WITHOUT ODOR

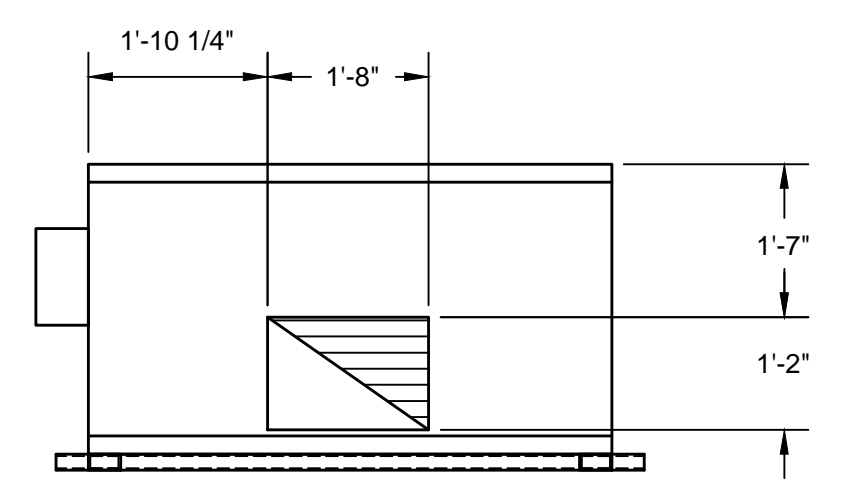
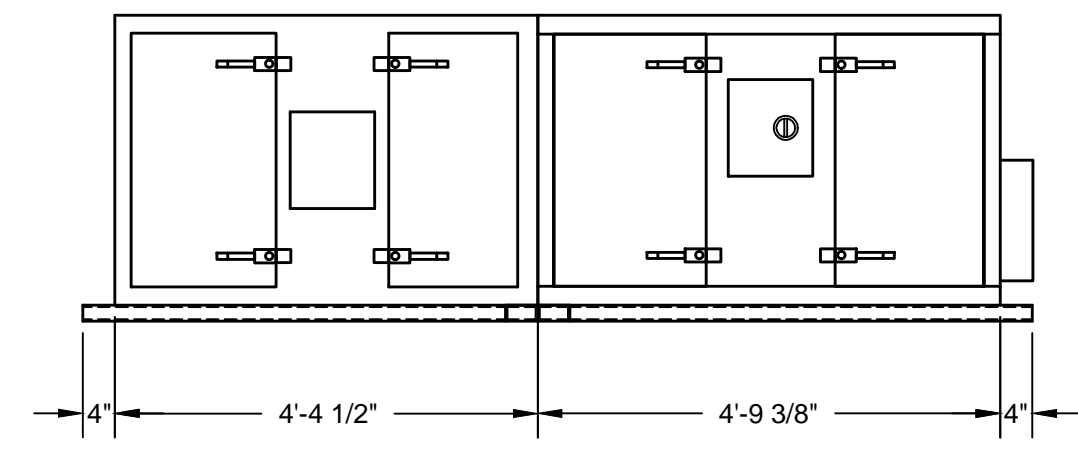
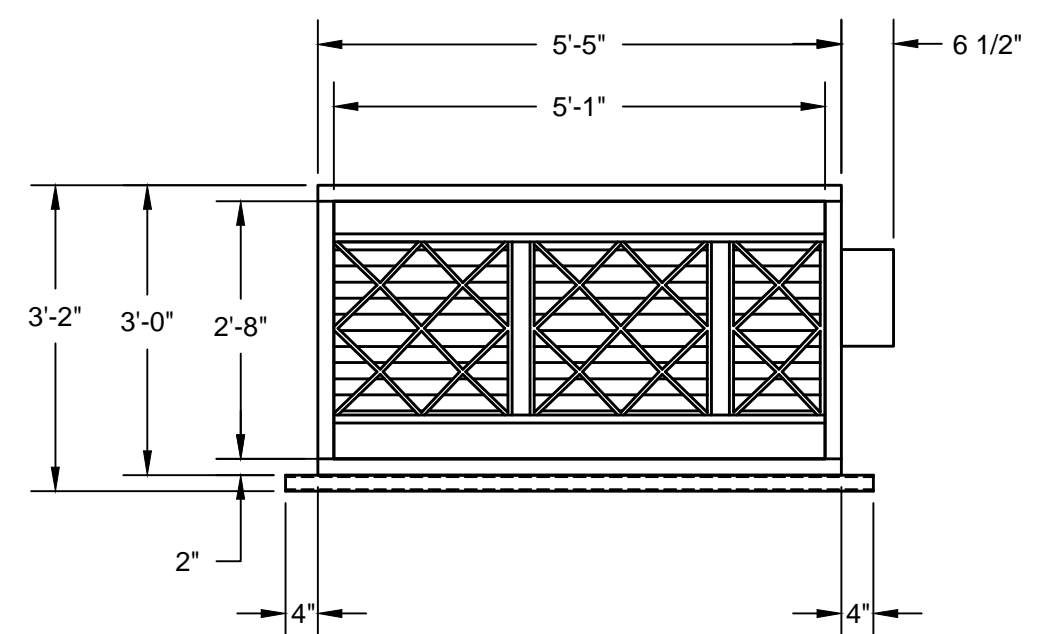
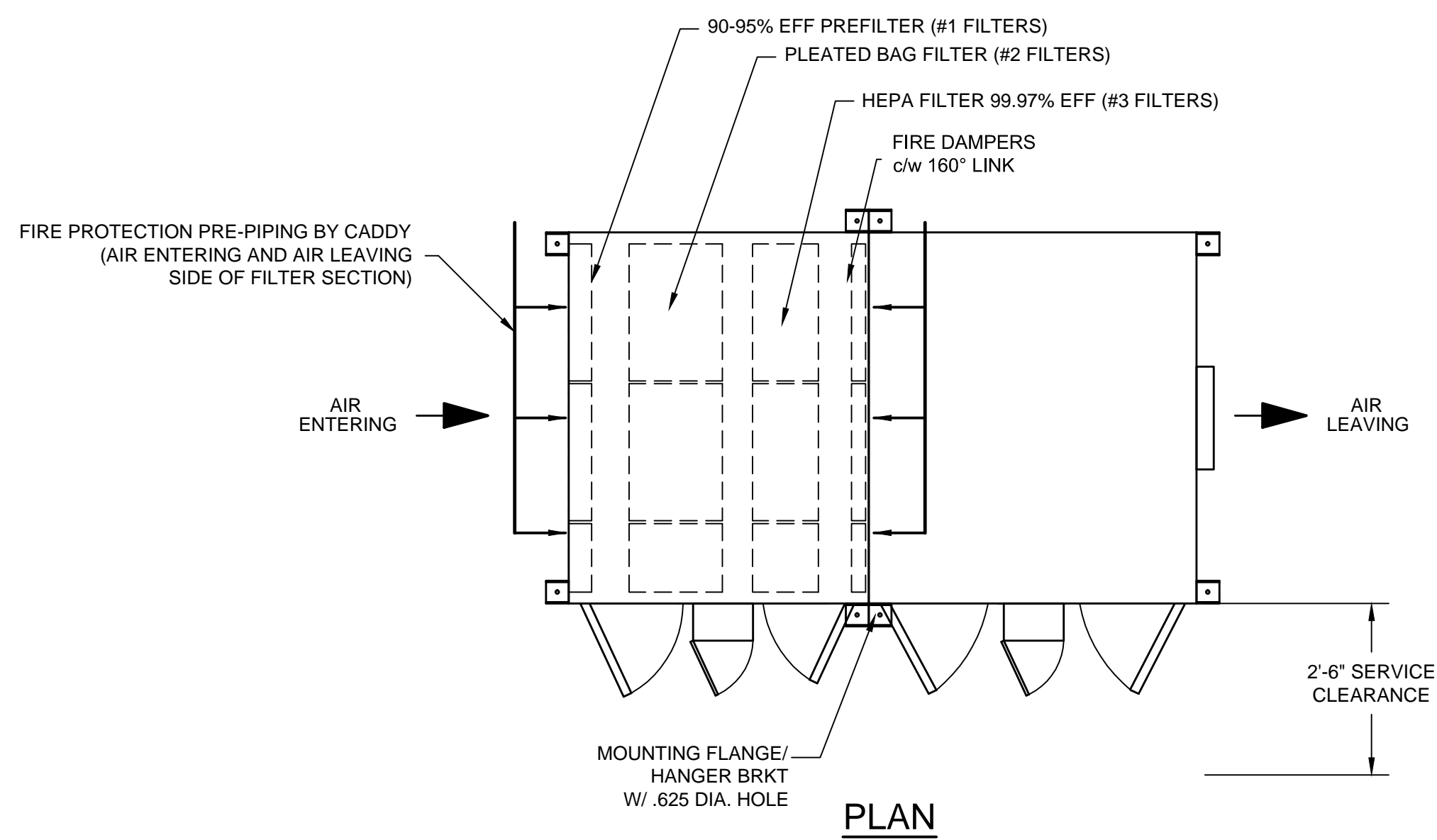
CADDY NO. 1064-3 ITEM NO. 3

JOB: LA DOLCE VITA
LOC: BEAUVALLON CORPORATION
CUST#: 42804

DATE	04/29/04	SCALE	AS NOTED
DR BY	DRA	APP'D BY	

DWG# D-2-1064 SHT 1 OF 6

**FIRE PROTECTION SYSTEM INSTALLATION
AND COMPONENT SUPPLY BY INSTALLER**

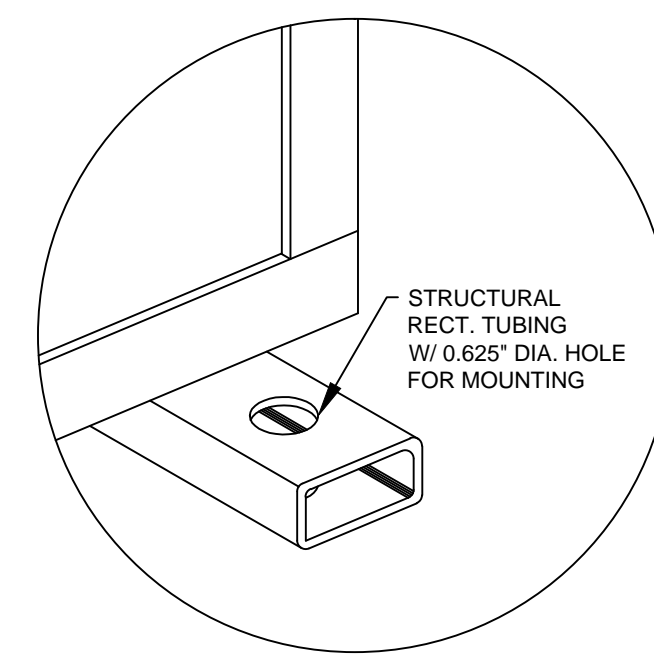


**LEFT END
(AIR ENTERING)**

**ELEVATION
(RIGHT HAND ACCESS SIDE)**

**RIGHT END
(AIR LEAVING)**

**EXTERNAL STATIC
TO BE CONTIRMED**



MOUNTING DETAIL
SCALE: 3/4"=1'-0"

GENERAL CONTRACT CONDITIONS
ELECTRICAL WORK DONE BY CADDY CORPORATION IS EXECUTED IN COMPLIANCE WITH STANDARDS PUBLISHED BY THE UNDERWRITERS LABORATORIES, INC. INSOFAR AS APPLICABLE, AND THE LATEST EDITION OF THE NATIONAL ELECTRICAL CODE (NEC). CADDY CORPORATION DOES NOT ACCEPT ANY RESPONSIBILITY FOR THE REQUIREMENTS OF ANY REGIONAL AND/OR LOCAL CODES THAT ADD OR DEVIATED FROM THE ACCEPTED STANDARDS OF THE ABOVE AGENCIES. ANY FIELD WORK RELATING TO THE MODIFICATION OF ELECTRIC OR PLUMBING SYSTEMS, TO MEET REGIONAL OR LOCAL CODE REQUIREMENTS IS TO BE DONE BY OTHERS AND WITHOUT BACK CHARGES TO CADDY CORPORATION, UNLESS THESE CONDITIONS WERE PREVIOUSLY BROUGHT TO OUR ATTENTION AND ARE EXPRESSLY INCLUDED IN OUR WRITTEN QUOTATION.
ALL WIRING AND PLUMBING AT THE JOB SITE IS THE RESPONSIBILITY OF OTHERS. EQUIPMENT WILL BE CONSTRUCTED IN ACCORDANCE WITH OUR DRAWING(S) WHICH MUST BE APPROVED PRIOR TO FABRICATION. ANY SUBSEQUENT CHANGES REQUIRED MUST BE SUBMITTED TO US IN WRITING AND ACKNOWLEDGED ON OUR STANDARD FORM.

FILTER DATA- AT FULL LOAD CAPACITY						GENERAL DATA		MOTOR DATA	
FILTER NO.	TYPE	SIZE	CAPACITY	QTY.	S.P.(IN W.C.)	MAXIMUM AIR EXHAUST	5,000 C.F.M.	HORSEPOWER	10 HP
1	40% PRE-FILTER	24" X 12" X 4"	1,000 CFM	1		DESIGN AIR EXHAUST	4,480 C.F.M.	POWER	6.77 BHP
		24" X 24" X 4"	2,000 CFM	2		TOTAL STATIC PRESSURE	5" W.C.	FULL LOAD AMPS	11
2	95% PLEATED BAG FILTER	24" X 12" X 22"	1,000 CFM	1		EXTERNAL STATIC PRESSURE		MOTOR RPM	1725
		24" X 24" X 22"	2,000 CFM	2		PANEL ACCESS	RIGHT HAND	VOLTAGE	480/3/60
3	95% HEPA FILTER	24" X 12" X 11.5"	1,000 CFM	1		FILTER SECTION WEIGHT	1,724 LBS.	PHASE	3
		24" X 24" X 11.5"	2,000 CFM	2		MOTOR SECTION WEIGHT	1,625 LBS.		
						MOUNTING	FLOOR		

REVISIONS			
REV	DATE	BY	REMARKS
A	5-5-04	BJW	REVISED PER INSTRUCTIONS ON 5-5-04
B	5-11-04	AGR	CHANGED TITLE BLOCK

CADDY AirSystems
509 SHARPTOWN ROAD
P.O. BOX 345 BRIDGEPORT NJ 08014
Tel:(856) 467-4222 Fax:(856) 467-5511

EQUIPMENT SCHEDULE

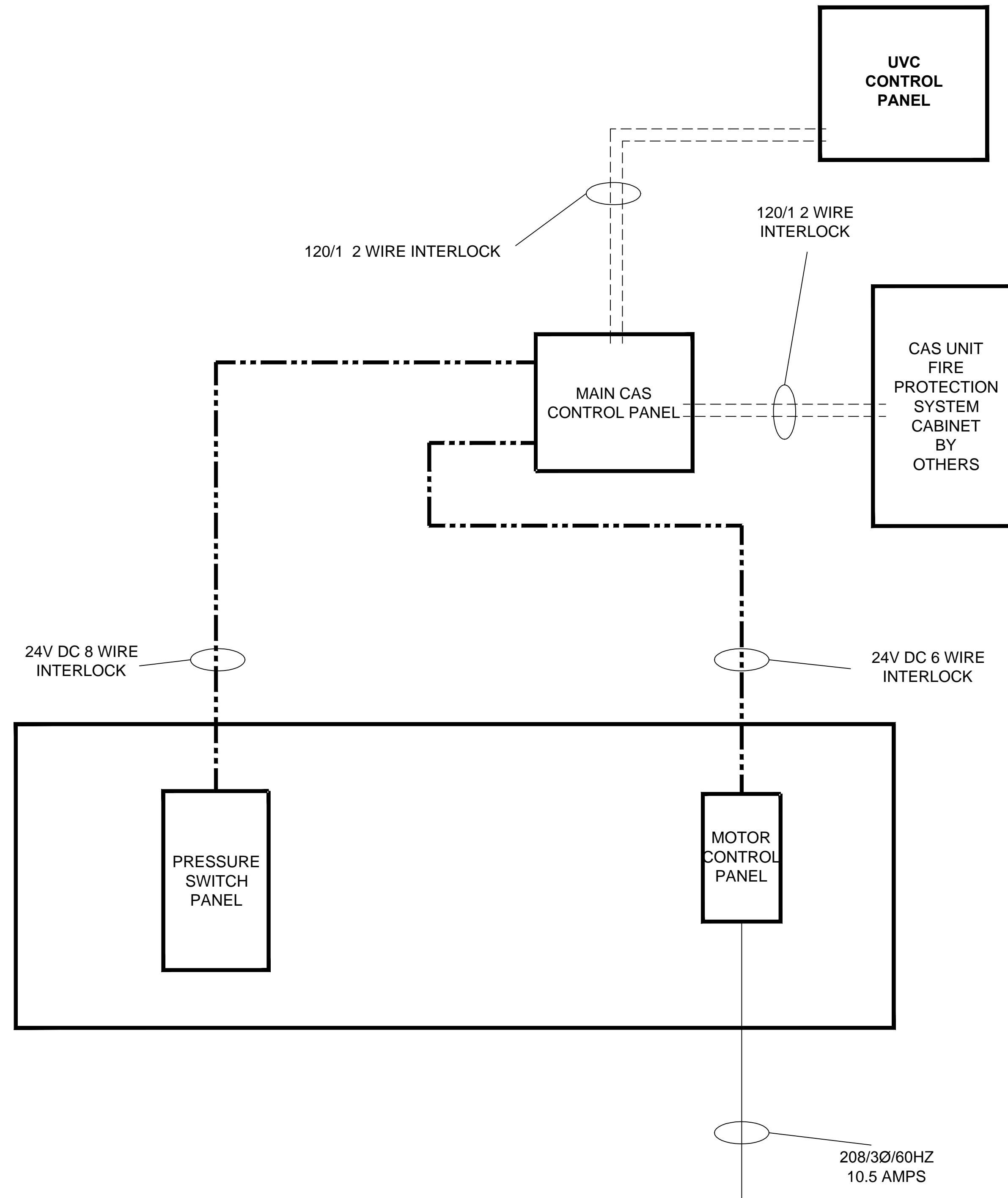
CAS-KEF-5000
GENERAL LAYOUT WITHOUT ODOR

CADDY NO. 1064-3 ITEM NO. 3

JOB: LA DOLCE VITA
LOC: BEAUVALLON CORPORATION
CUST#: 42804

DWG# D-2-1064

SHT 2
OF 6



INSTALLATION INFORMATION
 ALLOW SUFFICIENT AREA TO MOUNT UVC CONTROL BOX ON CLOSEST STRUCTURAL WALL TO VENTILATOR
 MAXIMUM UVC CONTROL BOX DIMENSIONS
 14" LONG x 6 3/8" DEEP x 16" HIGH
 ESTIMATED TOTAL HANGING WEIGHT: 30 LBS.

	120 VOLT SUPPLY AND INTERLOCK WIRING BY ELECTRICIAN
	24 VOLT DC WIRING BY OTHERS
	208 VOLT SUPPLY AND INTERLOCK WIRING BY ELECTRICIAN NOTE : • 10.5 AMP 208/3 SUPPLY TO FAN MOTOR

GENERAL CONTRACT CONDITIONS
 ELECTRICAL WORK DONE BY CADDY CORPORATION IS EXECUTED IN COMPLIANCE WITH STANDARDS PUBLISHED BY THE UNDERWRITER'S LABORATORIES, INC. INSOFAR AS APPLICABLE, AND THE LATEST EDITION OF THE NATIONAL ELECTRICAL CODE (NEC). CADDY CORPORATION DOES NOT ACCEPT ANY RESPONSIBILITY FOR THE REQUIREMENTS OF ANY REGIONAL AND/OR LOCAL CODES THAT ADD OR DEVIATED FROM THE ACCEPTED STANDARDS OF THE ABOVE AGENCIES. ANY FIELD WORK RELATING TO THE MODIFICATION OF ELECTRIC OR PLUMBING SYSTEMS, TO MEET REGIONAL OR LOCAL CODE REQUIREMENTS IS TO BE DONE BY OTHERS AND WITHOUT BACK CHARGES TO CADDY CORPORATION, UNLESS THESE CONDITIONS WERE PREVIOUSLY BROUGHT TO OUR ATTENTION AND ARE EXPRESSLY INCLUDED IN OUR WRITTEN QUOTATION.
 ALL WIRING AND PLUMBING AT THE JOB SITE IS THE RESPONSIBILITY OF OTHERS. EQUIPMENT WILL BE CONSTRUCTED IN ACCORDANCE WITH OUR DRAWING(S) WHICH MUST BE APPROVED PRIOR TO FABRICATION. ANY SUBSEQUENT CHANGES REQUIRED MUST BE SUBMITTED TO US IN WRITING AND ACKNOWLEDGED ON OUR STANDARD FORM.

REVISIONS			
REV	DATE	BY	REMARKS
A	5-5-04	BJW	REVISED PER INSTRUCTIONS ON 5-5-04
B	5-11-04	AGR	CHANGED TITLE BLOCK

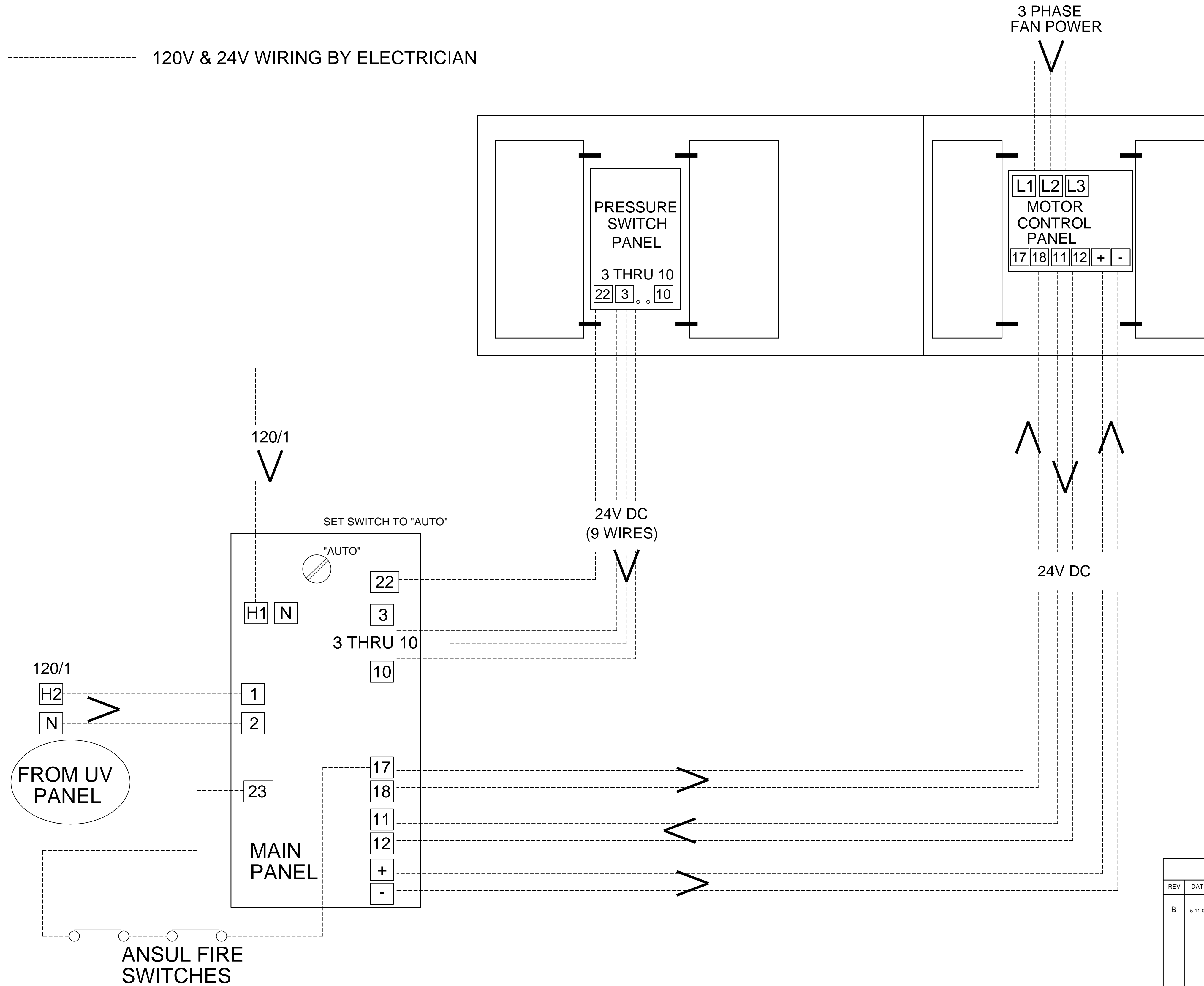
 509 SHARPTOWN ROAD P.O. BOX 345 BRIDGEPORT NJ 08014 Tel:(856) 467-4222 Fax:(856) 467-5511	
EQUIPMENT SCHEDULE	
CAS-KEF-5000	
CADDY NO. 1064-3	ITEM NO. 3
JOB: LA DOLCE VITA LOC: CUST: BEAUVALLON CORPORATION CUST#: 42804	

DATE	04/29/04	SCALE	AS NOTED
DR BY	DRA	APP'D BY	

DWG# D-2-1064 SHT 3 OF 6

CAS-KEF FIELD WIRING

----- 120V & 24V WIRING BY ELECTRICIAN



GENERAL CONTRACT CONDITIONS
 ELECTRICAL WORK DONE BY CADDY CORPORATION IS EXECUTED IN COMPLIANCE WITH STANDARDS PUBLISHED BY THE UNDERWRITER'S LABORATORIES, INC. INSOFAR AS APPLICABLE, AND THE LATEST EDITION OF THE NATIONAL ELECTRICAL CODE (NEC). CADDY CORPORATION DOES NOT ACCEPT ANY RESPONSIBILITY FOR THE REQUIREMENTS OF ANY REGIONAL AND/OR LOCAL CODES THAT ADD OR DEVIATED FROM THE ACCEPTED STANDARDS OF THE ABOVE AGENCIES. ANY FIELD WORK RELATING TO THE MODIFICATION OF ELECTRIC OR PLUMBING SYSTEMS, TO MEET REGIONAL OR LOCAL CODE REQUIREMENTS IS TO BE DONE BY OTHERS AND WITHOUT BACK CHARGES TO CADDY CORPORATION, UNLESS THESE CONDITIONS WERE PREVIOUSLY BROUGHT TO OUR ATTENTION AND ARE EXPRESSLY INCLUDED IN OUR WRITTEN QUOTATION.
 ALL WIRING AND PLUMBING AT THE JOB SITE IS THE RESPONSIBILITY OF OTHERS. EQUIPMENT WILL BE CONSTRUCTED IN ACCORDANCE WITH OUR DRAWING(S) WHICH MUST BE APPROVED PRIOR TO FABRICATION. ANY SUBSEQUENT CHANGES REQUIRED MUST BE SUBMITTED TO US IN WRITING AND ACKNOWLEDGED ON OUR STANDARD FORM.

REVISIONS			
REV	DATE	BY	REMARKS
B	05-11-04	AGR	ADDED THIS SHEET

CADDY AirSystems
 509 SHARPTOWN ROAD
 P.O. BOX 345 BRIDGEPORT NJ 08014
 Tel:(856) 467-4222 Fax:(856) 467-5511

EQUIPMENT SCHEDULE

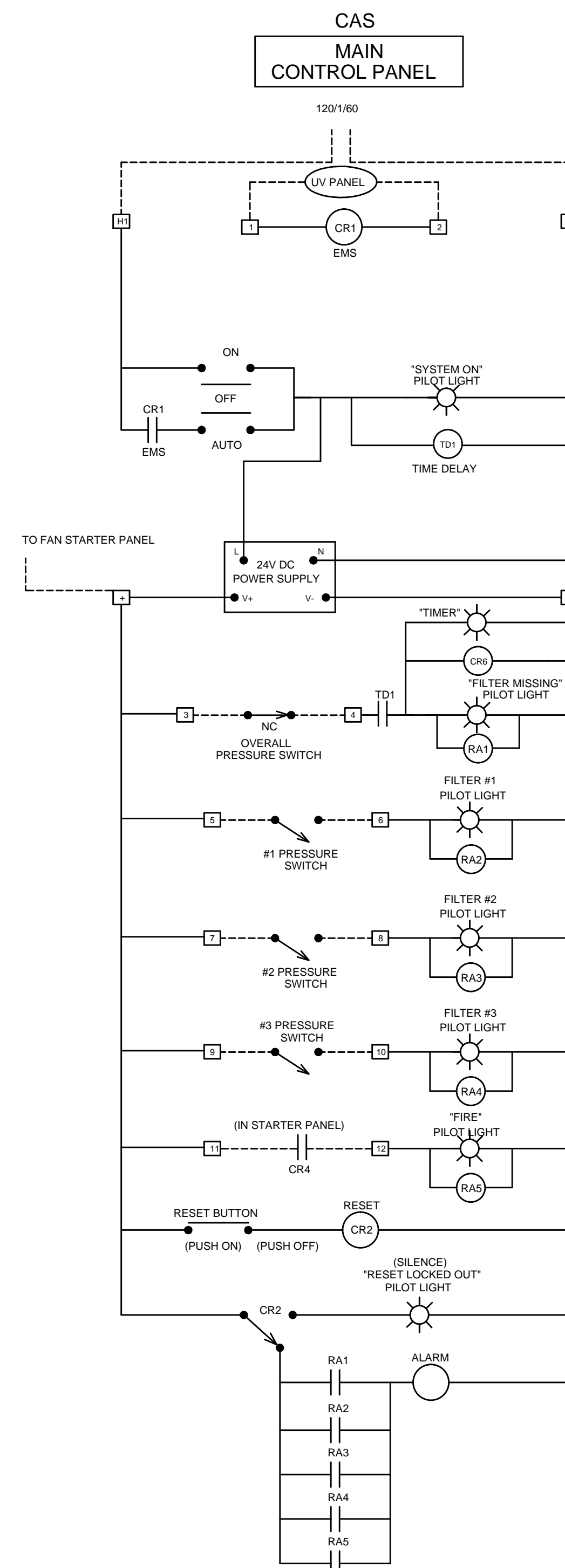
CAS-KEF-5000
 FIELD WIRING

CADDY NO. 1064-3 ITEM NO. 3

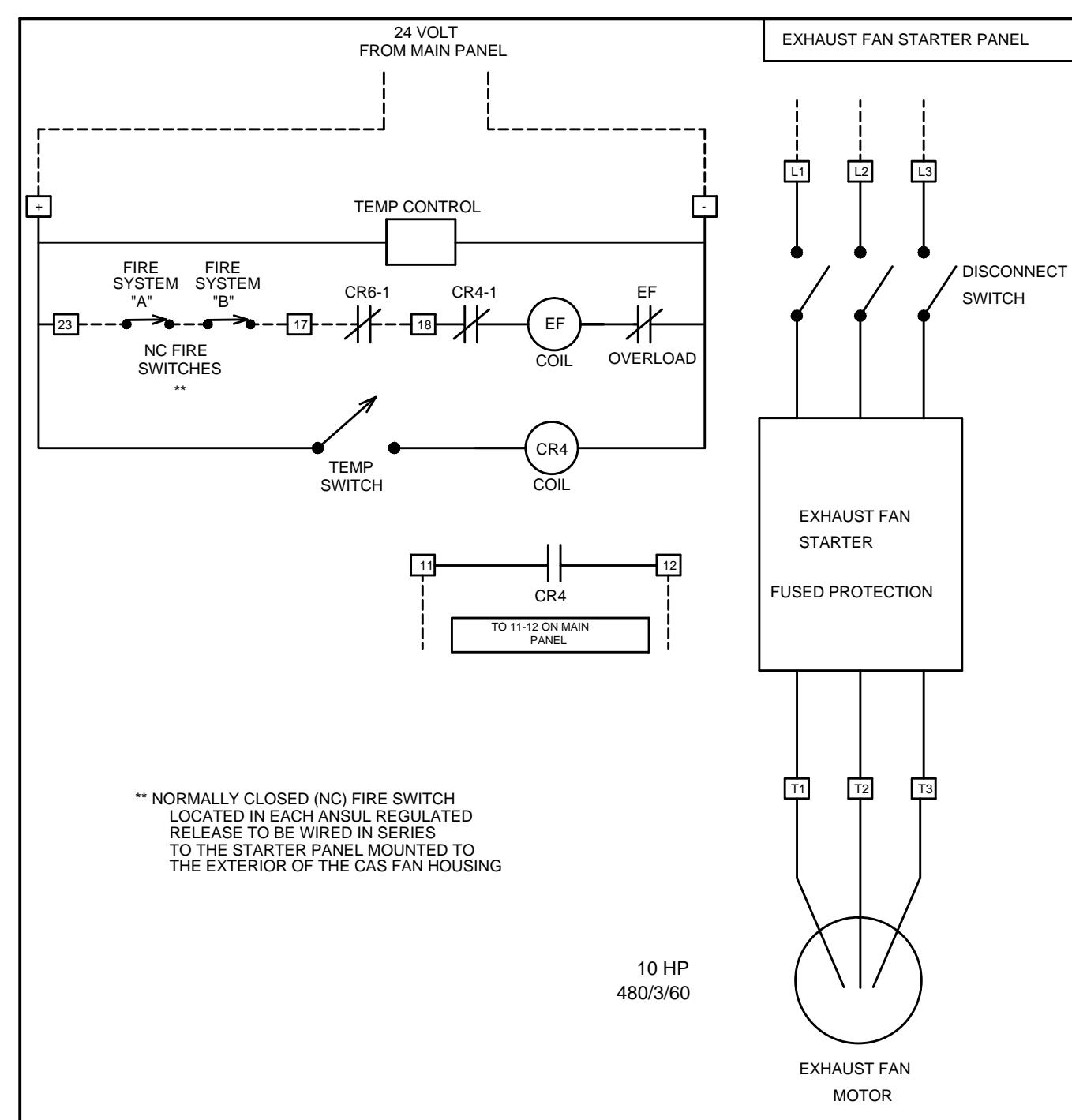
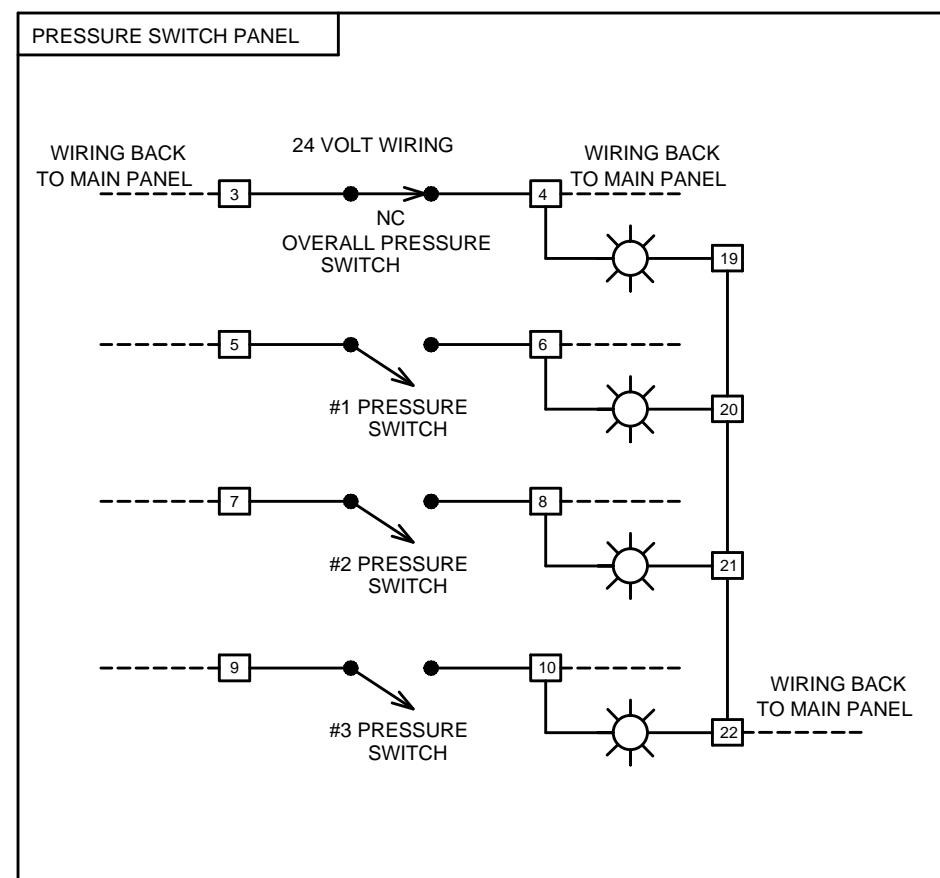
JOB: LA DOLCE VITA
 LOC:
 CUST:
 CUST#:

DATE: 05/14/04 SCALE: AS NOTED
 DR BY: AGR APP'D BY:

DWG# D-2-1064 SHT 4 OF 6



- SEQUENCE OF OPERATIONS**
- Main switch set to "Auto", "EMS" system will start system
 - Main switch set to "Hand On" system will start
 - Timer will override "Overall" Pressure switch until unit is up to speed
 - If a filter is missing at start-up the unit will shut down and pilot light "Filter Missing" will energize
 - If a filter becomes clogged and needs changing, the "Filter #" pilot light will be energized showing maintenance required
 - If the temperature in the Exhaust fan housing goes above 350° the system will shut down "Excessive Heat in Unit" Pilot light will be energized
 - All warning pilot lights (Red) are tied to an audible alarm. Alarm can be silenced by pushing "Silence Alarm" button. Pilot Light tied to alarm will stay lit till the warning/error has been fixed.
 - Odor control is powered up at time of system activation.



REVISIONS			
REV	DATE	BY	REMARKS
B	5-11-04	AGR	ADDED THIS SHEET

CADDY AirSystems
509 SHARPTOWN ROAD
P.O. BOX 345 BRIDGEPORT NJ 08014
Tel:(856) 467-4222 Fax:(856) 467-5511

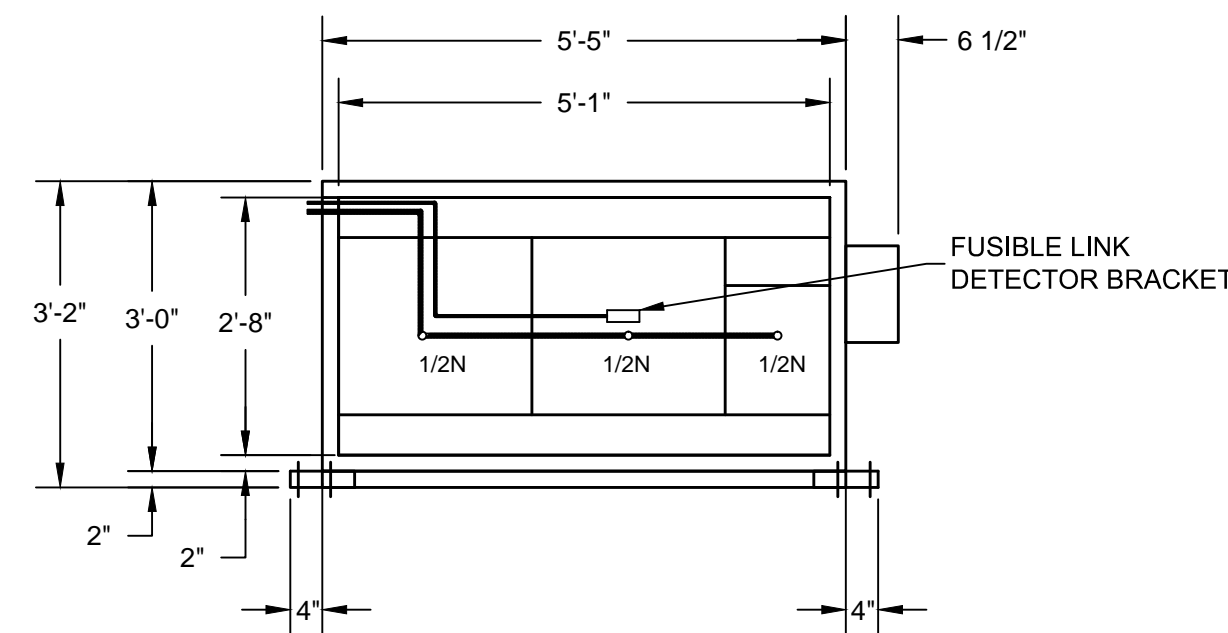
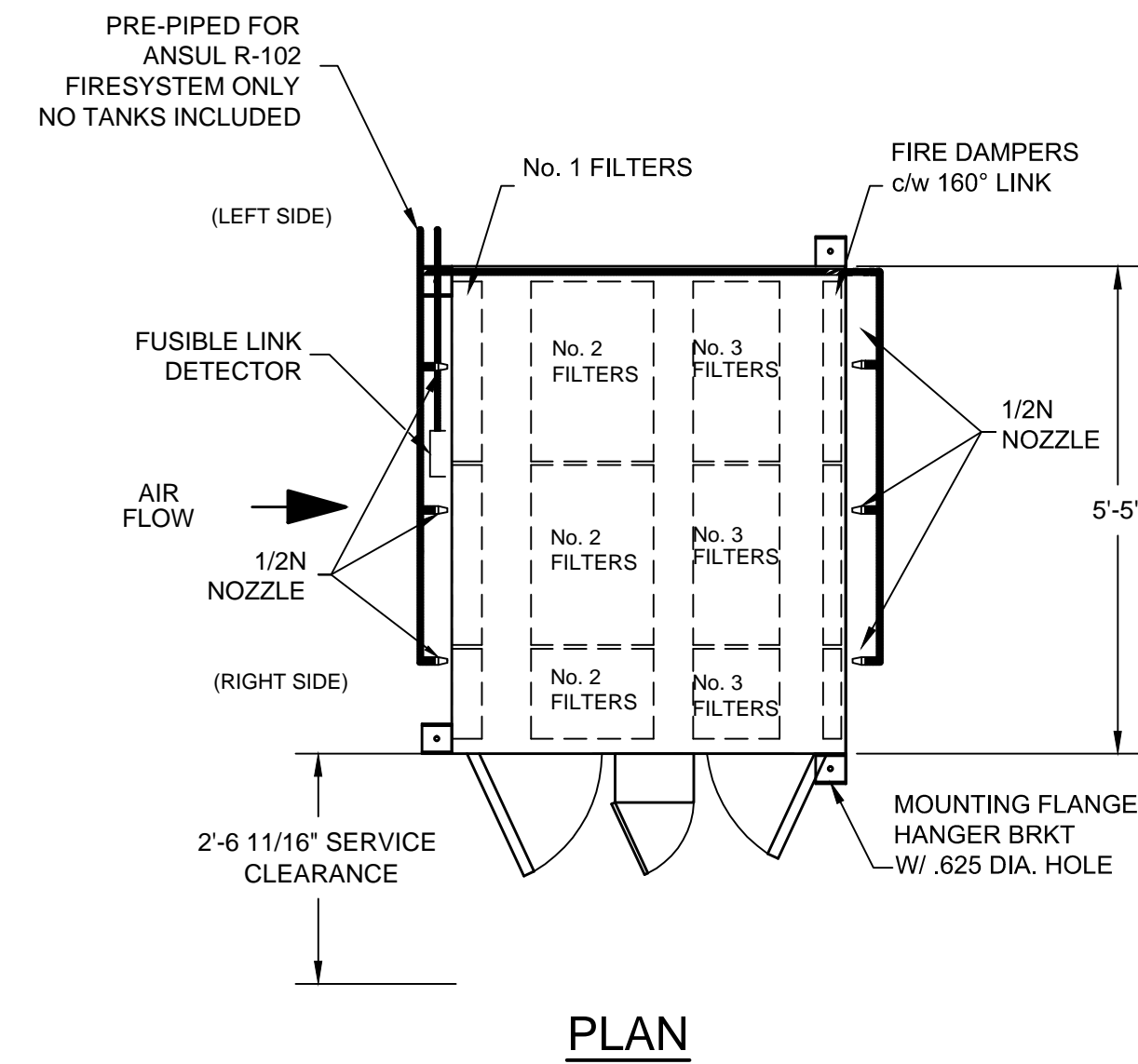
EQUIPMENT SCHEDULE

CAS-KEF WIRING DIAGRAM

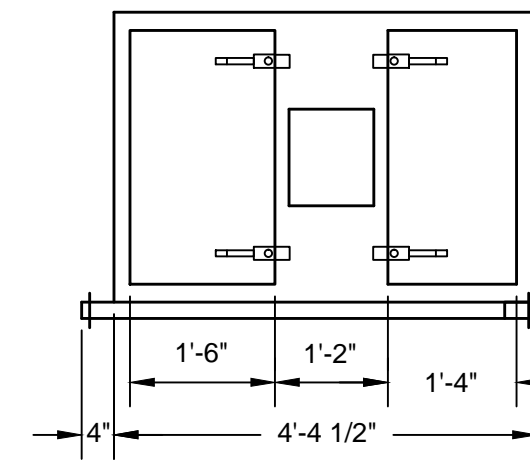
CADDY NO. 1064-3 ITEM NO. 3

JOB: LA DOLCE VITA
LOC:
CUST:
CUST#:

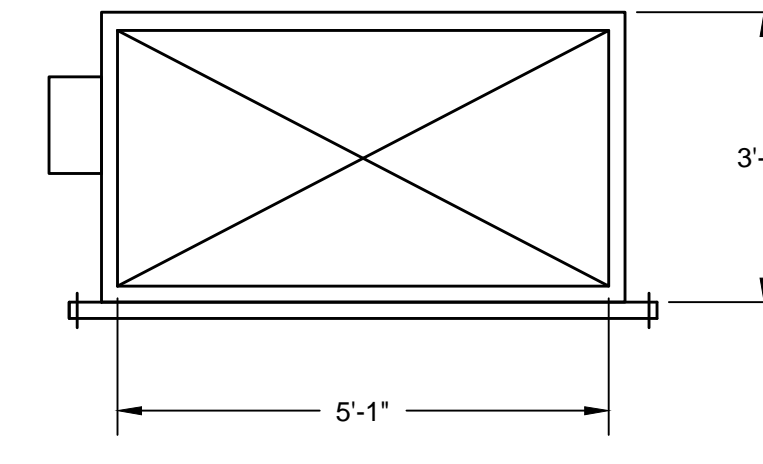
CAS FILTER SECTION



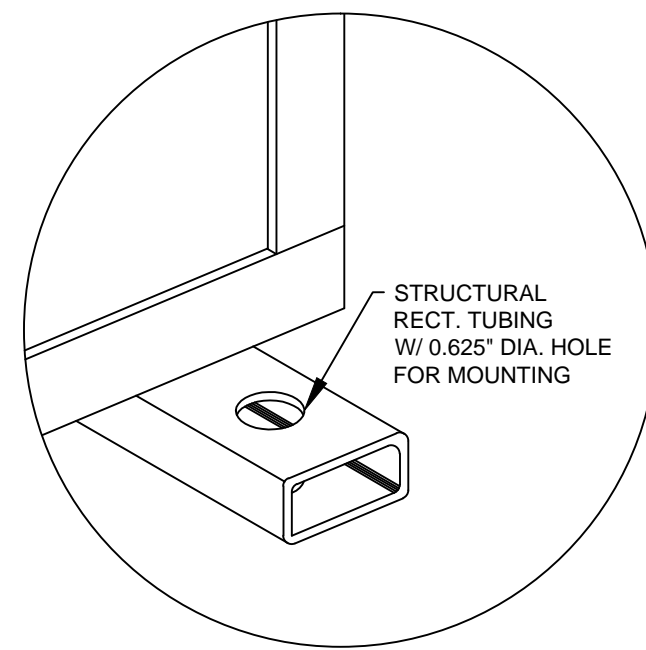
**LEFT END
(AIR ENTERING)**



**ELEVATION
(RIGHT HAND ACCESS SIDE)**



**RIGHT END
(AIR LEAVING)**



MOUNTING DETAIL
SCALE: 3/4"=1'-0"

SHOP NOTE: BUILD PER U.L. CONSTRUCTION METHODS

GENERAL CONTRACT CONDITIONS
ELECTRICAL WORK DONE BY CADDY CORPORATION IS EXECUTED IN COMPLIANCE WITH STANDARDS PUBLISHED BY THE UNDERWRITERS LABORATORIES, INC. INSOFAR AS APPLICABLE, AND THE LATEST EDITION OF THE NATIONAL ELECTRICAL CODE (NEC). CADDY CORPORATION DOES NOT ACCEPT ANY RESPONSIBILITY FOR THE REQUIREMENTS OF ANY REGIONAL AND/OR LOCAL CODES THAT ADD OR DEVIATED FROM THE ACCEPTED STANDARDS OF THE ABOVE AGENCIES. ANY FIELD WORK RELATING TO THE MODIFICATION OF ELECTRIC OR PLUMBING SYSTEMS, TO MEET REGIONAL OR LOCAL CODE REQUIREMENTS IS TO BE DONE BY OTHERS AND WITHOUT BACK CHARGES TO CADDY CORPORATION, UNLESS THESE CONDITIONS WERE PREVIOUSLY BROUGHT TO OUR ATTENTION AND ARE EXPRESSLY INCLUDED IN OUR WRITTEN QUOTATION.
ALL WIRING AND PLUMBING AT THE JOB SITE IS THE RESPONSIBILITY OF OTHERS. EQUIPMENT WILL BE CONSTRUCTED IN ACCORDANCE WITH OUR DRAWING(S) WHICH MUST BE APPROVED PRIOR TO FABRICATION. ANY SUBSEQUENT CHANGES REQUIRED MUST BE SUBMITTED TO US IN WRITING AND ACKNOWLEDGED ON OUR STANDARD FORM.

FILTER DATA- AT FULL LOAD CAPACITY						GENERAL DATA		MOTOR DATA	
FILTER NO.	TYPE	SIZE	CAPACITY	QTY.	S.P.(IN W.C.)	MAXIMUM AIR EXHAUST	5,000 C.F.M.	HORSEPOWER	10 HP
1	40% PRE-FILTER	24" X 12" X 4"	1,000 CFM	1		DESIGN AIR EXHAUST	4,800 C.F.M.	POWER	6.77 BHP
		24" X 24" X 4"	2,000 CFM	2		TOTAL STATIC PRESSURE	5" W.C.	FULL LOAD AMPS	11
2	95% PLEATED BAG FILTER	24" X 12" X 22"	1,000 CFM	1		EXTERNAL STATIC PRESSURE		MOTOR RPM	1725
		24" X 24" X 22"	2,000 CFM	2		PANEL ACCESS	RIGHT HAND	VOLTAGE	480/3/60
3	95% HEPA FILTER	24" X 12" X 11.5"	1,000 CFM	1		FILTER SECTION WEIGHT	1,724 LBS.	PHASE	3
		24" X 24" X 11.5"	2,000 CFM	2		MOTOR SECTION WEIGHT	1,625 LBS.		
ODOR CONTROL SECTION - 22L "CLEAN AIR" LIQUID MEDIA						MOUNTING	INTERIOR/FLOOR/HANGING		

REVISIONS			
REV	DATE	BY	REMARKS
B	5-11-04	AGR	ADDED THIS SHEET

CADDY AirSystems
509 SHARPTOWN ROAD
P.O. BOX 345 BRIDGEPORT NJ 08014
Tel:(856) 467-4222 Fax:(856) 467-5511

EQUIPMENT SCHEDULE

ANSUL
CAS-KEF-5000

CADDY NO. 1064-3 ITEM NO. 3

JOB: LA DOLCE VITA
LOC:
CUST:
CUST#:

DATE 05/11/04 SCALE AS NOTED
DR BY AGR APP'D BY

DWG# D-2-1064 SHT 6 OF 6

NOTE:
K.E.C. MUST VERIFY THE EXACT DIMENSION OF THE COOKING EQUIPMENT FROM EITHER THE WALL OR FROM THE FRONT OF THE HOOD, SO CADDY MAY PROPERLY LOCATE THE FIRE PROTECTION NOZZLES AT TIME-OF-FABRICATION IN THE FACTORY. IF EQUIPMENT IS NOT LOCATED AS SHOWN AND THE DRAWING IS APPROVED FOR FABRICATION, THEN NOZZLES MUST BE RELOCATED AT THE EXPENSE OF OTHERS.

CONTRACTOR NOTE:
ALLOW SUFFICIENT ACCESS ON TOP OF VENTILATOR TO SERVICE COMPONENTS AND UTILITIES

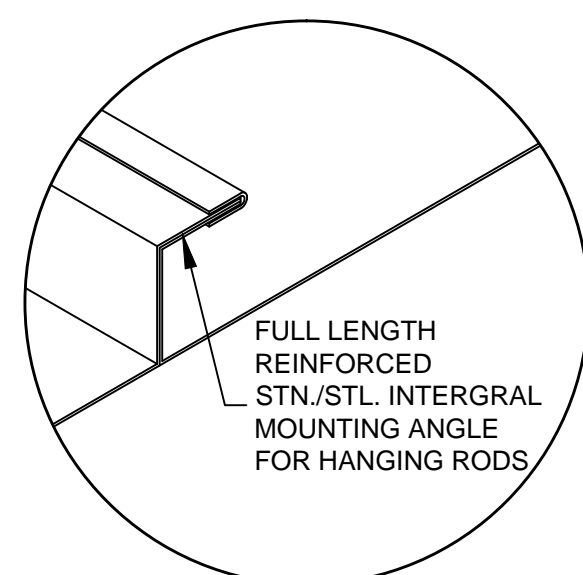
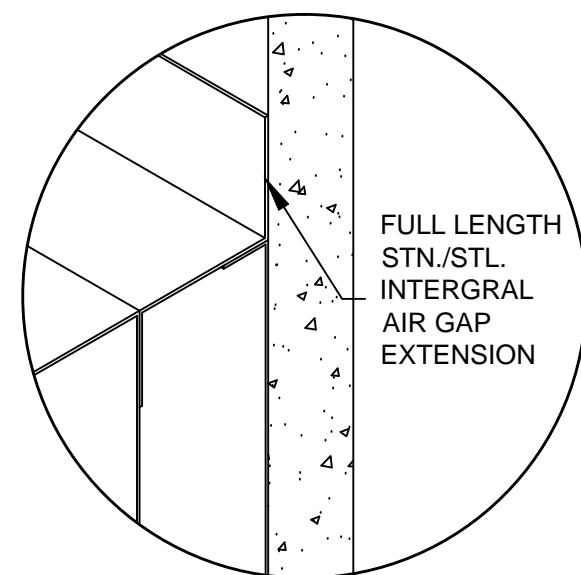
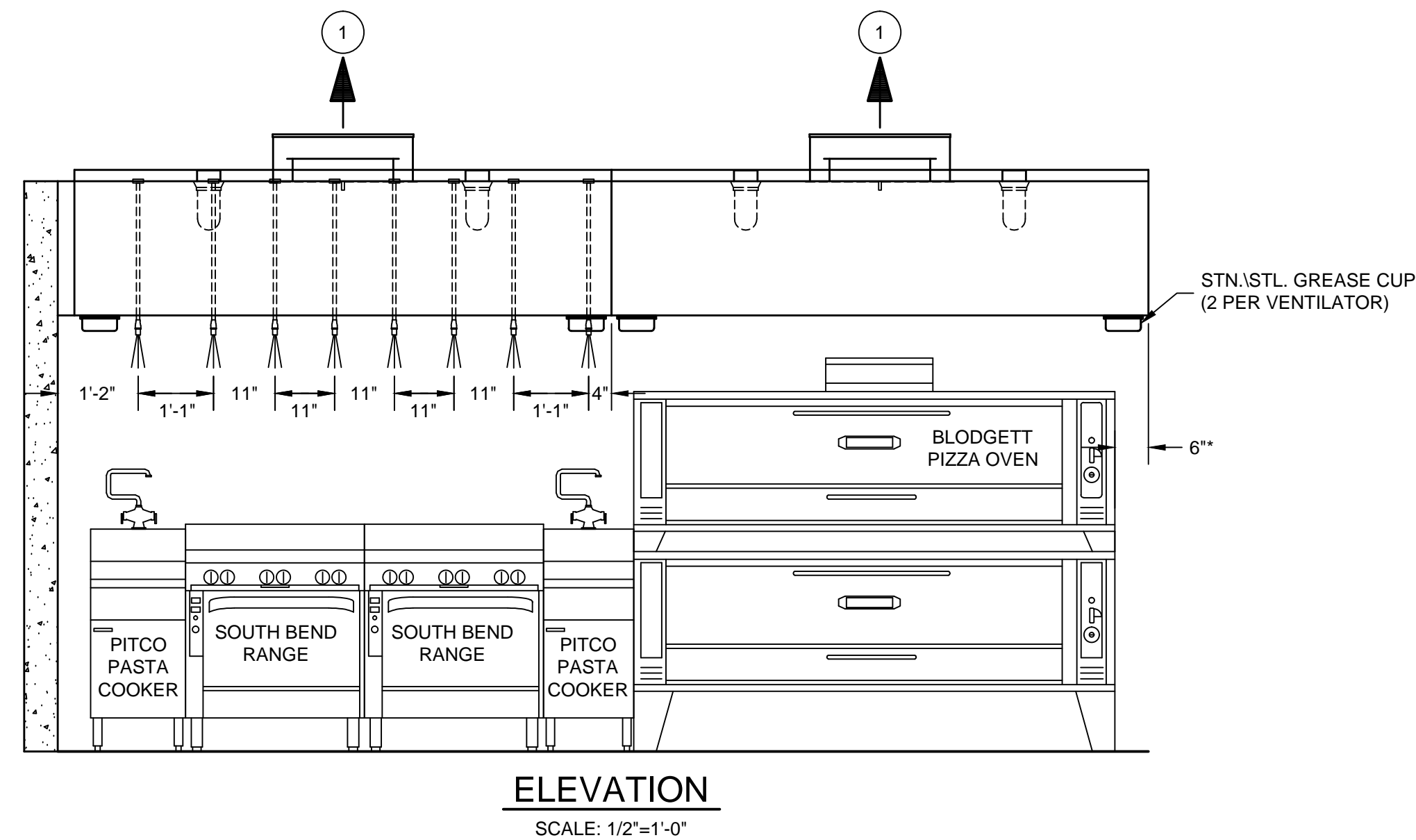
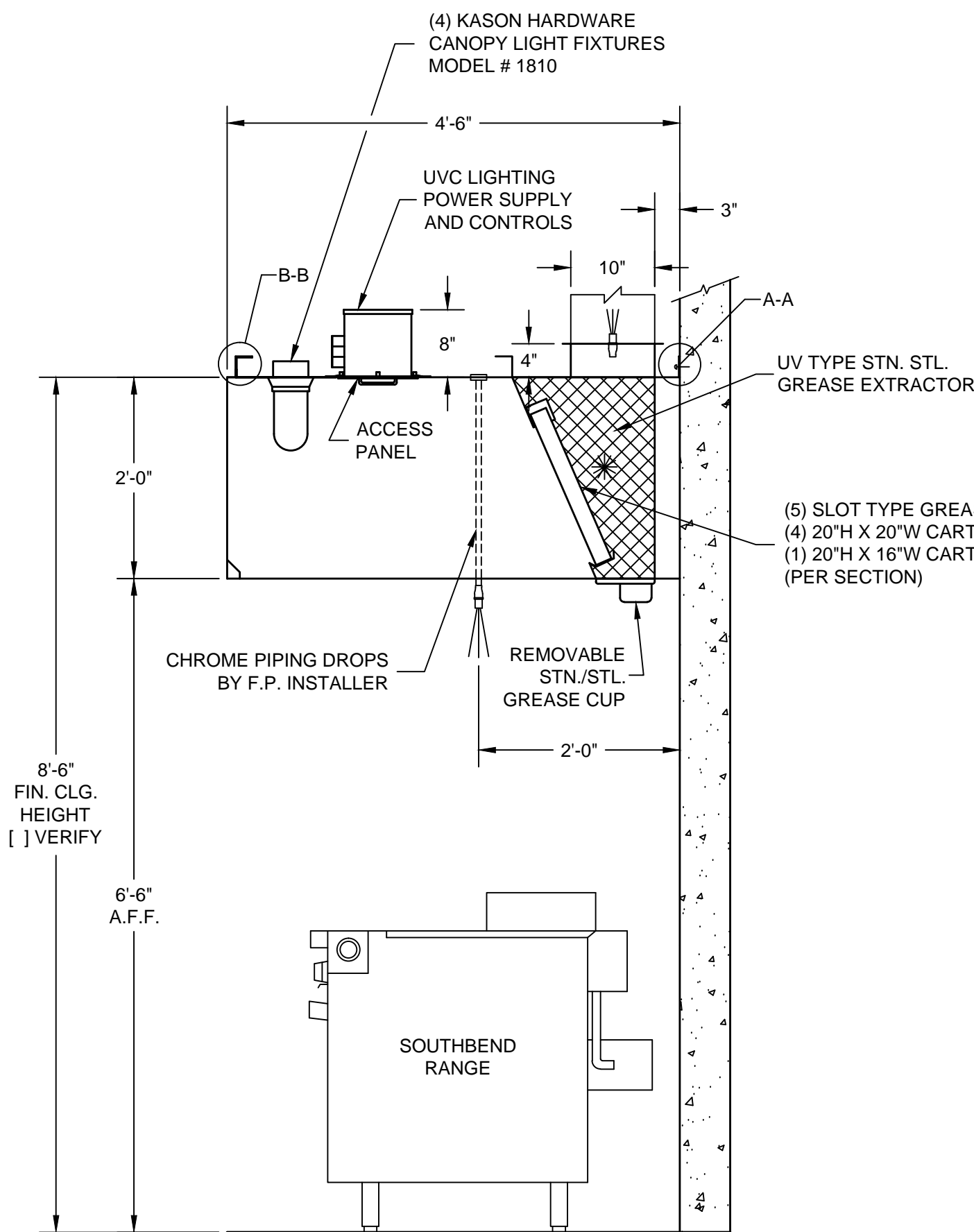
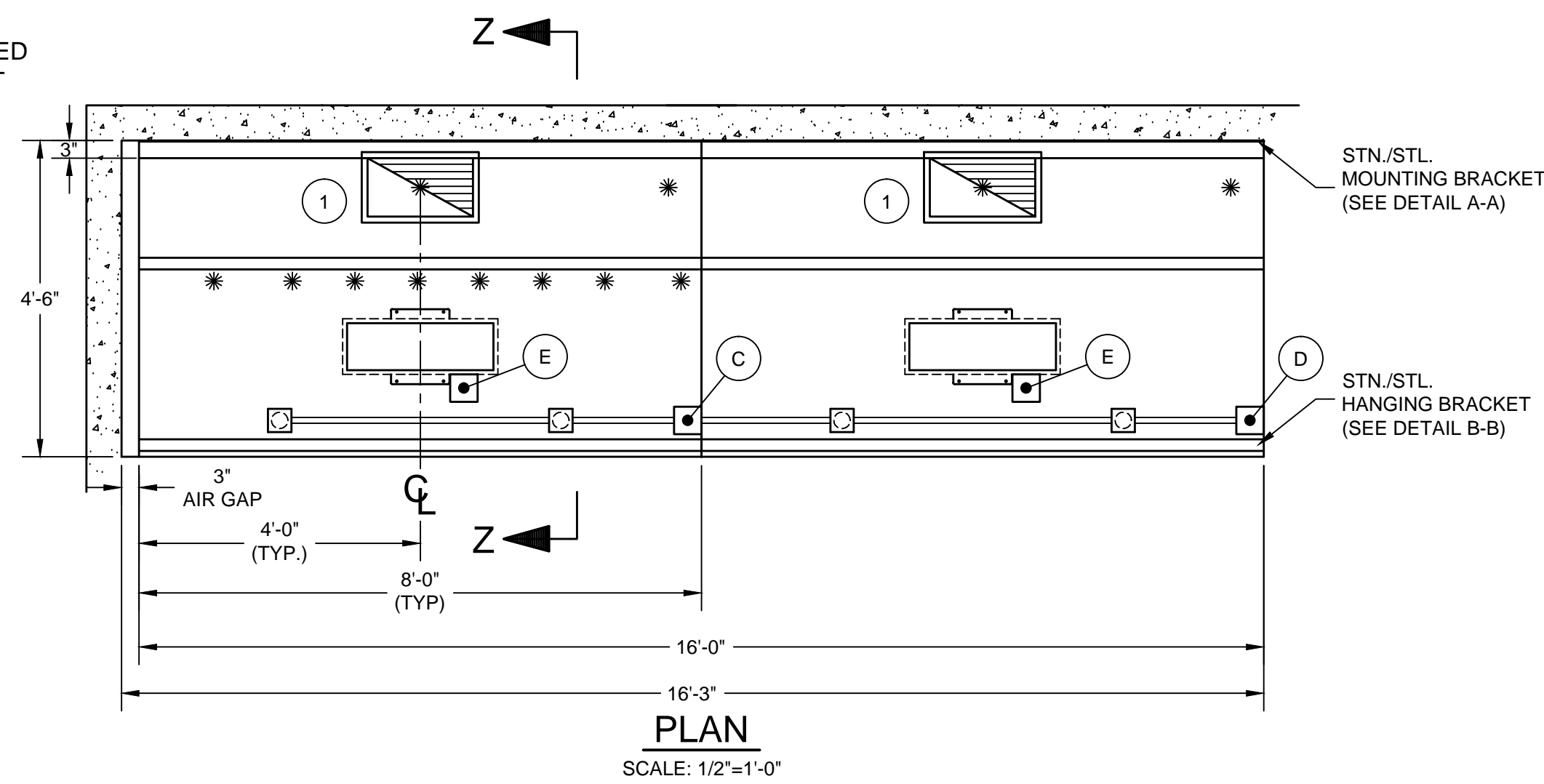
MAKE-UP AIR NOTE:
AIR TEMPERATURE SHOULD RANGE FROM 60° TO 65° F, BUT MAY BE AS LOW AS 50° F DEPENDING ON AIR VOLUME, DISTRIBUTION, AND INTERNAL HEAT LOAD

GENERAL NOTES

- EXHAUST AIR REQUIREMENTS:**
- EXHAUST C.F.M. BASED ON 280 C.F.M. PER LINEAR FOOT.
 - EXHAUST STATIC PRESSURE IS 1.60" W.G. AT DUCT TAKE-OFF COLLAR. TOTAL DUCT STATIC MUST BE ADDED. STATIC BASED ON OPERATION AT MEAN SEA LEVEL.
 - DUCT SIZE BASED ON 1800 F.P.M..
- EXHAUST FAN REQUIREMENTS:**
- TYPE - INDUCED DRAFT, SQUIRREL CAGE, BACKWARD INCLINED BLADES, EXHAUST FAN DISCHARGE SHOULD BE VERTICAL, AWAY FROM AIR INTAKES. FAN FURNISHED BY OTHERS.
 - EXHAUST FAN MUST BE FURNISHED WITH A MAGNETIC STARTER WITH 120 VOLT HOLDING COIL. STARTER FURNISHED BY OTHERS.
- MAKE-UP AIR REQUIREMENTS:**
- AIR EXHAUSTED FROM KITCHEN MUST BE REPLACED - WITH DISTRIBUTION CONTROLLED TO PROVIDE FOR TOTAL KITCHEN VENTILATION AND TO ESTABLISH NECESSARY AIR PATTERNS FOR PROPER PERFORMANCE OF THE VENTILATORS. AIR DISTRIBUTION SYSTEMS SHALL BE IN ACCORDANCE WITH ALL GOVERNING CODES.
 - MAKE-UP AIR MUST BE TEMPERED - HEATED OR COOLED - CONSISTENT WITH THE STYLE OF HOOD, HEAT LOAD, CLIMATIC CONDITIONS AND APPLICABLE CODES.
- INSTALLATION:**
- VENTILATORS TO BE INSTALLED IN ACCORDANCE WITH ALL CODES.
- CONTRACTORS MUST REVIEW APPLICABLE CODES WITH CODE AUTHORITIES BEFORE APPROVING DRAWINGS FOR FABRICATION. SPECIAL ATTENTION MUST BE GIVEN TO CODE REGULATIONS RELATIVE TO CLEARANCES FROM SURROUNDING COMBUSTIBLE CONSTRUCTION (WALL, CEILINGS, ETC.).**
- ALL DUCTWORK BEYOND VENTILATOR DUCT TAKE-OFF COLLAR TO BE PROVIDED AND INSTALLED BY OTHERS, IN ACCORDANCE WITH JURISDICTIONAL CODES. DUCTS MUST BE MECHANICALLY STRONG, GREASE AND WATER TIGHT.
 - MOUNTING RODS FURNISHED AND INSTALLED BY OTHERS.
- CONSTRUCTION:**
- VENTILATORS TO BE MANUFACTURED IN STRICT ACCORDANCE WITH CADDY SPECIFICATIONS.
 - VENTILATORS CONSTRUCTED OF 18 GA. STAINLESS STEEL.
- FIRE PROTECTION:**
- SURFACE FIRE PROTECTION PROVIDED AND INSTALLED BY FIRE PROTECTION INSTALLER (PRE-PIPING FOR ANSUL R-102 ONLY BY CADDY).
 - CAUTION: SURFACE FIRE PROTECTION SYSTEM INSTALLATION MUST BE COORDINATED WITH CADDY TO PREVENT SYSTEMS INTERFERENCE WITH VENTILATOR'S OPERATION/PERFORMANCE. IMPROPER INSTALLATION MAY VOID U.L. LISTINGS OF THE EQUIPMENT.
 - IMPORTANT NOTE: NFPA 96 REQUIRES THAT ALL GAS AND ELECTRIC COOKING EQUIPMENT THAT IS PROTECTED BY A SURFACE FIRE PROTECTION SYSTEM MUST AUTOMATICALLY SHUT OFF UPON ACTIVATION OF THE SYSTEM.
- ELECTRICAL REQUIREMENTS:**
- LIGHT FIXTURE BULBS PROVIDED AND INSTALLED BY OTHERS.

ELECTRICAL NOTES:

- LIGHT FIXTURES, VAPORPROOF, U.L. LISTED, FURNISHED, INSTALLED AND WIRED TO J-BOX (E) BY CADDY. DISCONNECTED FOR SHIPPING AT J-BOX (C). RECONNECTED ON JOBSITE BY ELECTRICAL CONTRACTOR.
- LIGHT SWITCH FOR LIGHT FIXTURE WITH 120 VOLTS A.C. SERVICE BY ELECTRICAL CONTRACTOR.
- UVC LIGHT CONTROL BOX FURNISHED AND INSTALLED BY CADDY. 120V SUPPLY AND INTERLOCK WIRING TO EACH JUNCTION BOX (E) BY ELECTRICAL CONTRACTOR.



K.E.C. TO VERIFY ALL MAKES AND MODELS OF COOKING EQUIPMENT. REVIEW PLAN FOR PROPER LINE-UP PRIOR TO FABRICATION OF VENTILATORS, AND TO NOTIFY CADDY OF ANY CHANGES.

* - MINIMUM OVERHANG FROM EDGE OF COOKING EQUIPMENT TO END OF HOOD MUST BE 6"

INSTALLATION INFORMATION

ALLOW SUFFICIENT ACCESS TO BRING VENTILATOR INTO KITCHEN AREA. MAXIMUM VENTILATOR DIMENSIONS 8'-3" LONG x 4'-6" WIDE x 32" HIGH. ESTIMATED TOTAL HANGING WEIGHT: 1,195 LBS.

VENTILATOR TO BE SHIPPED IN (2) UNITS. ALL PLUMBING AND ELECTRICAL DISCONNECTED FOR SHIPMENT. RECONNECTED IN FIELD BY PLUMBING AND ELECTRICAL CONTRACTORS.

SYM		QTY	DESCRIPTION
D	1	120V, 60HZ, 1PH, 0.40 K.W.	CONNECTED LOAD
E	2	120V, 60HZ, 1PH, 0.72 K.W.	CONNECTED LOAD (EACH)

REVISIONS			
REV	DATE	BY	REMARKS
A	5-5-04	BJW	REVISED PER INSTRUCTIONS ON 5-5-04
B	5-11-04	AGR	CHANGED TITLE BLOCK

CADDY AirSystems
509 SHARPTOWN ROAD
P.O. BOX 345 BRIDGEPORT NJ 08014
Tel:(856) 467-4222 Fax:(856) 467-5511

EQUIPMENT SCHEDULE

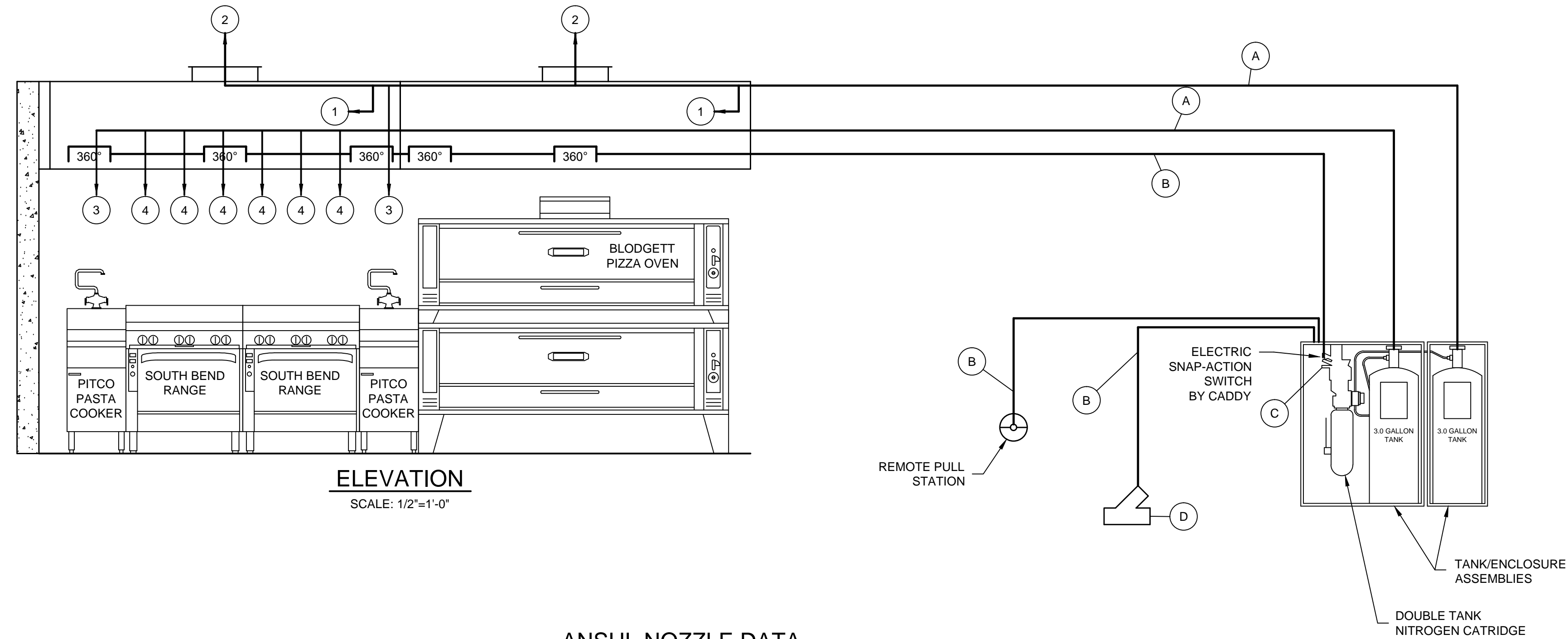
SH-BCU-54

CADDY NO. 1064-1 ITEM NO. 1

JOB: LA DOLCE VITA
LOC:
CUST: BEAUVALLON CORPORATION
CUST#: 42804

DWG# D-1-1064 SHT 1 OF 6

GENERAL CONTRACT CONDITIONS
ELECTRICAL WORK DONE BY CADDY CORPORATION IS EXECUTED IN COMPLIANCE WITH STANDARDS PUBLISHED BY THE UNDERWRITERS LABORATORIES, INC. INSOFAR AS APPLICABLE, AND THE LATEST EDITION OF THE NATIONAL ELECTRICAL CODE (NEC). CADDY CORPORATION DOES NOT ACCEPT ANY RESPONSIBILITY FOR THE REQUIREMENTS OF ANY REGIONAL AND/OR LOCAL CODES THAT ADD OR DEVIATED FROM THE ACCEPTED STANDARDS OF THE ABOVE AGENCIES. ANY FIELD WORK RELATING TO THE MODIFICATION OF ELECTRIC OR PLUMBING SYSTEMS, TO MEET REGIONAL OR LOCAL CODE REQUIREMENTS IS TO BE DONE BY OTHERS AND WITHOUT BACK CHARGES TO CADDY CORPORATION, UNLESS THESE CONDITIONS WERE PREVIOUSLY BROUGHT TO OUR ATTENTION AND ARE EXPRESSLY INCLUDED IN OUR WRITTEN QUOTATION.
ALL WIRING AND PLUMBING AT THE JOB SITE IS THE RESPONSIBILITY OF OTHERS. EQUIPMENT WILL BE CONSTRUCTED IN ACCORDANCE WITH OUR DRAWING(S) WHICH MUST BE APPROVED PRIOR TO FABRICATION. ANY SUBSEQUENT CHANGES REQUIRED MUST BE SUBMITTED TO US IN WRITING AND ACKNOWLEDGED ON OUR STANDARD FORM.



ELEVATION
SCALE: 1/2"=1'-0"

ANSUL ROUGH-IN

SYM	DESCRIPTION
A	3/8" SCH 40 BLACK IRON PIPE
B	1/2" EMT CONDUIT
C	MICRO SWITCH FOR ELECTRIC SHUT-DOWN AND/OR ALARM BY INSTALLER WIRING BY OTHERS.
D	2" MECHANICAL TYPE GAS VALVE FURNISHED BY INSTALLER AND INSTALLED BY P.C. ([] VERIFY SIZE).

ANSUL NOZZLE DATA

SYM	QTY	DESCRIPTION	FLOW POINTS EACH	MIN.-MAX. HEIGHT ABOVE HAZARD
1	2	ANSUL #1N	1	
2	2	ANSUL #2W	2	
3	2	ANSUL #3N	3	21"-34"
4	6	ANSUL #1F	1	30"-50"

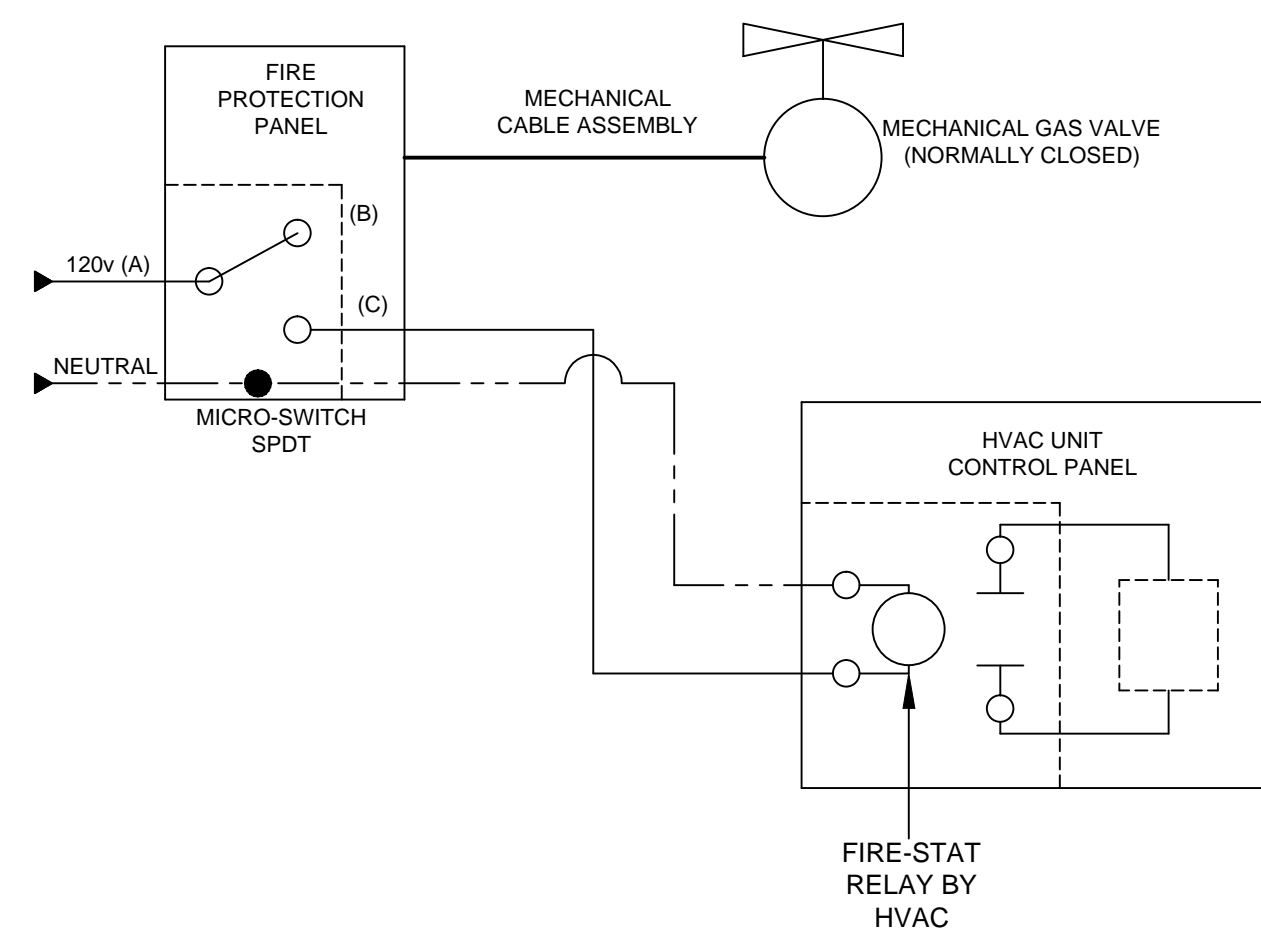
ANSUL R-102 3/3 SYSTEM

FOR VENTILATOR ITEMS # 1

CHROME PIPE DROPS & NOZZLES BY F.P. INSTALLER

HOOD PRE-PIPING BY CADDY

WET CHEMICAL FIRE PROTECTION SYSTEM INTERLOCK



FOR HVAC AND GAS EQUIPMENT SHUTDOWN WHEN USING AN MECHANICAL GAS VALVE

1. CONNECT THE INCOMING LIVE LEAD (A) TO THE COMMON TERMINAL SWITCH.
2. CONNECT THE FIRE-STAT RELAY TO TERMINAL (C) OF THE MICRO-SWITCH.

OPERATION

WHEN DETECTION LINES OR HAND "PULL" STATION ENERGIZE THE FIRE PROTECTION SYSTEM, THE MICRO-SWITCH REPOSITIONS TO:

1. TRANSFER POWER TO THE FIRE-STAT RELAY TO OPEN CONTACT AND SHUT DOWN HVAC UNIT.
2. DETECTION LINE WILL CLOSE MECHANICAL GAS VALVE.

INSTALLATION INFORMATION

ALLOW SUFFICIENT AREA TO MOUNT ANSUL ON CLOSEST STRUCTURAL WALL TO VENTILATOR
 MAXIMUM ANSUL ENCLOSURE DIMENSIONS
 26" LONG x 7 1/2" DEEP x 23 1/2" HIGH
 ESTIMATED TOTAL HANGING WEIGHT: 100 LBS.
 ENCLOSURE MOUNTING HEIGHT 7'-0"

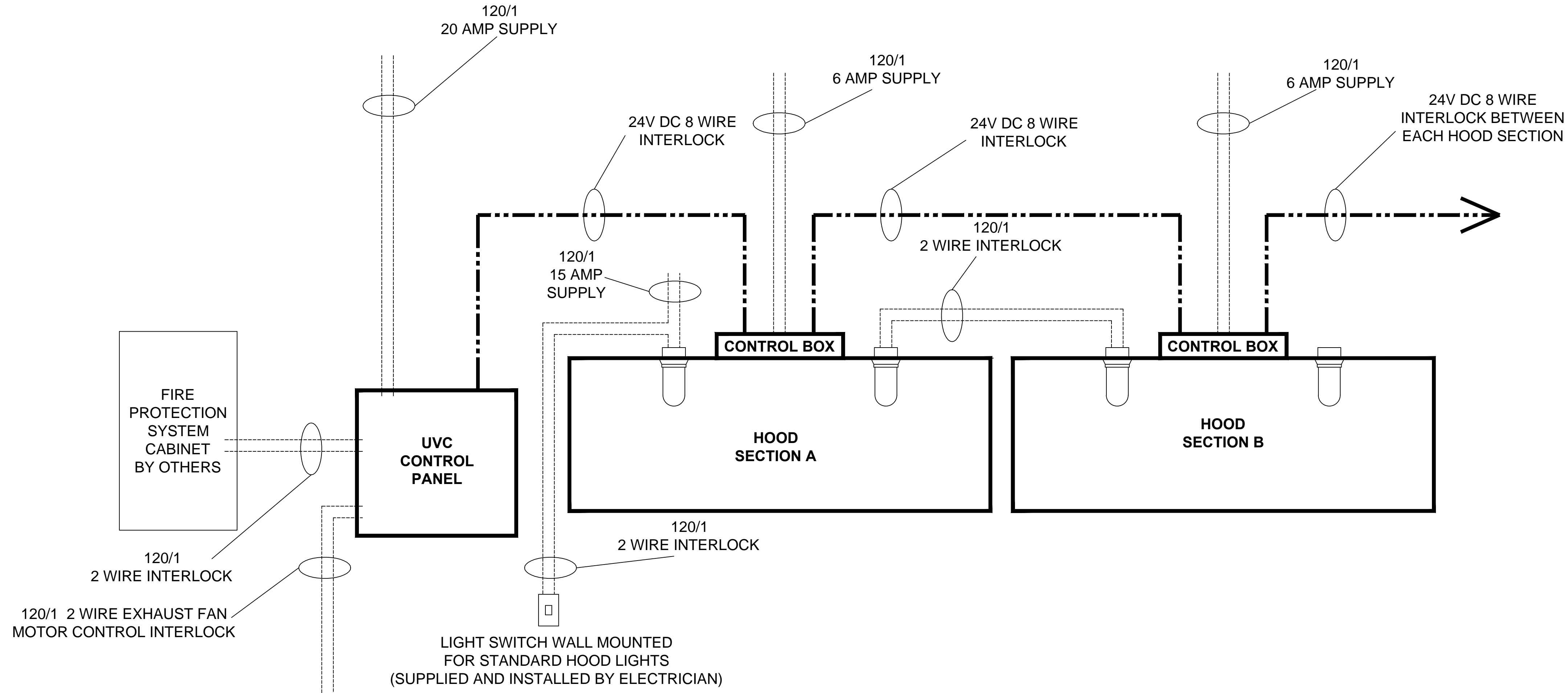
GENERAL CONTRACT CONDITIONS

ELECTRICAL WORK DONE BY CADDY CORPORATION IS EXECUTED IN COMPLIANCE WITH STANDARDS PUBLISHED BY THE UNDERWRITER'S LABORATORIES, INC. INSOFAR AS APPLICABLE, AND THE LATEST EDITION OF THE NATIONAL ELECTRICAL CODE (NEC). CADDY CORPORATION DOES NOT ACCEPT ANY RESPONSIBILITY FOR THE REQUIREMENTS OF ANY REGIONAL AND/OR LOCAL CODES THAT ADD OR DEVIATED FROM THE ACCEPTED STANDARDS OF THE ABOVE AGENCIES. ANY FIELD WORK RELATING TO THE MODIFICATION OF ELECTRIC OR PLUMBING SYSTEMS, TO MEET REGIONAL OR LOCAL CODE REQUIREMENTS IS TO BE DONE BY OTHERS AND WITHOUT BACK CHARGES TO CADDY CORPORATION, UNLESS THESE CONDITIONS WERE PREVIOUSLY BROUGHT TO OUR ATTENTION AND ARE EXPRESSLY INCLUDED IN OUR WRITTEN QUOTATION.
 ALL WIRING AND PLUMBING AT THE JOB SITE IS THE RESPONSIBILITY OF OTHERS. EQUIPMENT WILL BE CONSTRUCTED IN ACCORDANCE WITH OUR DRAWING(S) WHICH MUST BE APPROVED PRIOR TO FABRICATION. ANY SUBSEQUENT CHANGES REQUIRED MUST BE SUBMITTED TO US IN WRITING AND ACKNOWLEDGED ON OUR STANDARD FORM.

REVISIONS			
REV	DATE	BY	REMARKS
A	5-5-04	BJW	REVISED PER INSTRUCTIONS ON 5-5-04
B	5-11-04	AGR	CHANGED TITLE BLOCK

CADDY AirSystems 509 SHARPTOWN ROAD P.O. BOX 345 BRIDGEPORT NJ 08014 Tel:(856) 467-4222 Fax:(856) 467-5511	
EQUIPMENT SCHEDULE	
ANSUL R-102 3/3	
CADDY NO. 1064-1	ITEM NO. 2
JOB: LA DOLCE VITA LOC: CUST: BEAUVALLON CORPORATION CUST#: 42804	
DATE 04/27/04 DR BY DRA	SCALE AS NOTED APP'D BY
DWG# D-1-1064	
SHT 2 OF 6	15667B

CADDY ULTRA SERIES HOOD SYSTEM FIELD WIRING DIAGRAM



----- 120 VOLT SUPPLY AND INTERLOCK WIRING BY ELECTRICIAN
 ----- 24 VOLT DC WIRING BY OTHERS

NOTE : • 20 AMP 120/1 SUPPLY TO MAIN UV CONTROL
 • 6 AMP 120/1 SUPPLY TO EACH HOOD SECTION
 • 15 AMP 120/1 SUPPLY TO ONE HOOD SECTION FOR COOKING EQUIPMENT LIGHTS

INSTALLATION INFORMATION

ALLOW SUFFICIENT AREA TO MOUNT UVC CONTROL BOX ON CLOSEST STRUCTURAL WALL TO VENTILATOR
 MAXIMUM UVC CONTROL BOX DIMENSIONS
 14" LONG x 6 3/8" DEEP x 16" HIGH
 ESTIMATED TOTAL HANGING WEIGHT: 30 LBS.

LEGEND	
SYMBOL	DESCRIPTION
	FLUORESCENT VENTILATOR LIGHT
	100 WATT DOME INCANDESCENT VENTILATOR LIGHT
	150 WATT RECESSED INCANDESCENT VENTILATOR LIGHT
	UVC CONTROL BOX BALLAST & CONTROL BOX FOR UVC LIGHT SYSTEM

REVISIONS			
REV	DATE	BY	REMARKS
A	5-5-04	BJW	REVISED PER INSTRUCTIONS ON 5-5-04
B	5-11-04	AGR	CHANGED TITLE BLOCK

CADDY AirSystems
 509 SHARPTOWN ROAD
 P.O. BOX 345 BRIDGEPORT NJ 08014
 Tel:(856) 467-4222 Fax:(856) 467-5511

EQUIPMENT SCHEDULE

CPE-U

CADDY NO. 1064-2 ITEM NO. 2

JOB: LA DOLCE VITA
 LOC:
 CUST:
 CUST#:

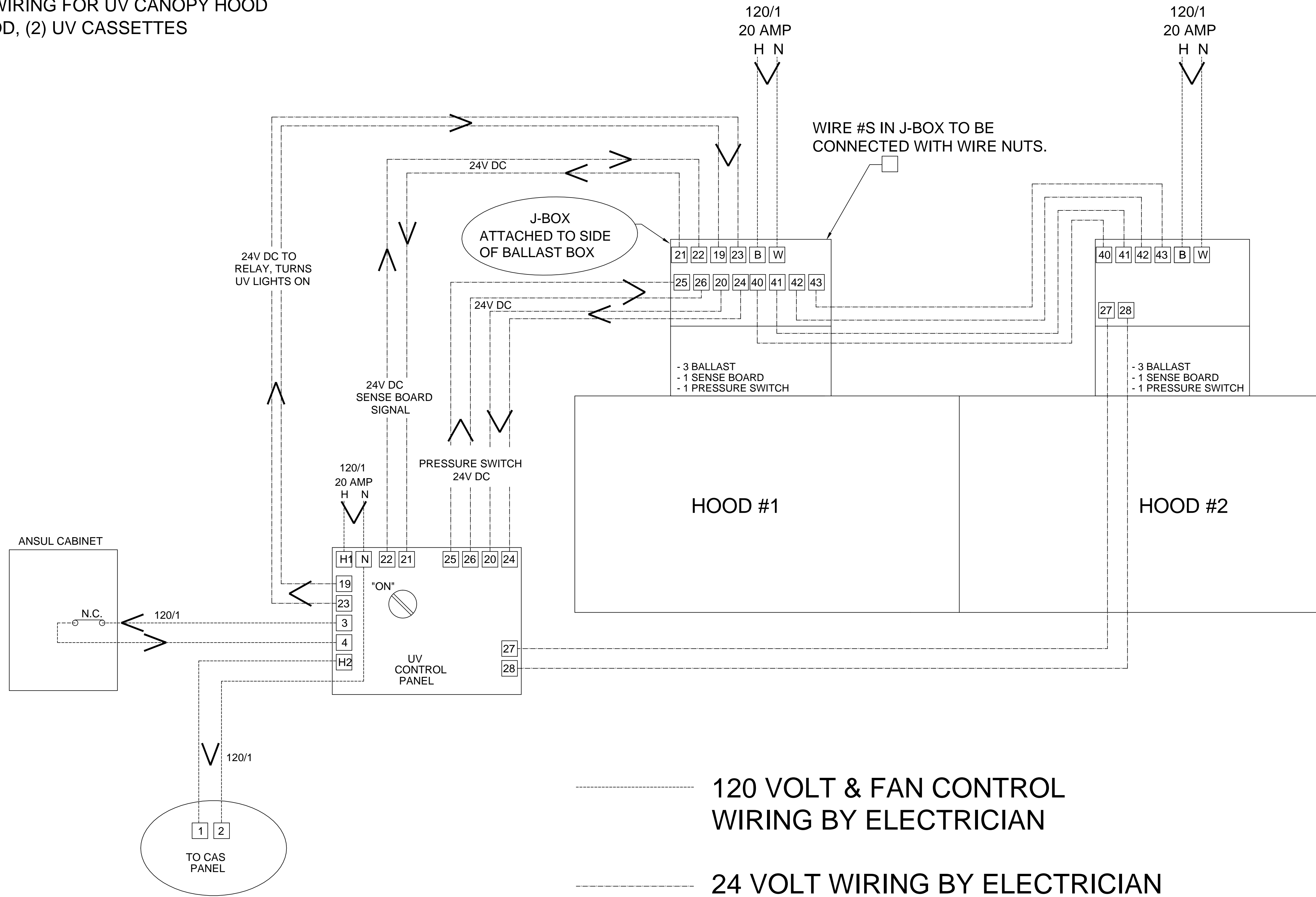
DWG# D-1-1064

GENERAL CONTRACT CONDITIONS

ELECTRICAL WORK DONE BY CADDY CORPORATION IS EXECUTED IN COMPLIANCE WITH STANDARDS PUBLISHED BY THE UNDERWRITER'S LABORATORIES, INC. INSOFAR AS APPLICABLE, AND THE LATEST EDITION OF THE NATIONAL ELECTRICAL CODE (NEC). CADDY CORPORATION DOES NOT ACCEPT ANY RESPONSIBILITY FOR THE REQUIREMENTS OF ANY REGIONAL AND/OR LOCAL CODES THAT ADD OR DEVIATED FROM THE ACCEPTED STANDARDS OF THE ABOVE AGENCIES. ANY FIELD WORK RELATING TO THE MODIFICATION OF ELECTRIC OR PLUMBING SYSTEMS, TO MEET REGIONAL OR LOCAL CODE REQUIREMENTS IS TO BE DONE BY OTHERS AND WITHOUT BACK CHARGES TO CADDY CORPORATION, UNLESS THESE CONDITIONS WERE PREVIOUSLY BROUGHT TO OUR ATTENTION AND ARE EXPRESSLY INCLUDED IN OUR WRITTEN QUOTATION.

ALL WIRING AND PLUMBING AT THE JOB SITE IS THE RESPONSIBILITY OF OTHERS. EQUIPMENT WILL BE CONSTRUCTED IN ACCORDANCE WITH OUR DRAWING(S) WHICH MUST BE APPROVED PRIOR TO FABRICATION. ANY SUBSEQUENT CHANGES REQUIRED MUST BE SUBMITTED TO US IN WRITING AND ACKNOWLEDGED ON OUR STANDARD FORM.

FIELD WIRING FOR UV CANOPY HOOD
(2) HOOD, (2) UV CASSETTES



INSTALLATION INFORMATION
 ALLOW SUFFICIENT AREA TO MOUNT UVC CONTROL BOX ON CLOSEST STRUCTURAL WALL TO VENTILATOR
 MAXIMUM UVC CONTROL BOX DIMENSIONS
 14" LONG x 6 3/8" DEEP x 16" HIGH
 ESTIMATED TOTAL HANGING WEIGHT: 30 LBS.

GENERAL CONTRACT CONDITIONS
 ELECTRICAL WORK DONE BY CADDY CORPORATION IS EXECUTED IN COMPLIANCE WITH STANDARDS PUBLISHED BY THE UNDERWRITER'S LABORATORIES, INC. INsofar AS APPLICABLE, AND THE LATEST EDITION OF THE NATIONAL ELECTRICAL CODE (NEC). CADDY CORPORATION DOES NOT ACCEPT ANY RESPONSIBILITY FOR THE REQUIREMENTS OF ANY REGIONAL AND/OR LOCAL CODES THAT ADD OR DEVIATED FROM THE ACCEPTED STANDARDS OF THE ABOVE AGENCIES. ANY FIELD WORK RELATING TO THE MODIFICATION OF ELECTRIC OR PLUMBING SYSTEMS, TO MEET REGIONAL OR LOCAL CODE REQUIREMENTS IS TO BE DONE BY OTHERS AND WITHOUT BACK CHARGES TO CADDY CORPORATION, UNLESS THESE CONDITIONS WERE PREVIOUSLY BROUGHT TO OUR ATTENTION AND ARE EXPRESSLY INCLUDED IN OUR WRITTEN QUOTATION.
 ALL WIRING AND PLUMBING AT THE JOB SITE IS THE RESPONSIBILITY OF OTHERS. EQUIPMENT WILL BE CONSTRUCTED IN ACCORDANCE WITH OUR DRAWING(S) WHICH MUST BE APPROVED PRIOR TO FABRICATION. ANY SUBSEQUENT CHANGES REQUIRED MUST BE SUBMITTED TO US IN WRITING AND ACKNOWLEDGED ON OUR STANDARD FORM.

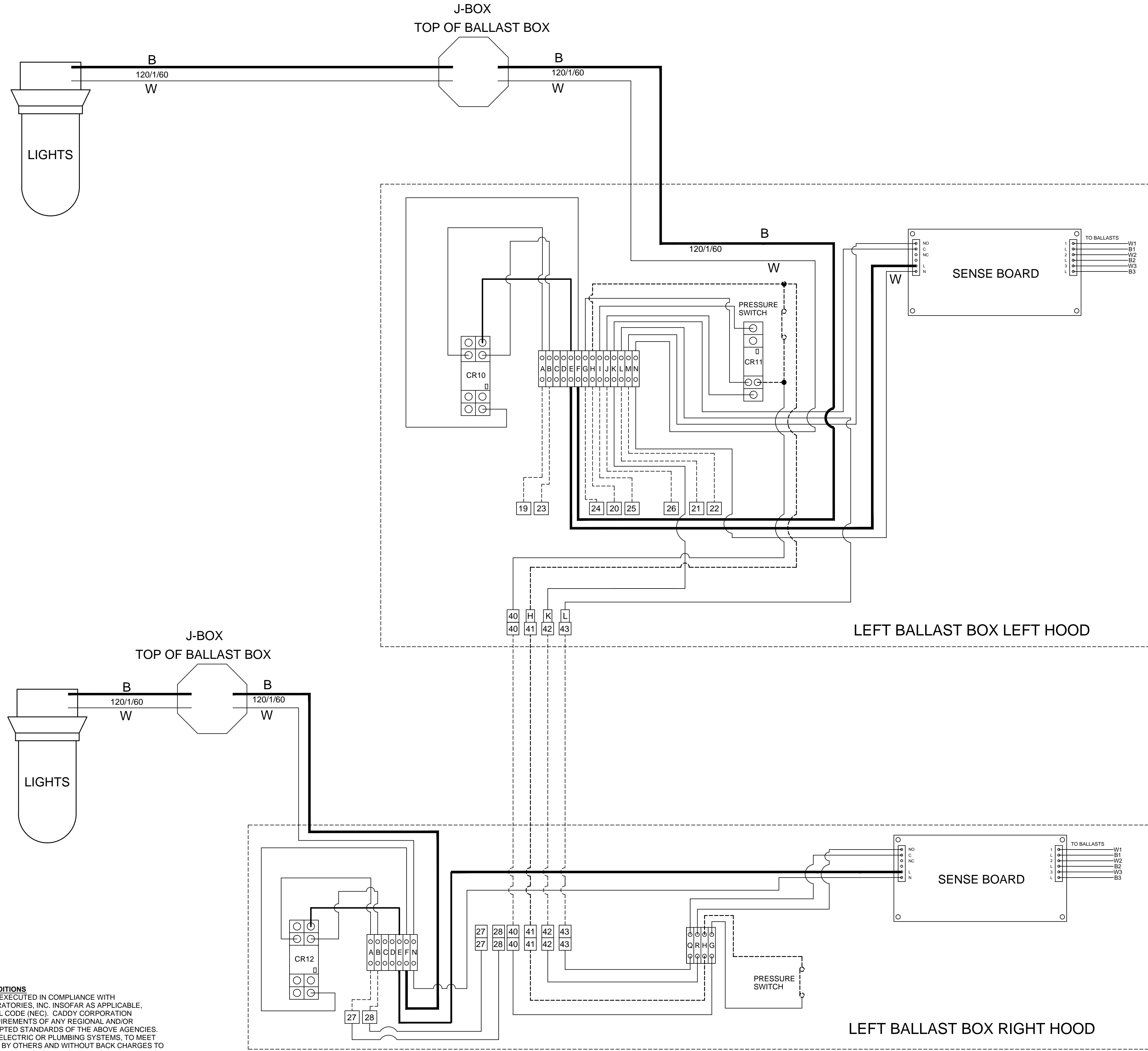
REVISIONS			
REV	DATE	BY	REMARKS
B	5-11-04	AGR	ADDED THIS SHEET

<p>509 SHARPTOWN ROAD P.O. BOX 345 BRIDGEPORT NJ 08014 Tel:(856) 467-4222 Fax:(856) 467-5511</p>	
EQUIPMENT SCHEDULE	
FIELD WIRING FOR UV (2) HOOD, (2) CASSETTES	
CADDY NO. 1064-2	ITEM NO. 2
JOB: LA DOLCE VITA LOC: CUST: CUST#:	

DATE	05/13/04	SCALE	AS NOTED
DR BY	AGR	APP'D BY	

DWG# D-1-1064 SHT 4 OF 6

2 CANOPY HOODS (2 CASSETTES)



GENERAL CONTRACT CONDITIONS
 ELECTRICAL WORK DONE BY CADDY CORPORATION IS EXECUTED IN COMPLIANCE WITH STANDARDS PUBLISHED BY THE UNDERWRITERS LABORATORIES, INC. INSOFAR AS APPLICABLE, AND THE LATEST EDITION OF THE NATIONAL ELECTRICAL CODE (NEC). CADDY CORPORATION DOES NOT ACCEPT ANY RESPONSIBILITY FOR THE REQUIREMENTS OF ANY REGIONAL AND/OR LOCAL CODES THAT ADD OR DEVIATED FROM THE ACCEPTED STANDARDS OF THE ABOVE AGENCIES. ANY FIELD WORK RELATING TO THE MODIFICATION OF ELECTRIC OR PLUMBING SYSTEMS, TO MEET REGIONAL OR LOCAL CODE REQUIREMENTS IS TO BE DONE BY OTHERS AND WITHOUT BACK CHARGES TO CADDY CORPORATION, UNLESS THESE CONDITIONS WERE PREVIOUSLY BROUGHT TO OUR ATTENTION AND ARE EXPRESSLY INCLUDED IN OUR WRITTEN QUOTATION.
 ALL WIRING AND PLUMBING AT THE JOB SITE IS THE RESPONSIBILITY OF OTHERS. EQUIPMENT WILL BE CONSTRUCTED IN ACCORDANCE WITH OUR DRAWING(S) WHICH MUST BE APPROVED PRIOR TO FABRICATION. ANY SUBSEQUENT CHANGES REQUIRED MUST BE SUBMITTED TO US IN WRITING AND ACKNOWLEDGED ON OUR STANDARD FORM.

REVISIONS			
REV	DATE	BY	REMARKS
B	5-11-04	AGR	ADDED THIS SHEET

CADDY AirSystems
 509 SHARPTOWN ROAD
 P.O. BOX 345 BRIDGEPORT NJ 08014
 Tel:(856) 467-4222 Fax:(856) 467-5511

EQUIPMENT SCHEDULE

BALLAST BOX WIRING

CADDY NO. 1064-2 ITEM NO. 2

JOB: LA DOLCE VITA
 LOC:
 CUST:
 CUST#:

15721B

