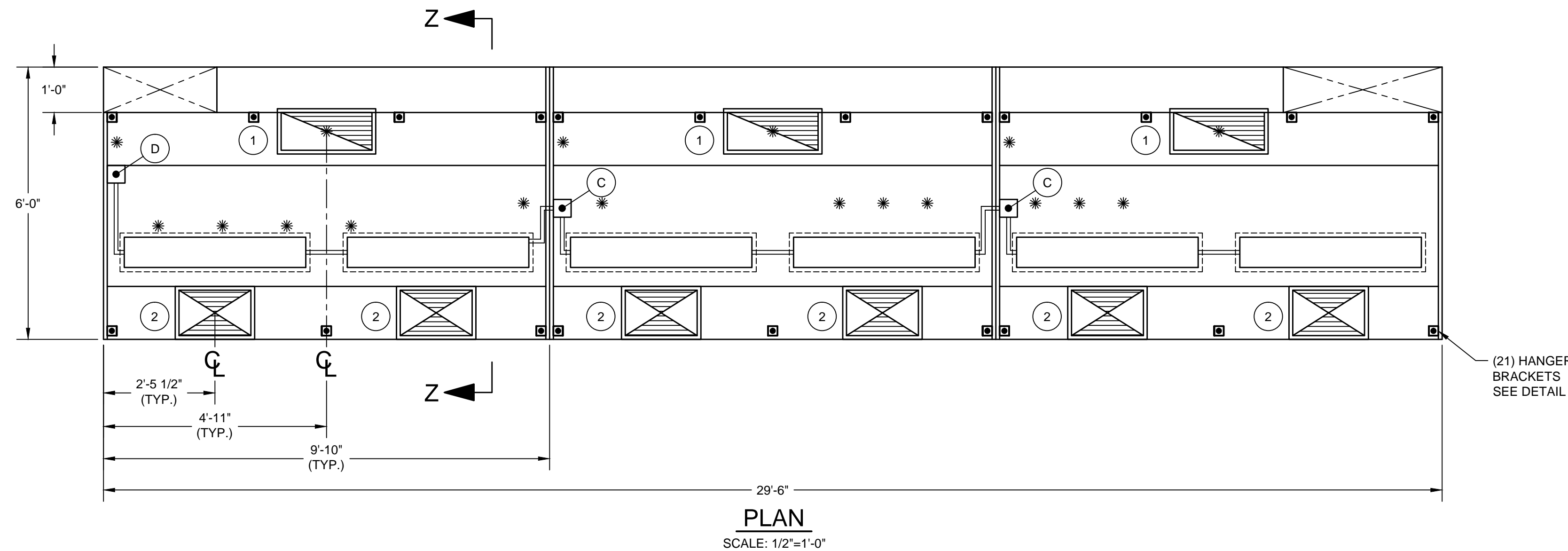


NOTE:
K.E.C. MUST VERIFY THE EXACT DIMENSION OF THE COOKING EQUIPMENT FROM EITHER THE WALL OR FROM THE FRONT OF THE HOOD, SO CADDY MAY PROPERLY LOCATE THE FIRE PROTECTION NOZZLES AT TIME-OF-FABRICATION IN THE FACTORY. IF EQUIPMENT IS NOT LOCATED AS SHOWN AND THE DRAWING IS APPROVED FOR FABRICATION, THEN NOZZLES MUST BE RELOCATED AT THE EXPENSE OF OTHERS.

CONTRACTOR NOTE:
ALLOW SUFFICIENT ACCESS ON TOP OF VENTILATOR TO SERVICE COMPONENTS AND UTILITIES

MAKE-UP AIR NOTE:
AIR TEMPERATURE SHOULD RANGE FROM 60° TO 65° F, BUT MAY BE AS LOW AS 50° F DEPENDING ON AIR VOLUME, DISTRIBUTION, AND INTERNAL HEAT LOAD



TOTAL EXHAUST : 8,850 C.F.M.
TOTAL SUPPLY : 7,080 C.F.M.

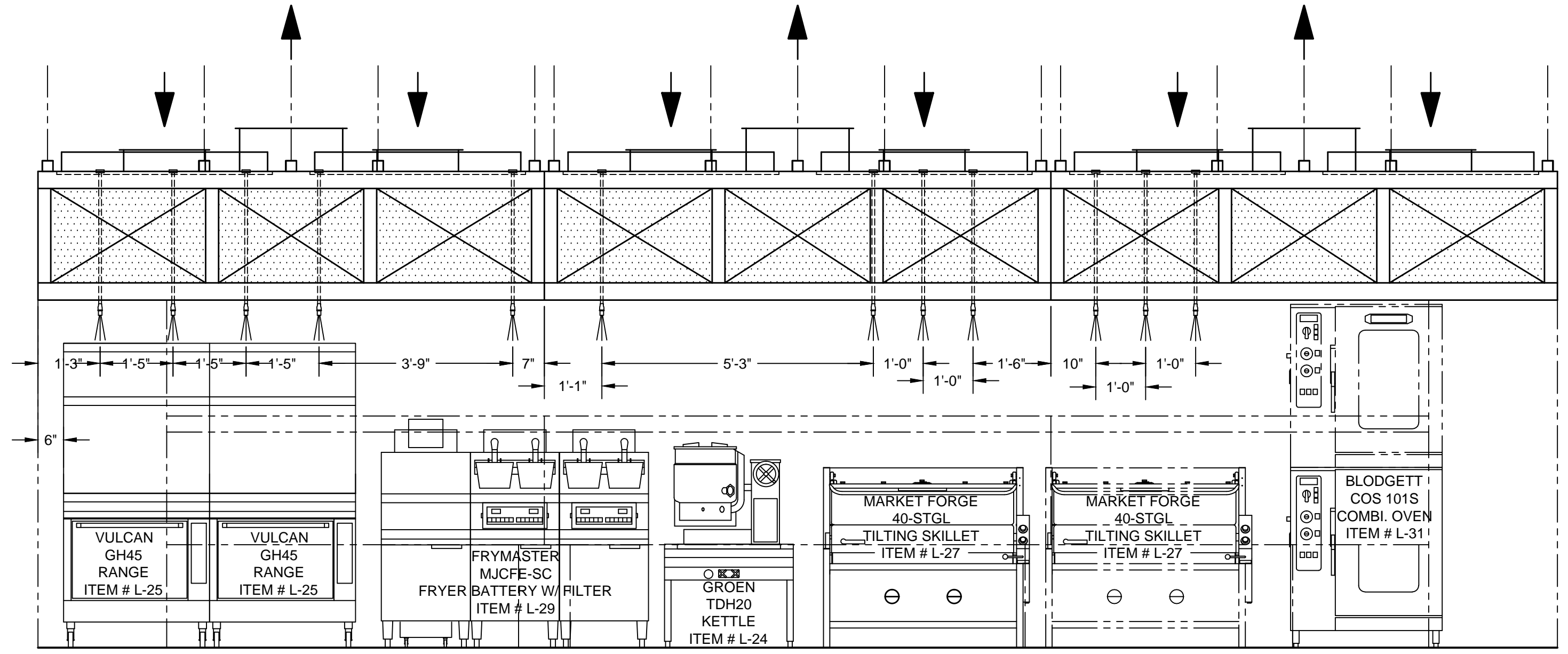
1 10' X 24" EXHAUST DUCTS
2950 C.F.M. EACH @ 1.60" S.P. 2 12' X 19" SUPPLY DUCTS
1180 C.F.M. EACH @ 0.20" S.P.

ELECTRICAL NOTES:
1. LIGHT FIXTURES, VAPORPROOF, U.L. LISTED, FURNISHED, INSTALLED AND WIRED TO J-BOX BY CADDY. DISCONNECTED FOR SHIPPING AT J-BOX. RECONNECTED ON JOBSITE BY ELECTRICAL CONTRACTOR.
2. LIGHT SWITCH FOR LIGHT FIXTURE WITH 120 VOLTS A.C. SERVICE BY CADDY. SWITCH LOCATED IN UDS RISER ITEM # L-23.

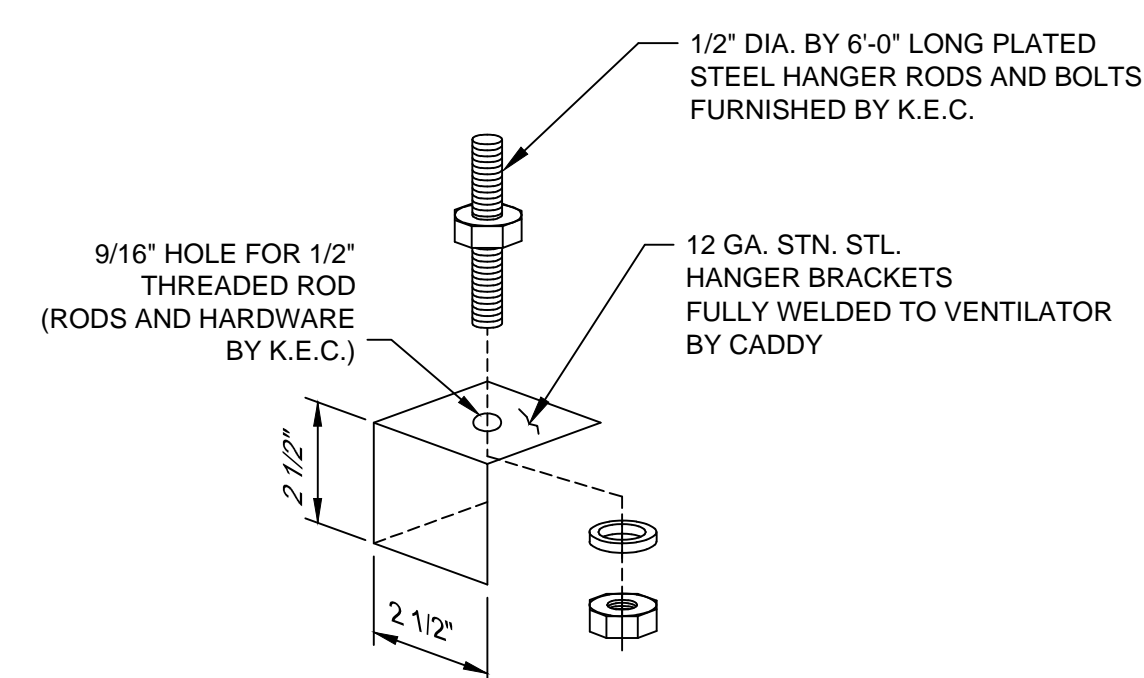
VENTILATOR HANGING HEIGHT INCREASED FROM 6'-6" TO 6'-9" TO ALLOW FOR ITEM #L-31 (STACKED EXISTING AND FUTURE COMBI. OVENS)

THE CADDY VENTILATOR TESTING, LISTING AND APPROVAL REFERENCES:

- NATIONAL FIRE PROTECTION ASSOCIATION
In accordance with Recommendation of National Fire Protection Association's NFPA No. 96
"Vapor Removal from Cooking Equipment"
- NATIONAL SANITATION FOUNDATION
Standard #2 - "Food Service Equipment"
- UNDERWRITERS LABORATORIES, INC
Tested under standard U.L. 710 "Exhaust Hoods for Commercial Cooking Equipment". U.L. listed under file number MH8215 and MH12264
- UNIFORM MECHANICAL CODE
Section 507 - Commercial Kitchen Hoods and Kitchen Ventilation Systems
- THE BOCA NATIONAL MECHANICAL CODE
Chapter 5 - Kitchen Exhaust Equipment
- STANDARD MECHANICAL CODE (SBCCI)
Section 504 - Commercial Hoods
- UNIFORM BUILDING CODE (ICBO)



ELEVATION
SCALE: 1/2"=1'-0"



HANGER BRACKET DETAIL
SCALE: 1/4"=1"

K.E.C. TO VERIFY ALL MAKES AND MODELS OF COOKING EQUIPMENT, REVIEW PLAN FOR PROPER LINE-UP PRIOR TO FABRICATION OF VENTILATORS, AND TO NOTIFY CADDY OF ANY CHANGES.

* - MINIMUM OVERHANG FROM EDGE OF COOKING EQUIPMENT TO END OF HOOD MUST BE 6"

INSTALLATION INFORMATION

ALLOW SUFFICIENT ACCESS TO BRING VENTILATOR INTO KITCHEN AREA
MAXIMUM VENTILATOR DIMENSIONS
9'-10" LONG x 6'-0" WIDE x 40" HIGH
ESTIMATED TOTAL HANGING WEIGHT: 2,700 LBS.

VENTILATOR TO BE SHIPPED IN (3) UNITS.
ALL PLUMBING AND ELECTRICAL DISCONNECTED FOR SHIPMENT. RECONNECTED IN FIELD BY PLUMBING AND ELECTRICAL CONTRACTORS.

ROUGH-IN SCHEDULE		DESCRIPTION
SYM	QTY	
D	1	120V, 60HZ, 1PH, 0.48 K.W. CONNECTED LOAD

REVISIONS			
REV	DATE	BY	REMARKS
A	5-15-02	DAT	REMOVED 12'-0" VENTILATOR
B	6-26-02	DAT	REMOVED SUPPORT LEGS
C	8-6-02	BH	REVISED EQUIPMENT LAYOUT AND VENTILATOR HANGING HEIGHT PER DRAWINGS RECEIVED ON 8/2/02
D	8-14-02	DRA	NO CHANGES THIS SHEET
E	9-9-02	BH	NO CHANGES THIS SHEET
F	9-26-02	BAH	NO CHANGES TO THIS SHEET

CADDY AirSystems
509 SHARPTOWN ROAD
P.O. BOX 345 BRIDGEPORT NJ 08014
Tel:(856) 467-4222 Fax:(856) 467-5511

EQUIPMENT SCHEDULE

SH-C-PA-I-72
02/19/03 : " AS BUILT " DRAWING
CADDY NO. 05044 ITEM NO. L-34

JOB: MEMPHIS CITY SCHOOL
CENTRAL NUTRITION CENTER
LOC: MEMPHIS, TN.
CUST:
CUST#:

DWG# D-1-05044 SHT 1 OF 12

GENERAL CONTRACT CONDITIONS
ELECTRICAL WORK DONE BY CADDY CORPORATION IS EXECUTED IN COMPLIANCE WITH STANDARDS PUBLISHED BY THE UNDERWRITERS LABORATORIES, INC. INsofar AS APPLICABLE, AND THE LATEST EDITION OF THE NATIONAL ELECTRICAL CODE (NEC). CADDY CORPORATION DOES NOT ACCEPT ANY RESPONSIBILITY FOR THE REQUIREMENTS OF ANY REGIONAL AND/OR LOCAL CODES THAT ADD OR DEVIATED FROM THE ACCEPTED STANDARDS OF THE ABOVE AGENCIES. ANY FIELD WORK RELATING TO THE MODIFICATION OF ELECTRIC OR PLUMBING SYSTEMS, TO MEET REGIONAL OR LOCAL CODE REQUIREMENTS IS TO BE DONE BY OTHERS AND WITHOUT BACK CHARGES TO CADDY CORPORATION, UNLESS THESE CONDITIONS WERE PREVIOUSLY BROUGHT TO OUR ATTENTION AND ARE EXPRESSLY INCLUDED IN OUR WRITTEN QUOTATION.
ALL WIRING AND PLUMBING AT THE JOB SITE IS THE RESPONSIBILITY OF OTHERS. EQUIPMENT WILL BE CONSTRUCTED IN ACCORDANCE WITH OUR DRAWING(S) WHICH MUST BE APPROVED PRIOR TO FABRICATION. ANY SUBSEQUENT CHANGES REQUIRED MUST BE SUBMITTED TO US IN WRITING AND ACKNOWLEDGED ON OUR STANDARD FORM.

GENERAL NOTES

- EXHAUST AIR REQUIREMENTS:**
- EXHAUST C.F.M. BASED ON 300 C.F.M. PER LINEAR FOOT.
 - EXHAUST STATIC PRESSURE IS 1.60" W.G. AT DUCT TAKE-OFF COLLAR. TOTAL DUCT STATIC MUST BE ADDED. STATIC BASED ON OPERATION AT MEAN SEA LEVEL.
 - DUCT SIZE BASED ON 1800 F.P.M..
- EXHAUST FAN REQUIREMENTS:**
- TYPE - INDUCED DRAFT, SQUIRREL CAGE, BACKWARD INCLINED BLADES, EXHAUST FAN DISCHARGE SHOULD BE VERTICAL, AWAY FROM AIR INTAKES. FAN FURNISHED BY OTHERS.
 - EXHAUST FAN MUST BE FURNISHED WITH A MAGNETIC STARTER WITH 120 VOLT HOLDING COIL. STARTER FURNISHED BY OTHERS.
- MAKE-UP AIR REQUIREMENTS:**
- AIR EXHAUSTED FROM KITCHEN MUST BE REPLACED - WITH DISTRIBUTION CONTROLLED TO PROVIDE FOR TOTAL KITCHEN. VENTILATION AND TO ESTABLISH NECESSARY AIR PATTERNS FOR PROPER PERFORMANCE OF THE VENTILATORS. AIR DISTRIBUTION SYSTEMS SHALL BE IN ACCORDANCE WITH ALL GOVERNING CODES.
 - MAKE-UP AIR MUST BE TEMPERED - HEATED OR COOLED - CONSISTENT WITH THE STYLE OF HOOD, HEAT LOAD, CLIMATIC CONDITIONS AND APPLICABLE CODES.
- INSTALLATION:**
- VENTILATORS TO BE INSTALLED IN ACCORDANCE WITH ALL CODES.
- CONTRACTORS MUST REVIEW APPLICABLE CODES WITH CODE AUTHORITIES BEFORE APPROVING DRAWINGS FOR FABRICATION. SPECIAL ATTENTION MUST BE GIVEN TO CODE REGULATIONS RELATIVE TO CLEARANCES FROM SURROUNDING COMBUSTIBLE CONSTRUCTION (WALL, CEILINGS, ETC.).**
- ALL DUCTWORK BEYOND VENTILATOR DUCT TAKE-OFF COLLAR TO BE PROVIDED AND INSTALLED BY OTHERS, IN ACCORDANCE WITH JURISDICTIONAL CODES. DUCTS MUST BE MECHANICALLY STRONG, GREASE AND WATER TIGHT.
 - MOUNTING RODS FURNISHED AND INSTALLED BY OTHERS.
- CONSTRUCTION:**
- VENTILATORS TO BE MANUFACTURED IN STRICT ACCORDANCE WITH CADDY SPECIFICATIONS.
 - VENTILATORS CONSTRUCTED OF 18 GA. STAINLESS STEEL, TYPE 304 NO. 4 FINISH.
- FIRE PROTECTION:**
- SURFACE FIRE PROTECTION PROVIDED AND INSTALLED BY CADDY (ANSUL R-102).
 - CAUTION: SURFACE FIRE PROTECTION SYSTEM INSTALLATION MUST BE COORDINATED WITH CADDY TO PREVENT SYSTEMS INTERFERENCE WITH VENTILATOR'S OPERATION/PERFORMANCE. IMPROPER INSTALLATION MAY VOID U.L. LISTINGS OF THE EQUIPMENT.
 - IMPORTANT NOTE: NFPA 96 REQUIRES THAT ALL GAS AND ELECTRIC COOKING EQUIPMENT THAT IS PROTECTED BY A SURFACE FIRE PROTECTION SYSTEM MUST AUTOMATICALLY SHUT OFF UPON ACTIVATION OF THE SYSTEM.
- ELECTRICAL REQUIREMENTS:**
- LIGHT FIXTURE BULBS PROVIDED AND INSTALLED BY OTHERS.

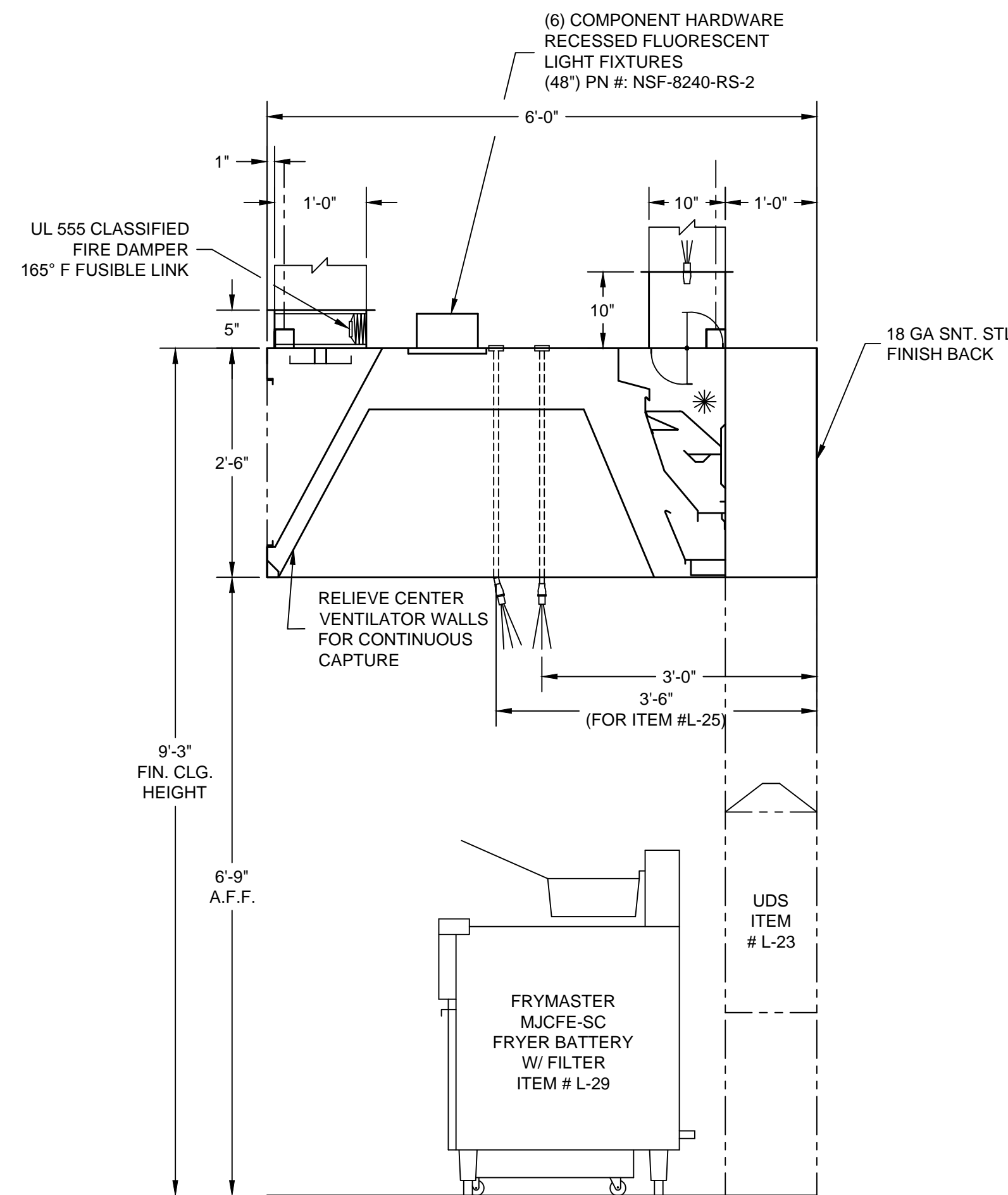
ELECTRICAL NOTES:

- LIGHT FIXTURES, VAPORPROOF, U.L. LISTED, FURNISHED, INSTALLED AND WIRED TO J-BOX BY CADDY. DISCONNECTED FOR SHIPPING AT J-BOX. RECONNECTED ON JOBSITE BY ELECTRICAL CONTRACTOR.
- LIGHT SWITCH FOR LIGHT FIXTURE WITH 120 VOLTS A.C. SERVICE BY CADDY. SWITCH LOCATED IN UDS RISER ITEM # L-23.

NOTE:
K.E.C. MUST VERIFY THE EXACT DIMENSION OF THE COOKING EQUIPMENT FROM EITHER THE WALL OR FROM THE FRONT OF THE HOOD, SO CADDY MAY PROPERLY LOCATE THE FIRE PROTECTION NOZZLES AT TIME-OF-FABRICATION IN THE FACTORY. IF EQUIPMENT IS NOT LOCATED AS SHOWN AND THE DRAWING IS APPROVED FOR FABRICATION, THEN NOZZLES MUST BE RELOCATED AT THE EXPENSE OF OTHERS.

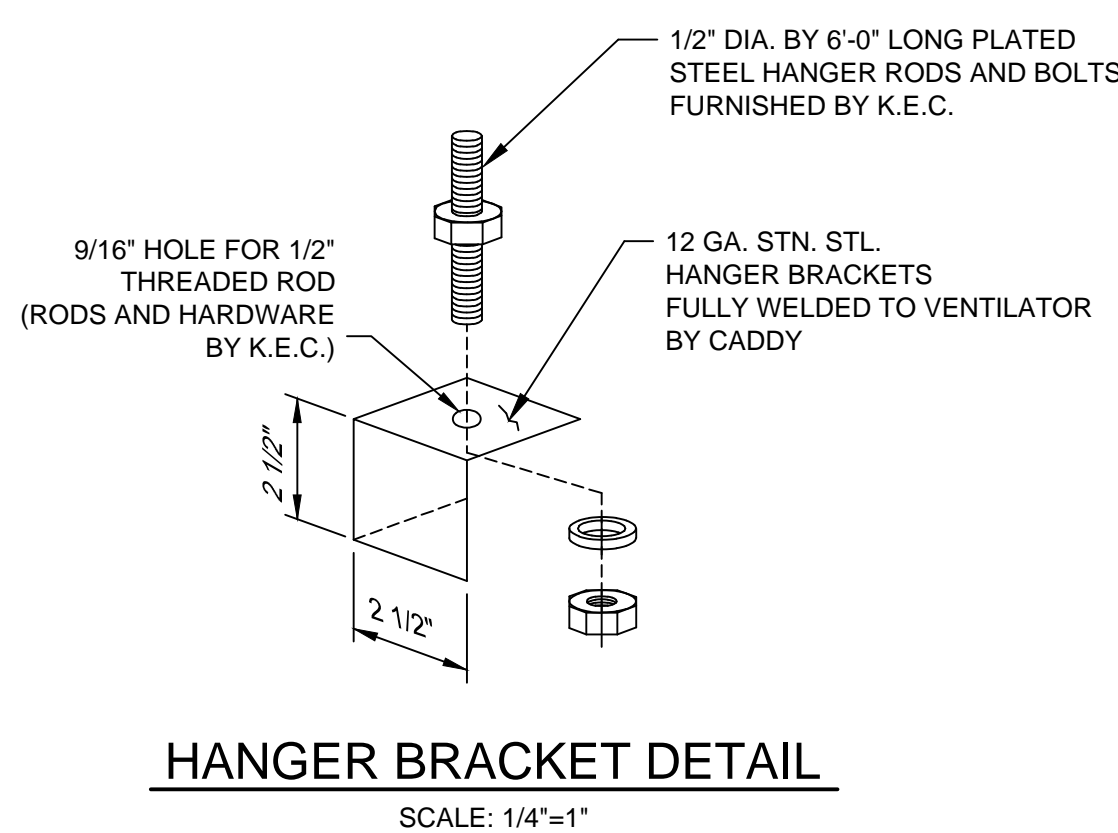
CONTRACTOR NOTE:
ALLOW SUFFICIENT ACCESS ON TOP OF VENTILATOR TO SERVICE COMPONENTS AND UTILITIES

MAKE-UP AIR NOTE:
AIR TEMPERATURE SHOULD RANGE FROM 60° TO 65° F, BUT MAY BE AS LOW AS 50° F DEPENDING ON AIR VOLUME, DISTRIBUTION, AND INTERNAL HEAT LOAD



SECTION Z-Z
SCALE: 3/4"=1'-0"

VENTILATOR HANGING HEIGHT INCREASED FROM 6'-6" TO 6'-9" TO ALLOW FOR ITEM #L-31 (STACKED EXISTING AND FUTURE COMBI. OVENS)



HANGER BRACKET DETAIL
SCALE: 1/4"=1"

K.E.C. TO VERIFY ALL MAKES AND MODELS OF COOKING EQUIPMENT, REVIEW PLAN FOR PROPER LINE-UP PRIOR TO FABRICATION OF VENTILATORS, AND TO NOTIFY CADDY OF ANY CHANGES.

INSTALLATION INFORMATION

ALLOW SUFFICIENT ACCESS TO BRING VENTILATOR INTO KITCHEN AREA. MAXIMUM VENTILATOR DIMENSIONS 9'-10" LONG x 6'-0" WIDE x 40" HIGH. ESTIMATED TOTAL HANGING WEIGHT: 2,700 LBS.

VENTILATOR TO BE SHIPPED IN (3) UNITS. ALL PLUMBING AND ELECTRICAL DISCONNECTED FOR SHIPMENT. RECONNECTED IN FIELD BY PLUMBING AND ELECTRICAL CONTRACTORS.

SYM		QTY	DESCRIPTION
D	1	120V, 60HZ, 1PH, 0.48 K.W.	CONNECTED LOAD

REVISIONS			
REV	DATE	BY	REMARKS
A	5-20-02	DAT	REMOVED 12'-0" VENTILATOR
B	6-26-02	DAT	REMOVED SUPPORT LEGS
C	8-6-02	BH	REVISED EQUIPMENT LAYOUT AND VENTILATOR HANGING HEIGHT PER RECEIVED DRAWINGS ON 8/2/02
D	8-14-02	DRA	NO CHANGES THIS SHEET
E	9-9-02	BH	NO CHANGES THIS SHEET
F	9-26-02	BAH	REVISED PER FABRICATION

CADDY AirSystems
509 SHARPTOWN ROAD
P.O. BOX 345 BRIDGEPORT NJ 08014
Tel:(856) 467-4222 Fax:(856) 467-5511

EQUIPMENT SCHEDULE

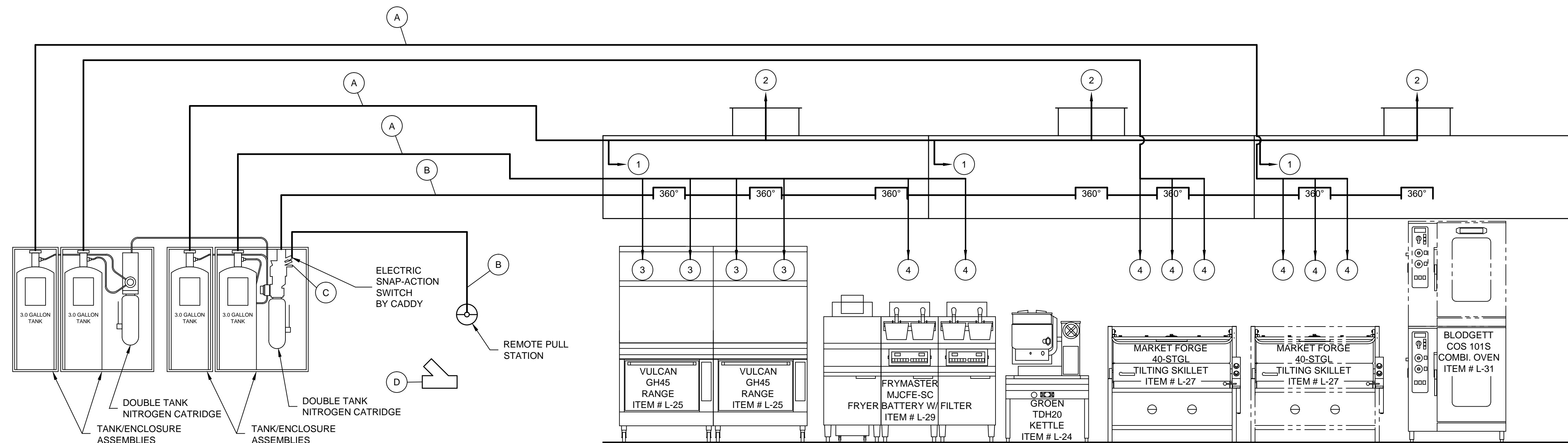
SH-C-PA-I-72
02/19/03 : " AS BUILT " DRAWING

CADDY NO. 05044 ITEM NO. L-34

JOB: MEMPHIS CITY SCHOOL
CENTRAL NUTRITION CENTER
LOC: MEMPHIS, TN.
CUST:
CUST#:

DWG# D-1-05044 SHT 2 OF 12

GENERAL CONTRACT CONDITIONS
ELECTRICAL WORK DONE BY CADDY CORPORATION IS EXECUTED IN COMPLIANCE WITH STANDARDS PUBLISHED BY THE UNDERWRITER'S LABORATORIES, INC. INSOFAR AS APPLICABLE, AND THE LATEST EDITION OF THE NATIONAL ELECTRICAL CODE (NEC). CADDY CORPORATION DOES NOT ACCEPT ANY RESPONSIBILITY FOR THE REQUIREMENTS OF ANY REGIONAL AND/OR LOCAL CODES THAT ADD OR DEVIATED FROM THE ACCEPTED STANDARDS OF THE ABOVE AGENCIES. ANY FIELD WORK RELATING TO THE MODIFICATION OF ELECTRIC OR PLUMBING SYSTEMS, TO MEET REGIONAL OR LOCAL CODE REQUIREMENTS IS TO BE DONE BY OTHERS AND WITHOUT BACK CHARGES TO CADDY CORPORATION, UNLESS THESE CONDITIONS WERE PREVIOUSLY BROUGHT TO OUR ATTENTION AND ARE EXPRESSLY INCLUDED IN OUR WRITTEN QUOTATION.
ALL WIRING AND PLUMBING AT THE JOB SITE IS THE RESPONSIBILITY OF OTHERS. EQUIPMENT WILL BE CONSTRUCTED IN ACCORDANCE WITH OUR DRAWING(S) WHICH MUST BE APPROVED PRIOR TO FABRICATION. ANY SUBSEQUENT CHANGES REQUIRED MUST BE SUBMITTED TO US IN WRITING AND ACKNOWLEDGED ON OUR STANDARD FORM.



ELEVATION
SCALE: 1/2"=1'-0"

ANSUL ROUGH-IN

SYM	DESCRIPTION
A	3/8" SCH 40 BLACK IRON PIPE
B	1/2" EMT CONDUIT
C	MICRO SWITCH FOR ELECTRIC SHUT-DOWN AND/OR ALARM BY CADDY WIRING BY OTHERS.
D	2" 120/1/60 SOLENOID TYPE GAS VALVES FURNISHED AND INSTALLED BY CADDY (LOCATED IN UDS RISERS ITEM # L-34)

ANSUL NOZZLE DATA

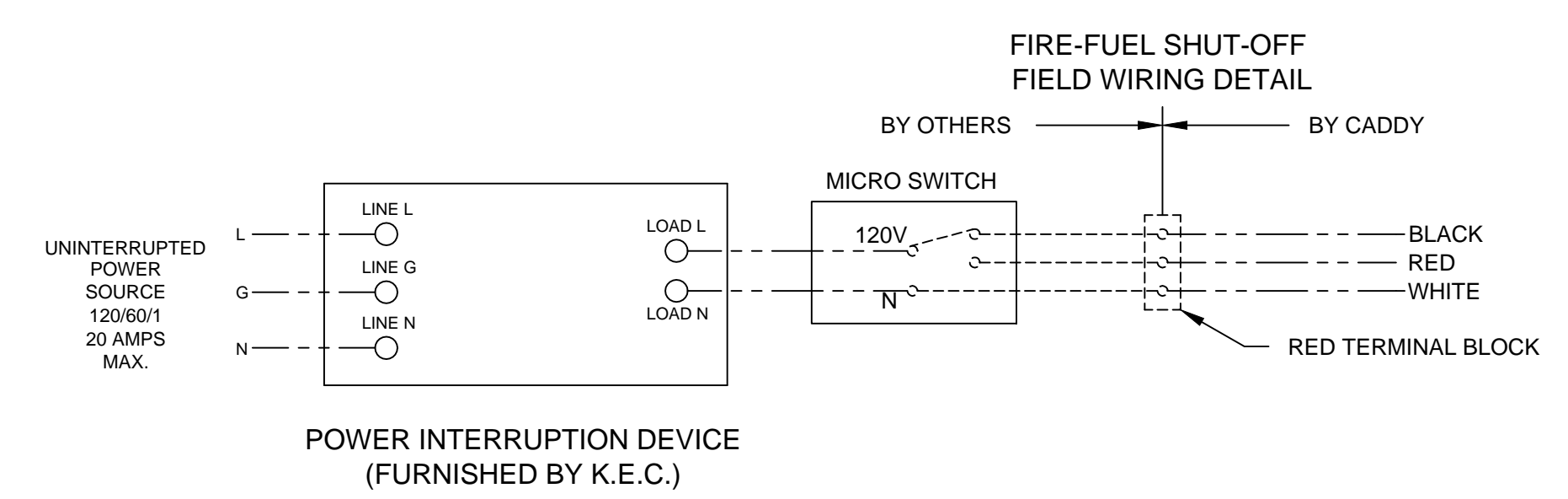
SYM	QTY	DESCRIPTION
1	3	ANSUL #1N
2	3	ANSUL #2W
3	4	ANSUL #1F
4	5	ANSUL #3N

ANSUL R-102 3/3/3/3 SYSTEM

FOR VENTILATOR ITEMS # L-34



**FIRE-FUEL SHUT-OFF
FIELD WIRING DETAIL**



GENERAL CONTRACT CONDITIONS
ELECTRICAL WORK DONE BY CADDY CORPORATION IS EXECUTED IN COMPLIANCE WITH STANDARDS PUBLISHED BY THE UNDERWRITER'S LABORATORIES, INC. INsofar AS APPLICABLE, AND THE LATEST EDITION OF THE NATIONAL ELECTRICAL CODE (NEC). CADDY CORPORATION DOES NOT ACCEPT ANY RESPONSIBILITY FOR THE REQUIREMENTS OF ANY REGIONAL AND/OR LOCAL CODES THAT ADD OR DEVIATED FROM THE ACCEPTED STANDARDS OF THE ABOVE AGENCIES. ANY FIELD WORK RELATING TO THE MODIFICATION OF ELECTRIC OR PLUMBING SYSTEMS, TO MEET REGIONAL OR LOCAL CODE REQUIREMENTS IS TO BE DONE BY OTHERS AND WITHOUT BACK CHARGES TO CADDY CORPORATION, UNLESS THESE CONDITIONS WERE PREVIOUSLY BROUGHT TO OUR ATTENTION AND ARE EXPRESSLY INCLUDED IN OUR WRITTEN QUOTATION. ALL WIRING AND PLUMBING AT THE JOB SITE IS THE RESPONSIBILITY OF OTHERS. EQUIPMENT WILL BE CONSTRUCTED IN ACCORDANCE WITH OUR DRAWING(S) WHICH MUST BE APPROVED PRIOR TO FABRICATION. ANY SUBSEQUENT CHANGES REQUIRED MUST BE SUBMITTED TO US IN WRITING AND ACKNOWLEDGED ON OUR STANDARD FORM.

INSTALLATION INFORMATION

ALLOW SUFFICIENT AREA TO MOUNT ANSUL ON CLOSEST STRUCTURAL WALL TO VENTILATOR
MAXIMUM ANSUL ENCLOSURE DIMENSIONS
42' LONG x 7 1/2' DEEP x 23 1/2' HIGH
ESTIMATED TOTAL HANGING WEIGHT: 150 LBS.
ENCLOSURE MOUNTING HEIGHT 7'-0"

REVISIONS			
REV	DATE	BY	REMARKS
A	5-20-02	DAT	REMOVED 12'-0" VENT. AND RESIZED ANSUL SYSTEM
B	6-26-02	DAT	NO CHANGES THIS SHEET
C	8-6-02	BH	REVISED EQUIPMENT LAYOUT AND VENTILATOR HANGING HEIGHT PER RECEIVED DRAWINGS ON 8/2/02
D	8-14-02	DRA	NO CHANGES THIS SHEET
E	9-9-02	BH	NO CHANGES THIS SHEET
F	9-26-02	BAH	NO CHANGES TO THIS SHEET

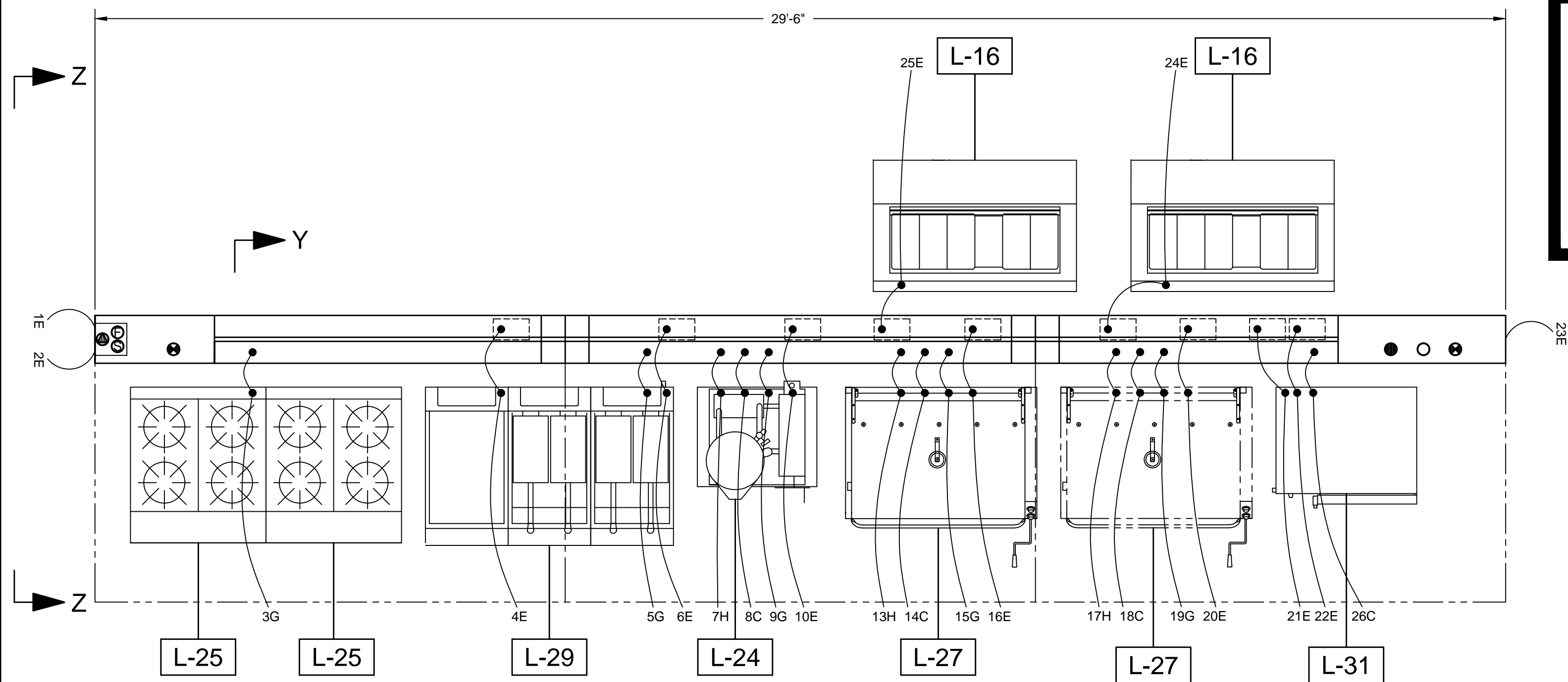
CADDY AirSystems
509 SHARPTOWN ROAD
P.O. BOX 345 BRIDGEPORT NJ 08014
Tel:(856) 467-4222 Fax:(856) 467-5511

EQUIPMENT SCHEDULE

ANSUL R-102 3/3/3/3
02/19/03 : " AS BUILT " DRAWING
CADDY NO. 05044 ITEM NO. L-34
JOB: MEMPHIS CITY SCHOOL
CENTRAL NUTRITION CENTER
LOC: MEMPHIS, TN.
CUST:
CUST#:

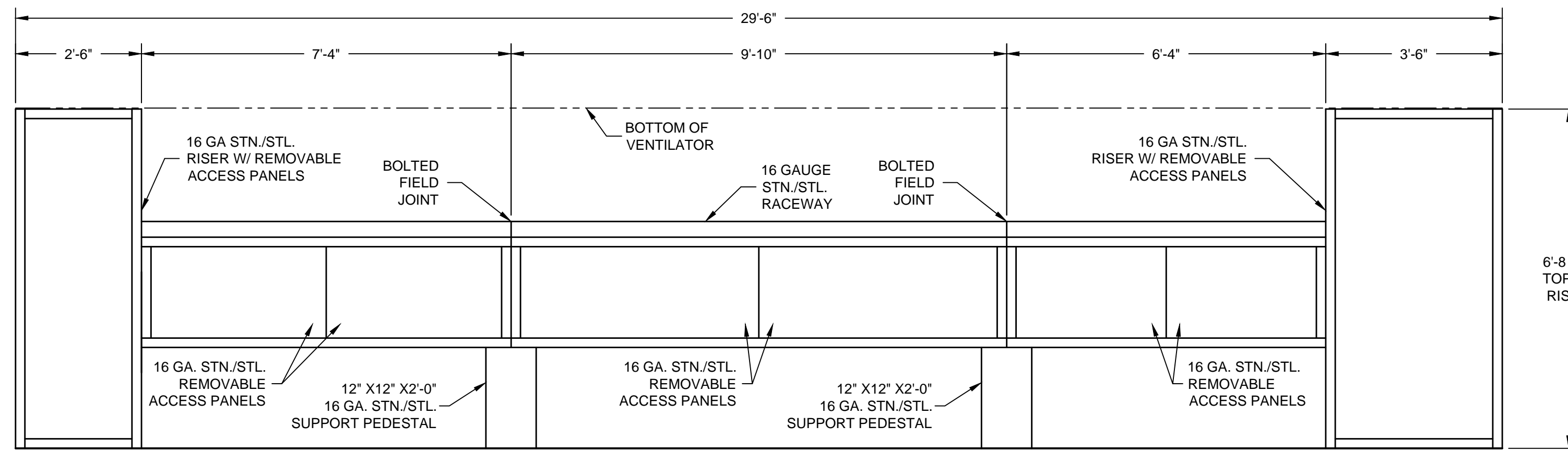
DATE	01/09/02	SCALE	AS NOTED
DR BY	DAT	APP'D BY	

DWG# D-1-05044 SHT 3 OF 12



PLAN VIEW

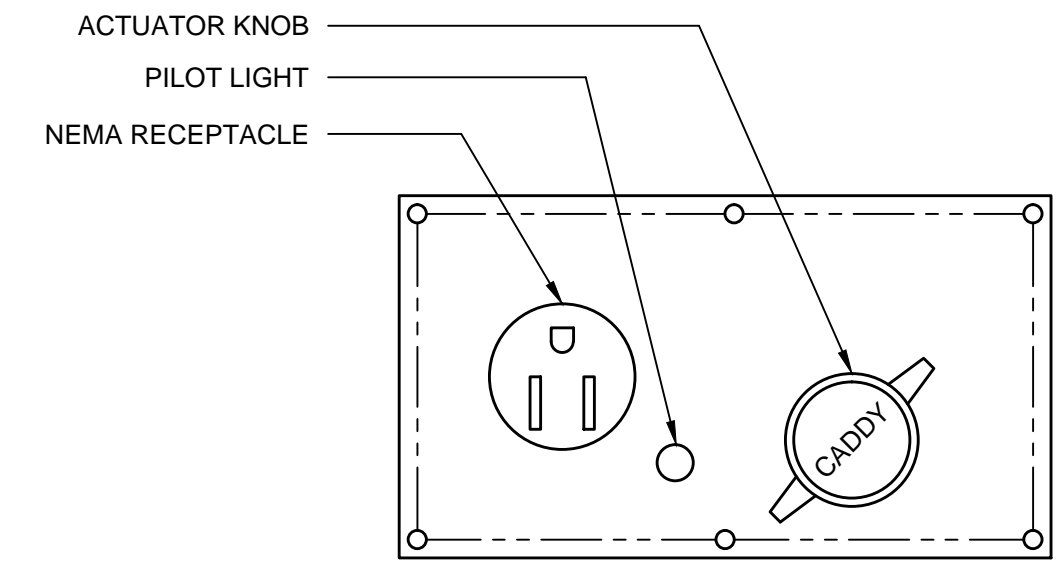
ALL UTILITIES INCLUDE 25% OVER-CAPACITY FOR FUTURE EXPANSION



ELEVATION VIEW

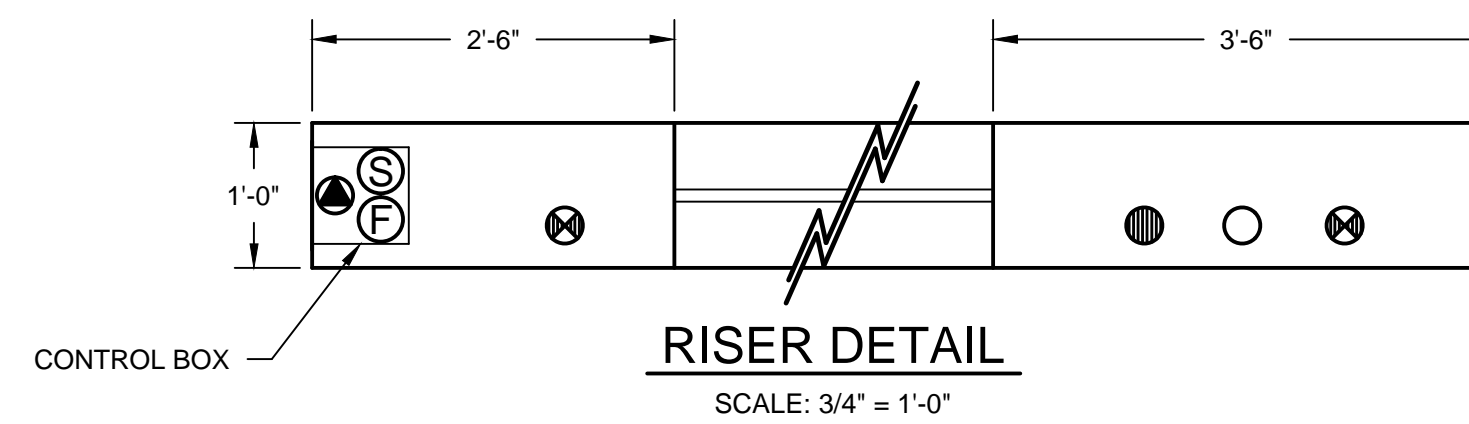
SCALE: 1/2"=1'-0"

CODE COMPLIANCE
 THE UTILITY DISTRIBUTION SYSTEM SHALL BE U.L. LISTED UNDER THE CATEGORY "UTILITY DISTRIBUTION SYSTEM" AND MANUFACTURED IN ACCORDANCE WITH THE NATIONAL ELECTRICAL CODE (NEC), NATIONAL ELECTRICAL MANUFACTURER'S ASSOCIATES (NEMA), NATIONAL FIRE PROTECTION ASSOCIATION (NFPA) PAMPHLET NUMBER 96 AND 54, UNIFORM PLUMBING CODE (UPC), AMERICAN SOCIETY OF MECHANICAL ENGINEERS (ASME), NATIONAL SANITATION FOUNDATION (NSF), AND OCCUPATIONAL SAFETY AND HEALTH ADMINISTRATION (OSHA) USING ONLY U.L. LISTED, BUREAU OF MINES RATES, AGA CERTIFIED AND CGA CERTIFIED COMPONENTS.



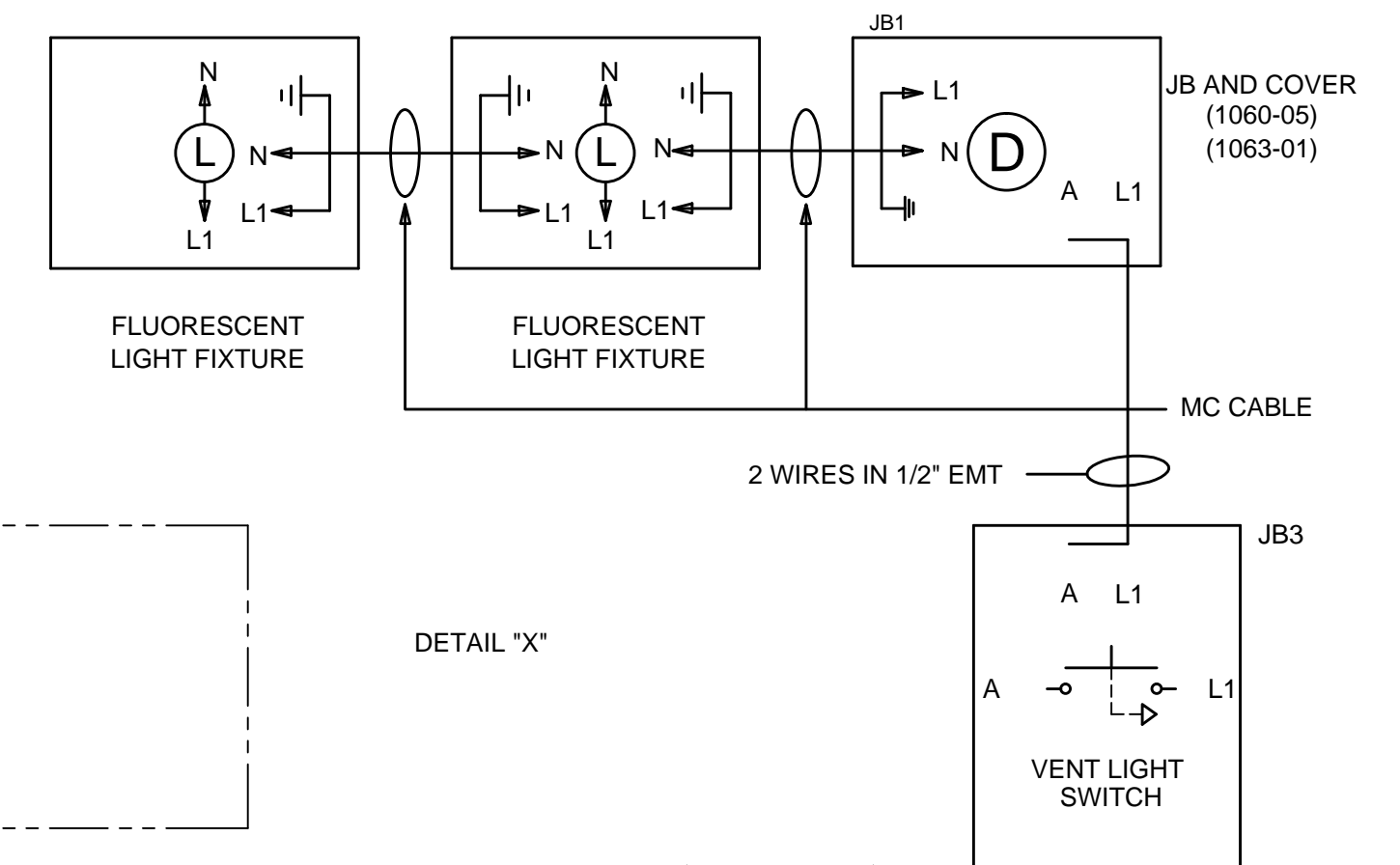
TYPICAL CADDY CONNECTION PLATE

HOUSING POINT OF USE CIRCUIT BREAKER INCLUDES PILOT LIGHT ACTUATOR KNOB AND NEMA RECEPTACLE. SHALL BE 5" x 9" AND MOUNTED AS SHOWN. (RECEPTACLE COVER NOT SHOWN.)

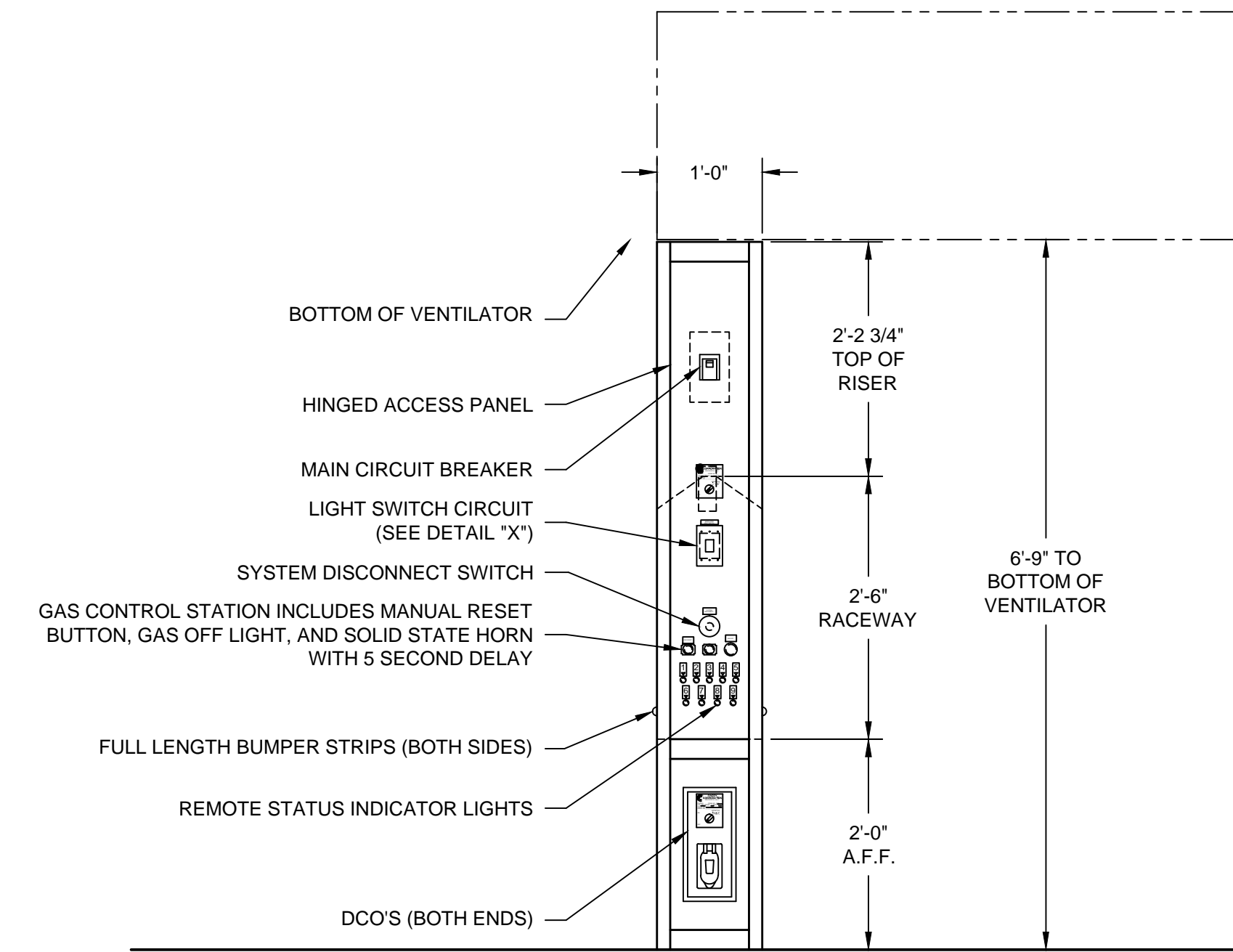


RISER DETAIL

SCALE: 3/4" = 1'-0"

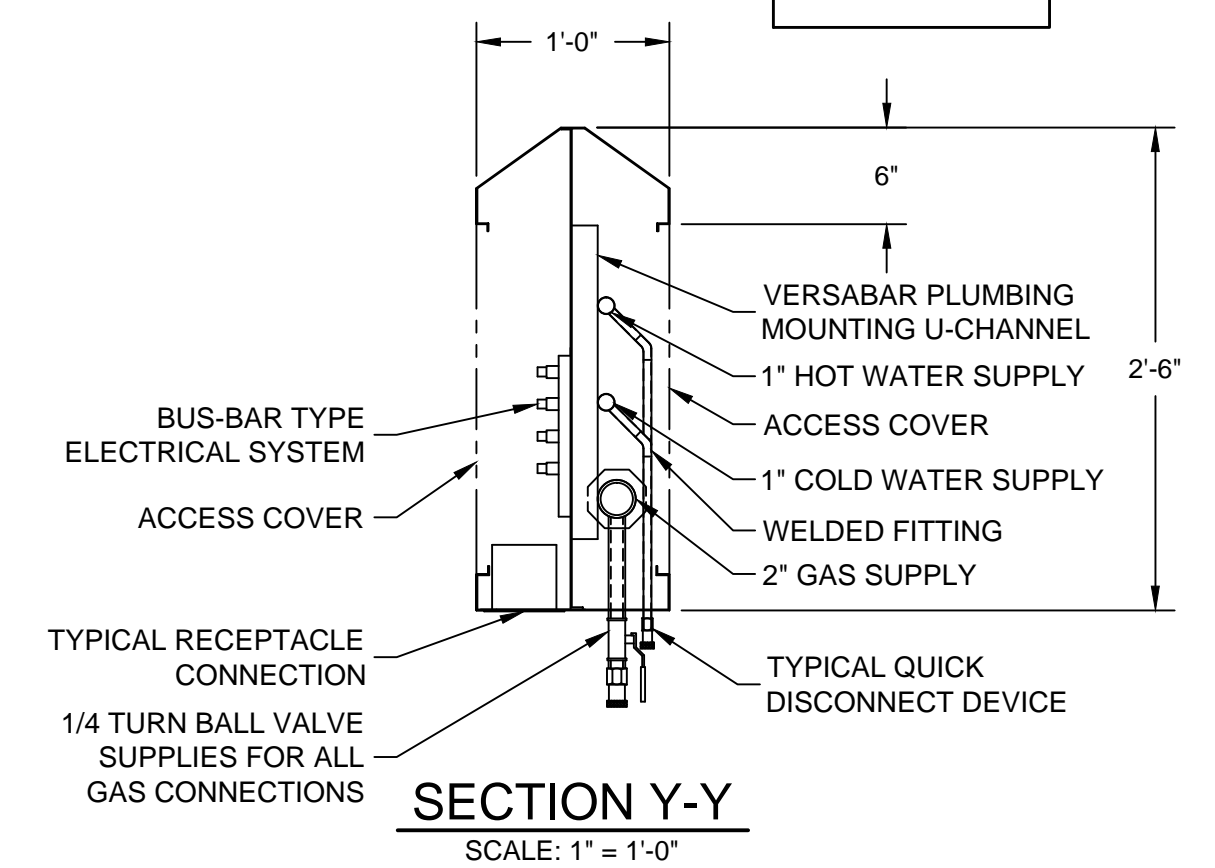


DETAIL "X"



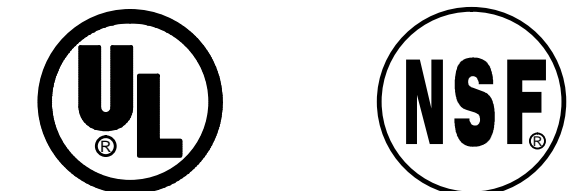
END VIEW Z-Z

SCALE: 3/4" = 1'-0"

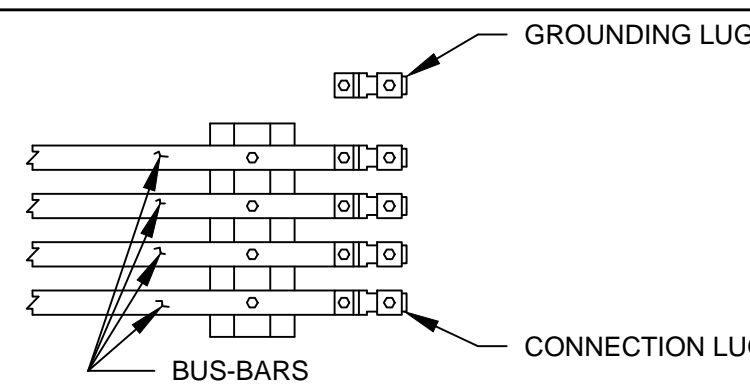


SECTION Y-Y

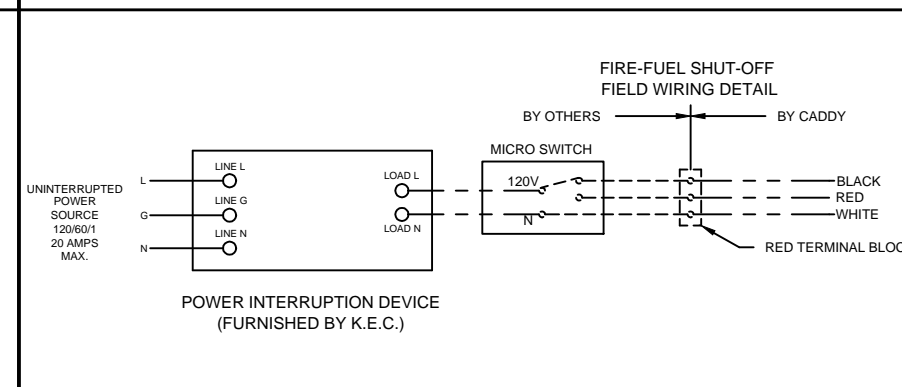
SCALE: 1" = 1'-0"



TYPICAL ELECTRICAL SERVICE CONNECTION



FIRE-FUEL SHUT-OFF FIELD WIRING DETAIL



NOTES

1. THIS UNIT IS TO BE SHIPPED IN THREE (3) PIECES AS SHOWN IN PLAN VIEW. [X] VERIFY FOR ENTRANCE INTO BUILDING AND UNIT AREA.
2. [X] VERIFY ROUGHING SCHEDULE.
3. NAT'L SANITATION FOUNDATION-STANDARD #2-"FOOD SERVICE EQUIPMENT". UNIFORM BUILDING CODE (ICBO). UNDERWRITERS LAB INC. U.L. LISTED UNDER FILE #E60695.
4. ALL "VERIFIES" ON THIS DRAWING MUST BE CONFIRMED. YOUR FABRICATION APPROVAL SHALL INDICATE YOUR ACCEPTANCE AS SHOWN.
5. ELECTRICAL CONTRACTOR MUST ROUGH-IN UP TO THE MAIN BREAKER CONNECTION LUGS.

ROUGH-IN SCHEDULE

SYM	QTY	DESCRIPTION	PLEASE SPECIFY		
			CILING	FLOOR	OTHER
⊗	1	120/208V, 3Ø, 60Hz, 200 AMPS			
⊗	2	2" GAS SUPPLY 1,201 MBTU (LOOPED)			
⊙	1	1" HOT WATER SUPPLY			
○	1	1" COLD WATER SUPPLY			
⊕	1	FIRE FUEL SHUT-OFF SEE DETAIL			
⊙	1	VENTILATOR LIGHT SWITCH CIRCUIT			

REVISIONS

REV	DATE	BY	REMARKS
A	5-23-02	DAT	EQUIPMENT UNDER 12'-0" VENTILATOR
B	6-26-02	DAT	REMOVED VENTILATOR SUPPORTS
C	8-7-02	BH	REVISED EQUIPMENT LAYOUT AND RISER HEIGHT PER DRAWINGS RECEIVED 8/02/02
D	8-14-02	DRA	NO CHANGES THIS SHEET
E	9-9-02	BH	NO CHANGES THIS SHEET
F	9-24-02	BAH	REVISED PER APPROVED DRAWING.

CADDY Air Systems
 509 SHARPTOWN ROAD
 P.O. BOX 345 BRIDGEPORT NJ 08014
 Tel:(856) 467-4222 Fax:(856) 467-5511

EQUIPMENT SCHEDULE

UTILITY DISTRIBUTION SYSTEM
 MODEL: CA-ID-EGW-030
 29'-6" LONG
 02/19/03 : " AS BUILT " DRAWING
 CADDY NO. 05044 ITEM NO. L-23

JOB: MEMPHIS CITY SCHOOL
 CENTRAL NUTRITION CENTER
 LOC: MEMPHIS, TN.
 CUST:
 CUST#:

DWG# D-1-05044

SHT 4 OF 12

GENERAL CONTRACT CONDITIONS
 ELECTRICAL WORK DONE BY CADDY CORPORATION IS EXECUTED IN COMPLIANCE WITH STANDARDS PUBLISHED BY THE UNDERWRITERS LABORATORIES, INC. INSOFAR AS APPLICABLE, AND THE LATEST EDITION OF THE NATIONAL ELECTRICAL CODE (NEC). CADDY CORPORATION DOES NOT ACCEPT ANY RESPONSIBILITY FOR THE REQUIREMENTS OF ANY REGIONAL AND/OR LOCAL CODES THAT ADD OR DEVIATED FROM THE ACCEPTED STANDARDS OF THE ABOVE AGENCIES. ANY FIELD WORK RELATING TO THE MODIFICATION OF ELECTRIC OR PLUMBING SYSTEMS, TO MEET REGIONAL OR LOCAL CODE REQUIREMENTS IS TO BE DONE BY OTHERS AND WITHOUT BACK CHARGES TO CADDY CORPORATION, UNLESS THESE CONDITIONS WERE PREVIOUSLY BROUGHT TO OUR ATTENTION AND ARE EXPRESSLY INCLUDED IN OUR WRITTEN QUOTATION.
 ALL WIRING AND PLUMBING AT THE JOB SITE IS THE RESPONSIBILITY OF OTHERS. EQUIPMENT WILL BE CONSTRUCTED IN ACCORDANCE WITH OUR DRAWING(S) WHICH MUST BE APPROVED PRIOR TO FABRICATION. ANY SUBSEQUENT CHANGES REQUIRED MUST BE SUBMITTED TO US IN WRITING AND ACKNOWLEDGED ON OUR STANDARD FORM.

CONNECTION LEGEND			
E=ELECTRICAL	G=GAS	SS=SUPERSWIVEL	CF=CIMFAST
S=STEAM SUPPLY	R=STEAM RETURN	DS=DOUBLE SUPERSWIVEL	GF=GROUND FAULT
H=HOT WATER	C=COLD WATER	QD=QUICK DISCONNECT	HC=HARD CONN.

SCHEDULE OF UTILITY CONNECTIONS

CONN. NO.	ITEM NO.	EQUIPMENT DESCRIPTION	ELECTRICAL						GAS			STEAM			WATER		CONNECTIONS			HOT	COLD	INSTALL IN BUS-TUBS	INSTALL IN RESTAURANT SERVICE			
			KW	AMPS	VOLTS	Ø	BREAKER AMPS	NEMA NO.	OUTLET NO.	BTU'S PER HOUR	IPS	TRANSITION SIZE	LBS PER HOUR AT 40 PSI	SUPPLY IPS	RETURN IPS	TRANSITION SIZE	CONNECTION TYPE	CONN. LENGTH	CONN. STYLE							
1E	L-23	U.D.S. DUPLEX CONVENIENCE OUTLET	1.5	12	120	1	15	5-15R	5262																X	
2E	L-34	VENTILATOR LIGHT SWITCH	1.5	12	120	1	15																		X	
3G	L-25	(2) VULCAN GH45 RANGE										340,000	1 1/4"												X	X
4E	L-29	FRYMASTER FILTER	1.0	9	120	1	15	5-15R	5261																X	
5G	L-29	FRYMASTER MJCFE-SC FRYER										300,000	1 1/4"												X	X
6E	L-29	FRYMASTER MJCFE-SC FRYER	0.5	1	120	1	15	5-15R	5261																X	
7H	L-24	GROEN TDH20 KETTLE																		3/8"						
8C	L-24	GROEN TDH20 KETTLE																		3/8"						
9G	L-24	GROEN TDH20 KETTLE										31,000	1/2"												X	X
10E	L-24	GROEN TDH20 KETTLE	0.5	1	120	1	15	5-15R	5261																X	
11		SPARE NUMBER																								
12		SPARE NUMBER																								
13H	L-27	MARKET FORGE 40-STGL 40 GALLON TILTING SKILLET																		3/8"						
14C	L-27	MARKET FORGE 40-STGL 40 GALLON TILTING SKILLET																		3/8"						
15G	L-27	MARKET FORGE 40-STGL 40 GALLON TILTING SKILLET										145,000	3/4"												X	X
16E	L-27	MARKET FORGE 40-STGL 40 GALLON TILTING SKILLET	0.5	6	120	1	15	5-15R	5261																X	
17H	L-27	MARKET FORGE 40-STGL 40 GALLON TILTING SKILLET																		3/8"						
18C	L-27	MARKET FORGE 40-STGL 40 GALLON TILTING SKILLET																		3/8"						
19G	L-27	MARKET FORGE 40-STGL 40 GALLON TILTING SKILLET										145,000	3/4"												X	X
20E	L-27	MARKET FORGE 40-STGL 40 GALLON TILTING SKILLET	0.5	6	120	1	15	5-15R	5261																X	
21E	L-31	BLODGETT COS-101S COMBI. OVEN	18.5	52	208	3	80	NONE	JRF-1033F																X	
22E	L-31	BLODGETT COS-101S COMBI. OVEN	18.5	52	208	3	80	NONE	JRF-1033F																X	
23E	L-23	U.D.S. DUPLEX CONVENIENCE OUTLET	1.5	12	120	1	15	5-15R	5262																X	
24E	L-16	ASSEMBLY REFRIGERATOR	1.0	10	120	1	15	5-15R	5261																X	
25E	L-16	ASSEMBLY REFRIGERATOR	1.0	10	120	1	15	5-15R	5261																X	
26C	L-31	BLODGETT COS-101S COMBI. OVEN																		3/4"						

NOTE: MAIN CIRCUIT BREAKER FURNISHED AND INSTALLED BY CADDY.

GENERAL CONTRACT CONDITIONS
 ELECTRICAL WORK DONE BY CADDY CORPORATION IS EXECUTED IN COMPLIANCE WITH STANDARDS PUBLISHED BY THE UNDERWRITERS LABORATORIES, INC. INsofar AS APPLICABLE, AND THE LATEST EDITION OF THE NATIONAL ELECTRICAL CODE (NEC). CADDY CORPORATION DOES NOT ACCEPT ANY RESPONSIBILITY FOR THE REQUIREMENTS OF ANY REGIONAL AND/OR LOCAL CODES THAT ADD OR DEVIATED FROM THE ACCEPTED STANDARDS OF THE ABOVE AGENCIES. ANY FIELD WORK RELATING TO THE MODIFICATION OF ELECTRIC OR PLUMBING SYSTEMS, TO MEET REGIONAL OR LOCAL CODE REQUIREMENTS IS TO BE DONE BY OTHERS AND WITHOUT BACK CHARGES TO CADDY CORPORATION, UNLESS THESE CONDITIONS WERE PREVIOUSLY BROUGHT TO OUR ATTENTION AND ARE EXPRESSLY INCLUDED IN OUR WRITTEN QUOTATION.
 ALL WIRING AND PLUMBING AT THE JOB SITE IS THE RESPONSIBILITY OF OTHERS. EQUIPMENT WILL BE CONSTRUCTED IN ACCORDANCE WITH OUR DRAWING(S) WHICH MUST BE APPROVED PRIOR TO FABRICATION. ANY SUBSEQUENT CHANGES REQUIRED MUST BE SUBMITTED TO US IN WRITING AND ACKNOWLEDGED ON OUR STANDARD FORM.

ALL UTILITIES
 DOWN FROM ABOVE
 [X] VERIFY

ELECTRICAL CONTRACT REQUIREMENTS
 1. INSPECT FOR LOOSE CONNECTIONS (CAUSED BY SHIPPING) AND TIGHTEN AS REQUIRED.
 2. PROVIDE AND INSTALL MAIN SERVICE FEEDER AND OVERCURRENT PROTECTION DEVICES RATED AT A CONTINUOUS OPERATING LOAD FOR EACH ELECTRICAL ROUGHING. SIZES INDICATED HAVE BEEN CALCULATED AT 125% OF THEIR CONTINUOUS LOAD. THIS ALLOWS FOR DERATING PER N.E.C.
 3. INSTALL ELECTRICAL SERVICE FROM STUB-IN LOCATION (SEE SHEET 1) TO CADDY TERMINALS. PROVIDE CONDUIT AND WIRING.
 4. PROVIDE AND INSTALL 120V 1PH FIRE-FUEL SHUT-OFF CIRCUIT IN 1/2" CONDUIT FROM FIRE EXTINGUISHING SYSTEM IN BUILDING TO RED TERMINAL BLOCK IN CADDY UTILITY DISTRIBUTION SYSTEM. CIRCUIT POWER AND BREAKER SUPPLIED BY OTHERS EXTERNAL OF RACEWAY.

PLUMBING CONTRACT REQUIREMENTS
 1. PROVIDE AND INSTALL SERVICE SUPPLY PIPES FROM STUB-IN LOCATION TO PIPES IN CADDY ENERGY DISTRIBUTION SYSTEM FOR EACH PLUMBING ROUGHING.
 2. INSTALL CADDY HOSE ASSEMBLIES FROM CADDY ENERGY DISTRIBUTION SYSTEM TO APPROPRIATE PIECES OF EQUIPMENT PER THIS SUBMISSION DRAWING. PROVIDE AND INSTALL NECESSARY PLUMBING FITTINGS TO PRESENT A NEAT APPEARANCE AND TO INSURE THAT CADDY HOSE ASSEMBLIES DO NOT TOUCH THE FLOOR.
 3. TEST INTERNAL PIPING SYSTEM FOR LEAKS (CAUSED BY SHIPPING) AND TIGHTEN AS REQUIRED.
 4. PROVIDE AND INSTALL PRESSURE REGULATORS FOR APPROPRIATE EQUIPMENT, IF NECESSARY.

INSTALLATION NOTES:

GENERAL CONDITIONS:

- ALL U.D.S. ELECTRIC AND PLUMBING WORK COMPLIES WITH THE FOLLOWING CODES: UNDERWRITERS LABORATORY STANDARDS, NATIONAL ELECTRICAL CODE, NATIONAL FIRE PROTECTION ASSOCIATION (NFPA), NO. 54, AND NO. 96, AMERICAN GAS ASSOCIATION, AND OCCUPATIONAL SAFETY AND HEALTH ADMINISTRATION.
- ANY VARIANCES WITH CODES LISTED ABOVE MUST BE MADE KNOWN TO U.D.S. MANUFACTURER PRIOR TO FABRICATION.
- SIZE OF BUS-BARS ON TOTAL CONNECTED LOAD AS SHOWN IN SCHEDULE, U.D.S. MANUFACTURER MUST BE NOTIFIED, PRIOR TO FABRICATION, IF ADDITIONAL LOADS ARE REQUIRED; IT WILL BE THE OPTION OF THE U.D.S. MANUFACTURER TO ACCEPT OR REJECT THE CHANGES.
- U.D.S. MANUFACTURER WILL VOID ALL GUARANTEES, AND WILL NOT BE HELD RESPONSIBLE FOR CONTINUED SAFE ELECTRICAL OPERATION, IF FOOD SERVICE EQUIP. CONTRACTOR ADDS ELECTRICAL ASSEMBLIES EXCEEDING BUS-BAR CAPACITY, AFTER UTILITY DISTRIBUTION SYSTEM HAS LEFT THE FACTORY.
- UTILITY DISTRIBUTION MANUFACTURER IS ONLY RESPONSIBLE FOR WIRING AND PLUMBING FURNISHED AS PART OF THE UTILITY DISTRIBUTION SYSTEM, ANY ADDITIONAL WIRING AND PLUMBING AT THE INSTALLATION SITE IS THE RESPONSIBILITY OF THE FOOD SERVICE EQUIP. CONTRACTOR.
- THE UTILITY DISTRIBUTION SYSTEMS EXTERNAL ENCLOSURE SHALL BE FABRICATED FROM NO. 16 GAUGE, NO.304 STAINLESS STEEL HAVING A NO. 4 FINISH UNLESS OTHERWISE SPECIFIED.
- GROUND FAULT INTERRUPTION FOR PERSONNEL PROTECTION TO BE PROVIDED FOR SINGLE AND TWO POLE BREAKERS 120/208-1 PHASE UP TO 30 AMPS. BY U.D.S. MANUFACTURER.
- PLUMBING TRANSITIONS FROM U.D.S. MANUFACTURER SUPPLIED GAS HOSES TO F.S.E.C. VERIFIED EQUIPMENT SHALL BY INSTALLED ON HOSES AT TIME OF FABRICATION.

FOOD SERVICE EQUIP. CONTRACTOR:

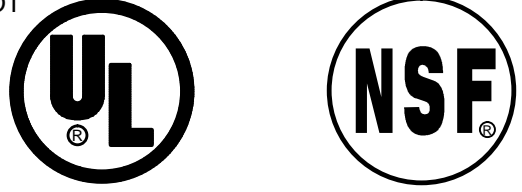
- VERIFY MAKE MODEL AND UTILITY REQUIREMENTS FOR ALL EQUIPMENT LISTED ON SCHEDULE, ALSO SUBMIT CUT SHEETS.
- INDICATE FIELD JOINT LOCATION(S), IF REQUIRED, TO ACCOMMODATE FOR BUILDING ENTRANCE, AND INSTALLATION AREA.
- VERIFY ALL ROUGH-IN REQUIREMENTS OF UTILITY DISTRIBUTION SYSTEM.
- INDICATE ELECTRICAL REQUIREMENTS FOR VENTILATOR EXHAUST AND SUPPLY BLOWER(S).
- ALL U.D.S. MANUFACTURERS DRAWINGS MUST BE SUBMITTED TO LOCAL ELECTRICAL AND PLUMBING AGENCIES FOR APPROVAL PRIOR TO FABRICATION.
- THE DIMENSIONS SHOWN, UNLESS CORRECTED, SHALL BE DEEMED CORRECT UPON RECEIPT OF APPROVAL DRAWING(S).
- ASSEMBLE AND SET UTILITY DISTRIBUTION SYSTEM.
- REMOVE AND REPLACE ALL ACCESS PANELS AND ENCLOSURES SO FIELD SPLICES AND CONNECTIONS CAN BE MADE BY OTHER TRADES.
- CONNECT GAS OPERATED FOOD SERVICE EQUIPMENT WITH EQUIPMENT RETRAINING DEVICES AS PROVIDED WITH THE UTILITY DISTRIBUTION SYSTEM AND ADJUST HOSE LENGTH SO RETAINERS OPERATE EFFECTIVELY.

ELECTRICAL CONTRACTOR:

- INSTALL ELECTRICAL SERVICE TO U.D.S. TERMINAL BLOCKS OR CONNECTING LUGS AS INDICATED ON OUR DRAWINGS.
- CONNECT ALL ELECTRICAL FIELD JOINTS (WHICH INCLUDE RECONNECTING QUICK DISCONNECT SNAP PLUG-IN CONNECTORS FOR CONTROL WIRING AND BOLT IN BUS-BAR SPLICES SUPPLIED WITH THE U.D.S. WHEN APPLICABLE).
- CONNECT FROM FIRE EXTINGUISHING SYSTEMS MICRO-SWITCH OR RELAY TO U.D.S. TERMINAL STRIP.
- RECONNECT MAIN FEED WIRE SEALTIGHT AND ENCLOSED WIRES FROM MAIN CIRCUIT BREAKER TO RACEWAY BUS-BAR FOLLOWING WIRING COLOR CODE.
- CONNECT ALL ELECTRICAL ASSEMBLIES TO FOOD SERVICE EQUIPMENT JUNCTION BOXES, AND TO UTILITY DISTRIBUTION SYSTEM.
- INSPECT FOR, AND TIGHTEN ANY LOOSE CONNECTIONS CAUSED BY SHIPPING.
- CONNECT LOAD SIDE OF OPTIONAL MAGNETIC STARTER(S) IN VERTICAL CHASE TO EXHAUST AND SUPPLY FAN MOTOR(S).
- CONNECT VENTILATOR LIGHT SWITCH(ES) IN VERTICAL CHASE TO JUNCTION BOX(ES) ON VENTILATOR.
- PROVIDE FIELD SERVICE ENTRANCE KNOCKOUTS AS REQUIRED.
- PROVIDE PROPER SERVICE FEEDS AND NECESSARY OVER CURRENT PROTECTION DEVICES IN ACCORDANCE WITH APPLICABLE CODES.
- ALL CORDS WITH PLUGS ARE LIMITED BY CODES IN MOST AREAS TO 6'-0" MAXIMUM IN LENGTH. WHERE THIS IS EXCEEDED THE ELECTRICIAN MUST EXTEND THE FEEDS TO ACCOMMODATE THIS CONDITION.

PLUMBING CONTRACTOR:

- PROVIDE U.D.S. FLEXIBLE DRAIN LINE(S) FROM VENTILATOR TO FLOOR FUNNEL TYPE DRAIN(S).
- CONNECT ALL INCOMING SERVICE PIPING TO VERTICAL CHASE AS SHOWN ON U.D.S. MANUFACTURERS DRAWINGS.
- CONNECT ALL PLUMBING FIELD JOINTS IN UTILITY DISTRIBUTION SYSTEM.
- CONNECT ALL FLEXIBLE HOSE ASSEMBLIES TO FOOD SERVICE EQUIPMENT, AND TO UTILITY DISTRIBUTION SYSTEM.
- INSPECT FOR, AND TIGHTEN ANY LOOSE PLUMBING CONNECTIONS CAUSED BY SHIPPING.
- PROVIDE ALL NECESSARY FITTINGS AND REDUCERS REQUIRED TO OPERATE EQUIPMENT SERVICED BY UTILITY DISTRIBUTION SYSTEM.
- ALL HOSES ARE LIMITED BY CODE IN MOST AREAS TO 6'-0" MAXIMUM LENGTH. WHERE THIS IS EXCEEDED THE PLUMBER MUST EXTEND THE FEEDS TO ACCOMMODATE THIS CONDITION.
- PLUMBING MATERIAL REQUIRED TO CONNECT FROM THE COOKING EQUIPMENT TO THE U.D.S. HOSES SHALL BE FURNISHED AND INSTALLED BY THE PLUMBING CONTRACTOR. THE U.D.S. MANUFACTURER IS NOT RESPONSIBLE FOR THIS EXPENSE.
- PRESSURE CHECK ALL PLUMBING LINES AFTER ALL OF THE U.D.S. FIELD JOINTS HAVE BEEN MADE UP. THE U.D.S. MANUFACTURER IS NOT RESPONSIBLE FOR THIS CHECK OUT OR ANY INCURRED EXPENSES.
- CONNECT ALL PLUMBING TRANSITIONS ON U.D.S. MANUFACTURER SUPPLIED HOSES TO F.S.E.C. VERIFIED EQUIPMENT.



EQUIPMENT NOTES:

- 120/208 3 PHASE POWER MUST BE THE WYE STYLE CONFIGURATION (DELTA CONFIGURATION WOULD NOT APPLY).
- MAIN BREAKER INSIDE U.D.S. IS TO HAVE A SHUNT TRIP OPTION.
- ALL WIRING TO BE THHN.

REVISIONS			
REV	DATE	BY	REMARKS
A	5-23-02	DAT	REMOVED EQUIPMENT UNDER 12'-0" VENTILATOR
B	6-26-02	DAT	NO CHANGES THIS SHEET
C	8-7-02	BH	REVISED EQUIPMENT LAYOUT AND RISER HEIGHT PER DRAWINGS RECEIVED ON 8/02/02
D	8-14-02	DRA	NO CHANGES THIS SHEET
E	9-9-02	BH	NO CHANGES THIS SHEET
F	9-24-02	BAH	REVISED PER APPROVED DRAWING.

CADDY AirSystems
 509 SHARPTOWN ROAD
 P.O. BOX 345 BRIDGEPORT NJ 08014
 Tel:(856) 467-4222 Fax:(856) 467-5511

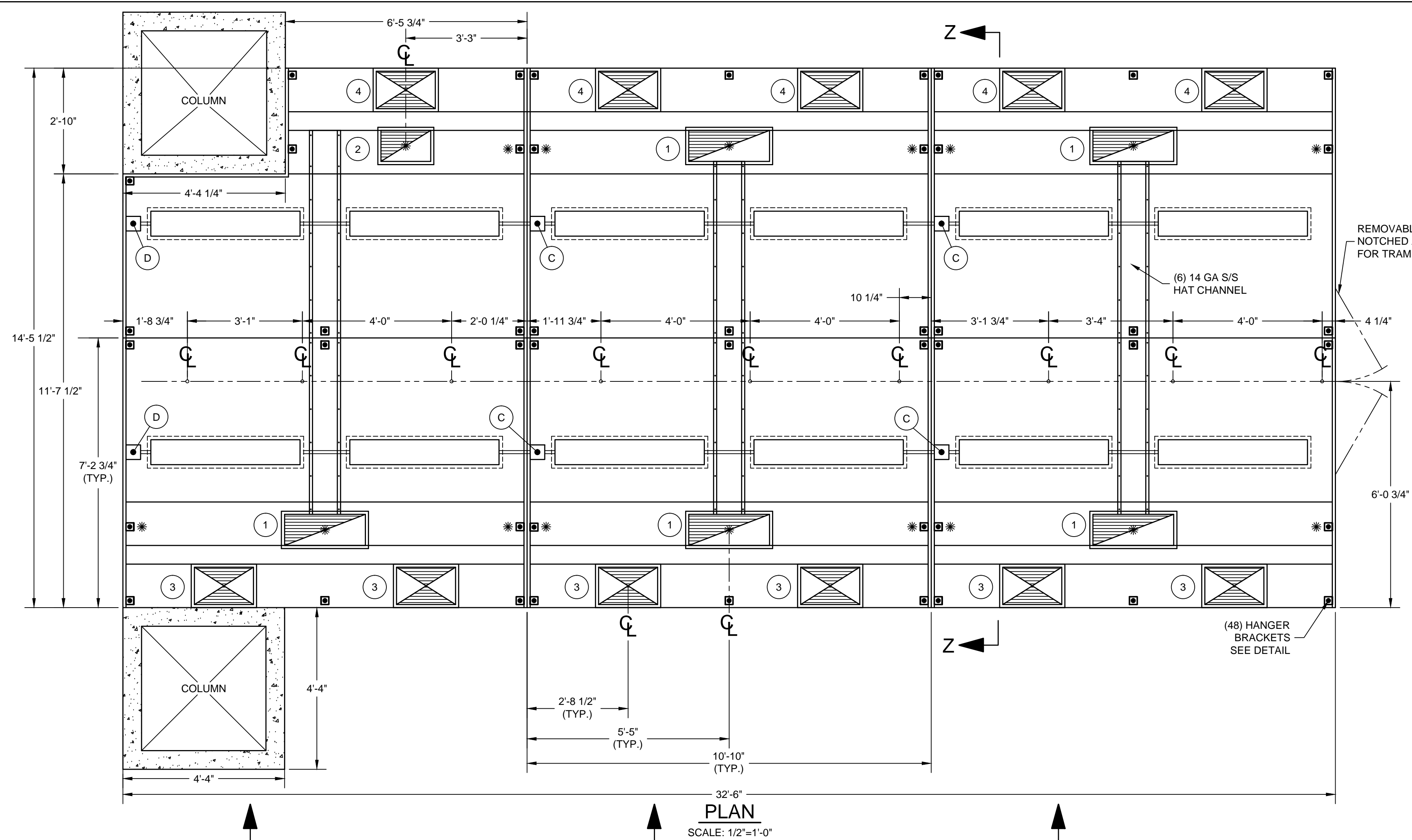
EQUIPMENT SCHEDULE
 UTILITY DISTRIBUTION SYSTEM
 MODEL: CA-ID-EGW-030
 29'-6" LONG
 02/19/03 : " AS BUILT " DRAWING

CADDY NO. 05044 ITEM NO. L-23
 JOB: MEMPHIS CITY SCHOOL
 CENTRAL NUTRITION CENTER
 LOC: MEMPHIS, TN.
 CUST:
 CUST#:

DATE	SCALE
01/10/02	AS NOTED
DR BY DAT	APPD BY

DWG# D-1-05044

SHT 5
OF 12



TOTAL EXHAUST : 18,450 C.F.M.
TOTAL SUPPLY : 14,760 C.F.M.

- 1 10" X 26" EXHAUST DUCTS
3300 C.F.M. EACH @ 1.30" S.P.
- 2 10" X 16" EXHAUST DUCT
1950 C.F.M. @ 1.30" S.P.
- 3 12" X 19" SUPPLY DUCTS
1320 C.F.M. EACH @ 0.20" S.P.
- 4 12" X 19" SUPPLY DUCTS
1368 C.F.M. EACH @ 0.20" S.P.

GENERAL CONTRACT CONDITIONS
ELECTRICAL WORK DONE BY CADDY CORPORATION IS EXECUTED IN COMPLIANCE WITH STANDARDS PUBLISHED BY THE UNDERWRITERS LABORATORIES, INC. INSOFAR AS APPLICABLE, AND THE LATEST EDITION OF THE NATIONAL ELECTRICAL CODE (NEC). CADDY CORPORATION DOES NOT ACCEPT ANY RESPONSIBILITY FOR THE REQUIREMENTS OF ANY REGIONAL AND/OR LOCAL CODES THAT ADD OR DEVIATE FROM THE ACCEPTED STANDARDS OF THE ABOVE AGENCIES. ANY FIELD WORK RELATING TO THE MODIFICATION OF ELECTRIC OR PLUMBING SYSTEMS, TO MEET REGIONAL OR LOCAL CODE REQUIREMENTS IS TO BE DONE BY OTHERS AND WITHOUT BACK CHARGES TO CADDY CORPORATION, UNLESS THESE CONDITIONS WERE PREVIOUSLY BROUGHT TO OUR ATTENTION AND ARE EXPRESSLY INCLUDED IN OUR WRITTEN QUOTATION. ALL WIRING AND PLUMBING AT THE JOB SITE IS THE RESPONSIBILITY OF OTHERS. EQUIPMENT WILL BE CONSTRUCTED IN ACCORDANCE WITH OUR DRAWING(S) WHICH MUST BE APPROVED PRIOR TO FABRICATION. ANY SUBSEQUENT CHANGES REQUIRED MUST BE SUBMITTED TO US IN WRITING AND ACKNOWLEDGED ON OUR STANDARD FORM.

ELECTRICAL NOTES:

1. LIGHT FIXTURES, VAPORPROOF, U.L. LISTED, FURNISHED, INSTALLED AND WIRED TO J-BOX (D) BY CADDY. DISCONNECTED FOR SHIPPING AT J-BOX (C). RECONNECTED ON JOBSITE BY ELECTRICAL CONTRACTOR.
2. LIGHT SWITCH FOR LIGHT FIXTURE WITH 120 VOLTS A.C. SERVICE BY ELECTRICAL CONTRACTOR.

NOTE:
K.E.C. MUST VERIFY THE EXACT DIMENSION OF THE COOKING EQUIPMENT FROM EITHER THE WALL OR FROM THE FRONT OF THE HOOD, SO CADDY MAY PROPERLY LOCATE THE FIRE PROTECTION NOZZLES AT TIME-OF-FABRICATION IN THE FACTORY. IF EQUIPMENT IS NOT LOCATED AS SHOWN AND THE DRAWING IS APPROVED FOR FABRICATION, THEN NOZZLES MUST BE RELOCATED AT THE EXPENSE OF OTHERS.

CONTRACTOR NOTE:
ALLOW SUFFICIENT ACCESS ON TOP OF VENTILATOR TO SERVICE COMPONENTS AND UTILITIES

MAKE-UP AIR NOTE:
AIR TEMPERATURE SHOULD RANGE FROM 60° TO 65° F, BUT MAY BE AS LOW AS 50° F DEPENDING ON AIR VOLUME, DISTRIBUTION, AND INTERNAL HEAT LOAD

VERIFICATION IS REQUIRED FOR LOCATION OF ANTI-SWAY ANGLE WHICH IS TO BE FURNISHED AND INSTALLED BY OTHERS.

VERIFY MOUNTING LOCATION OF CORD REEL FOR HOIST (TO BE ON VENTILATOR OR IN ANOTHER LOCATION.)

TO PREVENT SHIPPING DAMAGE HINGED & NOTCHED ACCESS DOORS TO BE SHIPPED LOOSE AND FURNISHED WITH STN./STL. LIFT-OFF SURFACE MOUNTED HINGES FOR INSTALLATION BY FIELD TRADES

PLEASE VERIFY MAXIMUM KETTLE HEIGHT WITH LIDS IN THE FULLY OPEN POSITION

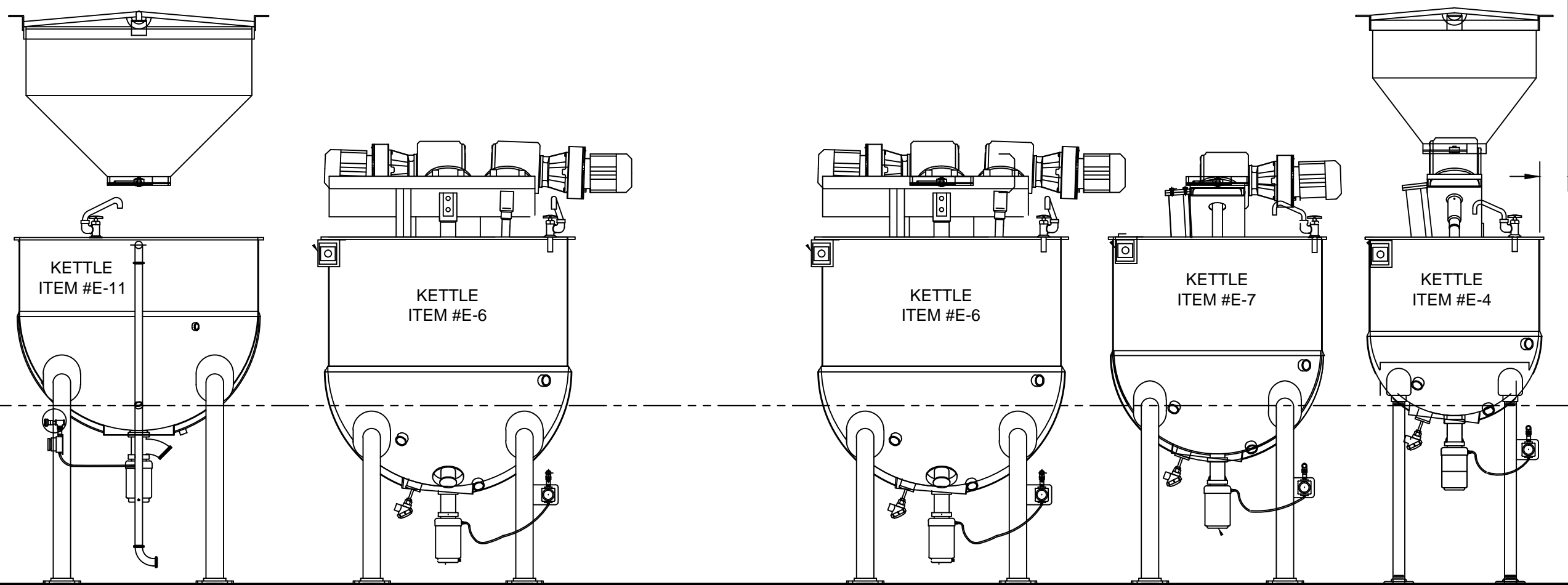
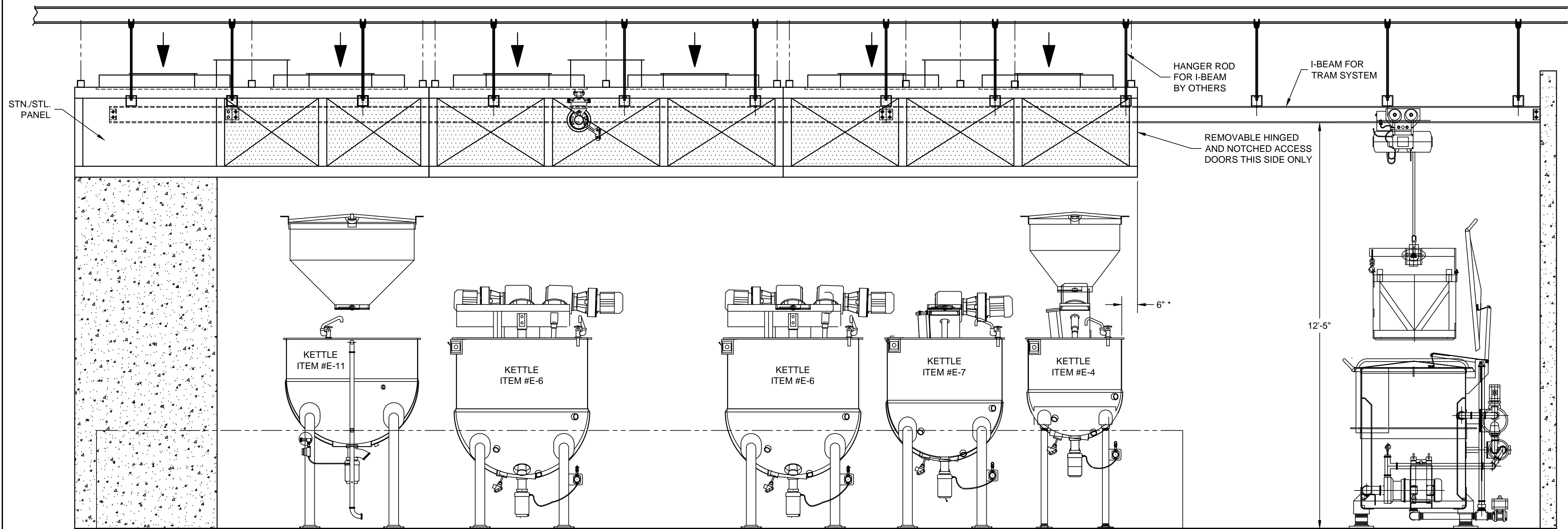
ALL CENTER LINE FOR HOIST TRACK MUST BE VERIFIED. ALL PENETRATION FOR MONO RAIL HANGER RODS TO BE SEALED WITH FIRE RESISTANT PENETRATION FITTINGS.

* - MINIMUM OVERHANG FROM EDGE OF COOKING EQUIPMENT TO END OF HOOD MUST BE 6"

K.E.C. TO VERIFY ALL MAKES AND MODELS OF COOKING EQUIPMENT, REVIEW PLAN FOR PROPER LINE-UP PRIOR TO FABRICATION OF VENTILATORS, AND TO NOTIFY CADDY OF ANY CHANGES.

THE CADDY VENTILATOR TESTING, LISTING AND APPROVAL REFERENCES:

- NATIONAL FIRE PROTECTION ASSOCIATION
In accordance with Recommendation of National Fire Protection Association's NFPA No. 96
"Vapor Removal from Cooking Equipment"
- NATIONAL SANITATION FOUNDATION
Standard #2 - "Food Service Equipment"
- UNDERWRITERS LABORATORIES, INC
Tested under standard U.L. 710 "Exhaust Hoods for Commercial Cooking Equipment". U.L. listed under file number MH8215 and MH12264
- UNIFORM MECHANICAL CODE
Section 507 - Commercial Kitchen Hoods and Kitchen Ventilation Systems
- THE BOCA NATIONAL MECHANICAL CODE
Chapter 5 - Kitchen Exhaust Equipment
- STANDARD MECHANICAL CODE (SBCCI)
Section 504 - Commercial Hoods
- UNIFORM BUILDING CODE (ICBO)



ELEVATION
SCALE: 1/2"=1'-0"

INSTALLATION INFORMATION
ALLOW SUFFICIENT ACCESS TO BRING VENTILATOR INTO KITCHEN AREA
MAXIMUM VENTILATOR DIMENSIONS
10'-10" LONG x 7'-7" WIDE x 46" HIGH
ESTIMATED TOTAL HANGING WEIGHT: 6,615 LBS.

VENTILATOR TO BE SHIPPED IN (6) UNITS.
ALL PLUMBING AND ELECTRICAL DISCONNECTED FOR SHIPMENT. RECONNECTED IN FIELD BY PLUMBING AND ELECTRICAL CONTRACTORS.

ROUGH-IN SCHEDULE

SYM	QTY	DESCRIPTION
D	2	120V, 60HZ, 1PH, 0.48 K.W. CONNECTED LOAD (EACH)

REVISIONS

REV	DATE	BY	REMARKS
A	5-6-02	DAT	REVISED VENTILATOR LAYOUT PER NEW LAYOUT
B	8-7-02	BH	NO CHANGES THIS SHEET
C	8-7-02	BH	REVISED VENTILATOR DESIGN PER NEW EQUIPMENT LAYOUT
D	8-14-02	DRA	REVISED PER FAX AND EMAIL RECEIVED ON 08/12/02
E	9-9-02	BH	INCREASED VENTILATOR HEIGHT
F	9-27-02	SWL	REVISED PER APPROVED DRAWING

CADDY AirSystems
509 SHARPTOWN ROAD
P.O. BOX 345 BRIDGEPORT NJ 08014
Tel:(856) 467-4222 Fax:(856) 467-5511

EQUIPMENT SCHEDULE

SH-C-PA-I-86.75
02/19/03 : " AS BUILT " DRAWING

CADDY NO. 05044 ITEM NO. E-9

JOB: MEMPHIS CITY SCHOOLS
CENTRAL NUTRITION CENTER
LOC: MEMPHIS, TN.
CUST: BARING
CUST#: 21117MAC

DWG# D-1-05044

VERIFICATION IS REQUIRED FOR LOCATION OF ANTI-SWAY ANGLE WHICH IS TO BE FURNISHED AND INSTALLED BY OTHERS.

VERIFY FINISHED CEILING HEIGHT AND IF STN./STL. CLOSURE PANELS ARE REQUIRED.

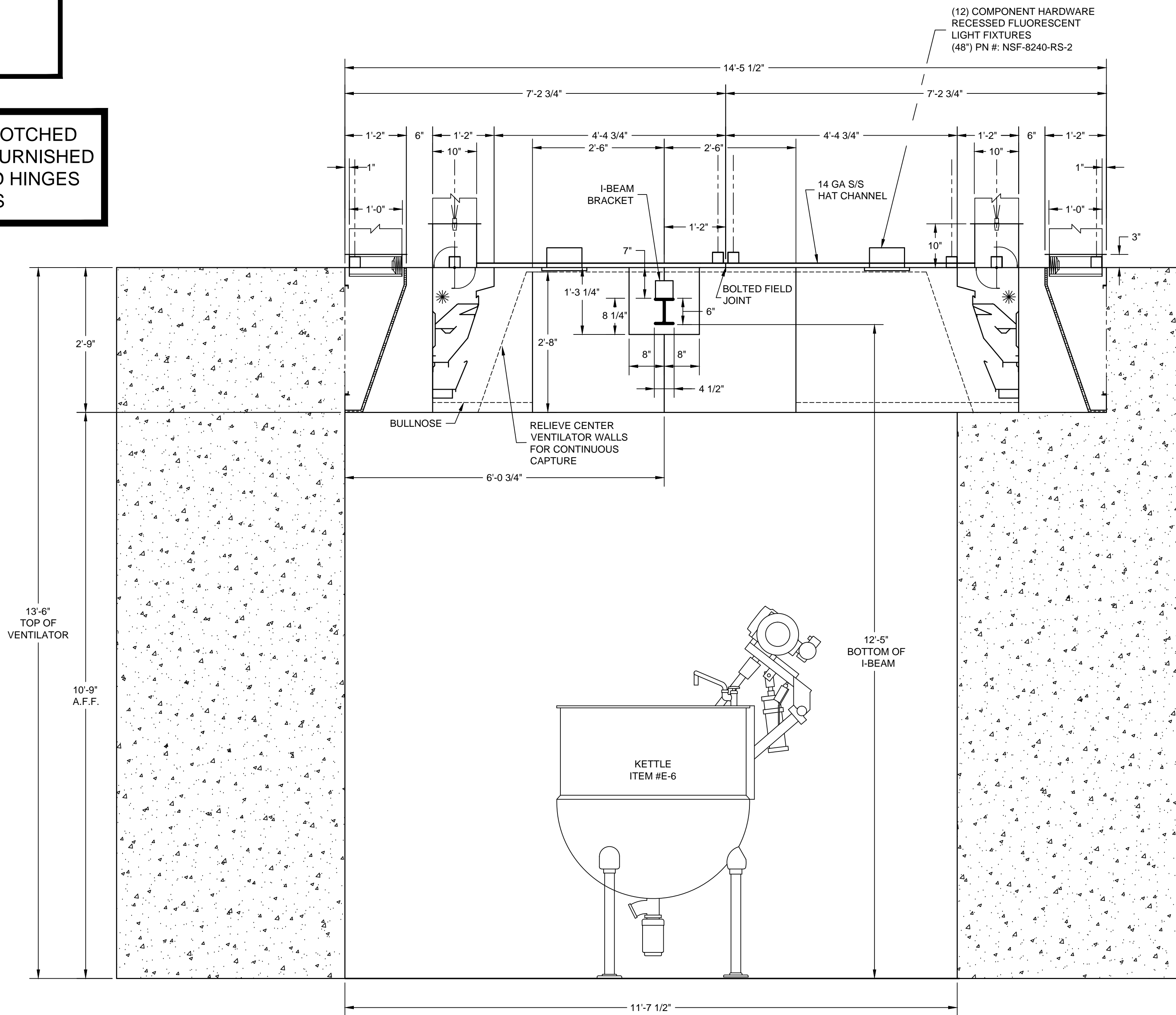
TO PREVENT SHIPPING DAMAGE HINGED & NOTCHED ACCESS DOORS TO BE SHIPPED LOOSE AND FURNISHED WITH STN./STL. LIFT-OFF SURFACE MOUNTED HINGES FOR INSTALLATION BY FIELD TRADES

ELECTRICAL NOTES:

1. LIGHT FIXTURES, VAPORPROOF, U.L. LISTED, FURNISHED, INSTALLED AND WIRED TO J-BOX (D) BY CADDY. DISCONNECTED FOR SHIPPING AT J-BOX (C). RECONNECTED ON JOBSITE BY ELECTRICAL CONTRACTOR.
2. LIGHT SWITCH FOR LIGHT FIXTURE WITH 120 VOLTS A.C. SERVICE BY ELECTRICAL CONTRACTOR.

GENERAL NOTES

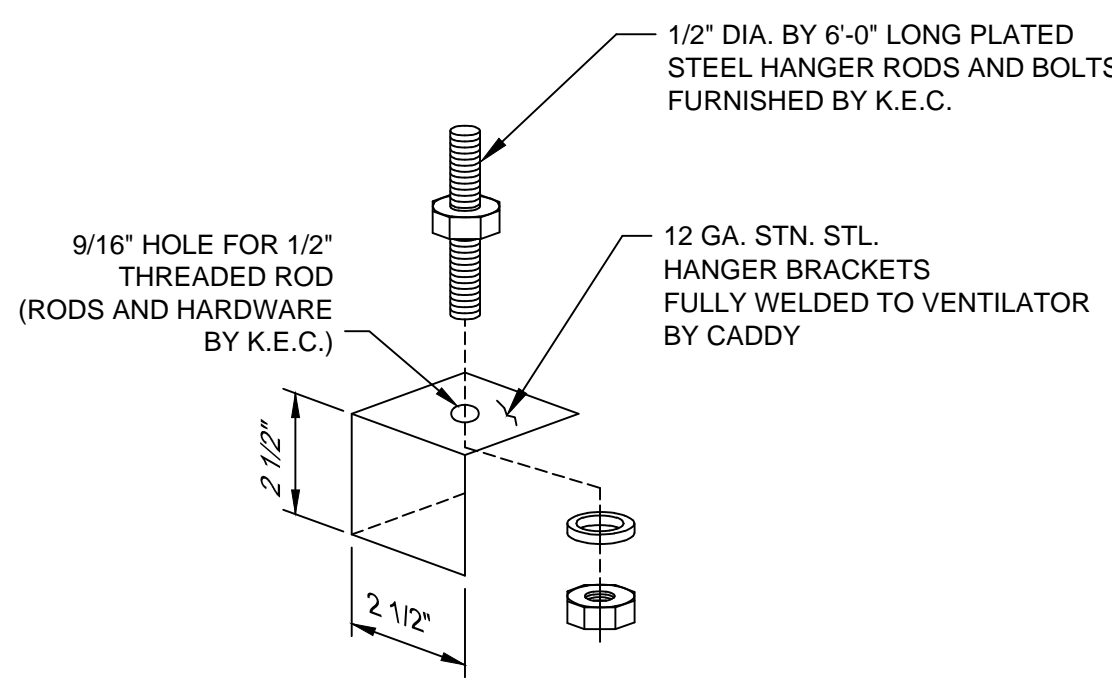
- EXHAUST AIR REQUIREMENTS:
1. EXHAUST C.F.M. BASED ON 305 C.F.M. PER LINEAR FOOT.
 2. EXHAUST STATIC PRESSURE IS 1.30" W.G. AT DUCT TAKE-OFF COLLAR. TOTAL DUCT STATIC MUST BE ADDED. STATIC BASED ON OPERATION AT MEAN SEA LEVEL.
 3. DUCT SIZE BASED ON 1800 F.P.M..
- EXHAUST FAN REQUIREMENTS:
1. TYPE - INDUCED DRAFT, SQUIRREL CAGE, BACKWARD INCLINED BLADES, EXHAUST FAN DISCHARGE SHOULD BE VERTICAL, AWAY FROM AIR INTAKES. FAN FURNISHED BY OTHERS.
 2. EXHAUST FAN MUST BE FURNISHED WITH A MAGNETIC STARTER WITH 120 VOLT HOLDING COIL. STARTER FURNISHED BY OTHERS.
- MAKE-UP AIR REQUIREMENTS:
1. AIR EXHAUSTED FROM KITCHEN MUST BE REPLACED - WITH DISTRIBUTION CONTROLLED TO PROVIDE FOR TOTAL KITCHEN VENTILATION AND TO ESTABLISH NECESSARY AIR PATTERNS FOR PROPER PERFORMANCE OF THE VENTILATORS. AIR DISTRIBUTION SYSTEMS SHALL BE IN ACCORDANCE WITH ALL GOVERNING CODES.
 1. MAKE-UP AIR MUST BE TEMPERED - HEATED OR COOLED - CONSISTENT WITH THE STYLE OF HOOD, HEAT LOAD, CLIMATIC CONDITIONS AND APPLICABLE CODES.
- INSTALLATION:
1. VENTILATORS TO BE INSTALLED IN ACCORDANCE WITH ALL CODES.
- CONTRACTORS MUST REVIEW APPLICABLE CODES WITH CODE AUTHORITIES BEFORE APPROVING DRAWINGS FOR FABRICATION. SPECIAL ATTENTION MUST BE GIVEN TO CODE REGULATIONS RELATIVE TO CLEARANCES FROM SURROUNDING COMBUSTIBLE CONSTRUCTION (WALL, CEILINGS, ETC.).
1. ALL DUCTWORK BEYOND VENTILATOR DUCT TAKE-OFF COLLAR TO BE PROVIDED AND INSTALLED BY OTHERS, IN ACCORDANCE WITH JURISDICTIONAL CODES. DUCTS MUST BE MECHANICALLY STRONG, GREASE AND WATER TIGHT.
 2. MOUNTING RODS FURNISHED AND INSTALLED BY OTHERS.
- CONSTRUCTION:
1. VENTILATORS TO BE MANUFACTURED IN STRICT ACCORDANCE WITH CADDY SPECIFICATIONS.
 2. VENTILATORS CONSTRUCTED OF 18 GA. STAINLESS STEEL, TYPE 304 NO. 4 FINISH.
- FIRE PROTECTION:
1. SURFACE FIRE PROTECTION PROVIDED AND INSTALLED BY CADDY (ANSUL R-102).
 2. CAUTION: SURFACE FIRE PROTECTION SYSTEM INSTALLATION MUST BE COORDINATED WITH CADDY TO PREVENT SYSTEMS INTERFERENCE WITH VENTILATOR'S OPERATION/PERFORMANCE. IMPROPER INSTALLATION MAY VOID U.L. LISTINGS OF THE EQUIPMENT.
 3. IMPORTANT NOTE: NFPA 96 REQUIRES THAT ALL GAS AND ELECTRIC COOKING EQUIPMENT THAT IS PROTECTED BY A SURFACE FIRE PROTECTION SYSTEM MUST AUTOMATICALLY SHUT OFF UPON ACTIVATION OF THE SYSTEM.
- ELECTRICAL REQUIREMENTS:
1. LIGHT FIXTURE BULBS PROVIDED AND INSTALLED BY OTHERS.



NOTE:
K.E.C. MUST VERIFY THE EXACT DIMENSION OF THE COOKING EQUIPMENT FROM EITHER THE WALL OR FROM THE FRONT OF THE HOOD, SO CADDY MAY PROPERLY LOCATE THE FIRE PROTECTION NOZZLES AT TIME-OF-FABRICATION IN THE FACTORY. IF EQUIPMENT IS NOT LOCATED AS SHOWN AND THE DRAWING IS APPROVED FOR FABRICATION, THEN NOZZLES MUST BE RELOCATED AT THE EXPENSE OF OTHERS.

CONTRACTOR NOTE:
ALLOW SUFFICIENT ACCESS ON TOP OF VENTILATOR TO SERVICE COMPONENTS AND UTILITIES

MAKE-UP AIR NOTE:
AIR TEMPERATURE SHOULD RANGE FROM 60° TO 65° F, BUT MAY BE AS LOW AS 50° F DEPENDING ON AIR VOLUME, DISTRIBUTION, AND INTERNAL HEAT LOAD



HANGER BRACKET DETAIL
SCALE: 1/4"=1"

GENERAL CONTRACT CONDITIONS
ELECTRICAL WORK DONE BY CADDY CORPORATION IS EXECUTED IN COMPLIANCE WITH STANDARDS PUBLISHED BY THE UNDERWRITER'S LABORATORIES, INC. INSOFAR AS APPLICABLE, AND THE LATEST EDITION OF THE NATIONAL ELECTRICAL CODE (NEC). CADDY CORPORATION DOES NOT ACCEPT ANY RESPONSIBILITY FOR THE REQUIREMENTS OF ANY REGIONAL AND/OR LOCAL CODES THAT ADD OR DEVIATED FROM THE ACCEPTED STANDARDS OF THE ABOVE AGENCIES. ANY FIELD WORK RELATING TO THE MODIFICATION OF ELECTRIC OR PLUMBING SYSTEMS, TO MEET REGIONAL OR LOCAL CODE REQUIREMENTS IS TO BE DONE BY OTHERS AND WITHOUT BACK CHARGES TO CADDY CORPORATION, UNLESS THESE CONDITIONS WERE PREVIOUSLY BROUGHT TO OUR ATTENTION AND ARE EXPRESSLY INCLUDED IN OUR WRITTEN QUOTATION.
ALL WIRING AND PLUMBING AT THE JOB SITE IS THE RESPONSIBILITY OF OTHERS. EQUIPMENT WILL BE CONSTRUCTED IN ACCORDANCE WITH OUR DRAWING(S) WHICH MUST BE APPROVED PRIOR TO FABRICATION. ANY SUBSEQUENT CHANGES REQUIRED MUST BE SUBMITTED TO US IN WRITING AND ACKNOWLEDGED ON OUR STANDARD FORM.

K.E.C. TO VERIFY ALL MAKES AND MODELS OF COOKING EQUIPMENT, REVIEW PLAN FOR PROPER LINE-UP PRIOR TO FABRICATION OF VENTILATORS, AND TO NOTIFY CADDY OF ANY CHANGES.

PLEASE VERIFY MAXIMUM KETTLE HEIGHT WITH LIDS IN THE FULLY OPEN POSITION

INSTALLATION INFORMATION

ALLOW SUFFICIENT ACCESS TO BRING VENTILATOR INTO KITCHEN AREA
MAXIMUM VENTILATOR DIMENSIONS 10'-10" LONG x 7'-2 3/4" WIDE x 46" HIGH
ESTIMATED TOTAL HANGING WEIGHT: 6,615 LBS.

VENTILATOR TO BE SHIPPED IN (6) UNITS.
ALL PLUMBING AND ELECTRICAL DISCONNECTED FOR SHIPMENT. RECONNECTED IN FIELD BY PLUMBING AND ELECTRICAL CONTRACTORS.

ROUGH-IN SCHEDULE

SYM	QTY	DESCRIPTION
D	2	120V, 60HZ, 1PH, 0.48 K.W. CONNECTED LOAD (EACH)

REVISIONS

REV	DATE	BY	REMARKS
A	5-9-02	DAT	REVISED VENTILATOR LAYOUT PER NEW LAYOUT
B	8-7-02	BH	NO CHANGES THIS SHEET
C	8-7-02	BH	REVISED VENTILATOR DESIGN PER NEW EQUIPMENT LAYOUT
D	8-14-02	DRA	REVISED PER FAX AND EMAIL RECEIVED ON 08/12/02
E	9-10-02	SWL	INCREASED VENTILATOR HEIGHT
F	9-27-02	SWL	REVISED PER APPROVED DRAWING

CADDY AirSystems
509 SHARPTOWN ROAD
P.O. BOX 345 BRIDGEPORT NJ 08014
Tel:(856) 467-4222 Fax:(856) 467-5511

EQUIPMENT SCHEDULE

SH-C-PA-I-86.75
02/19/03 : " AS BUILT " DRAWING

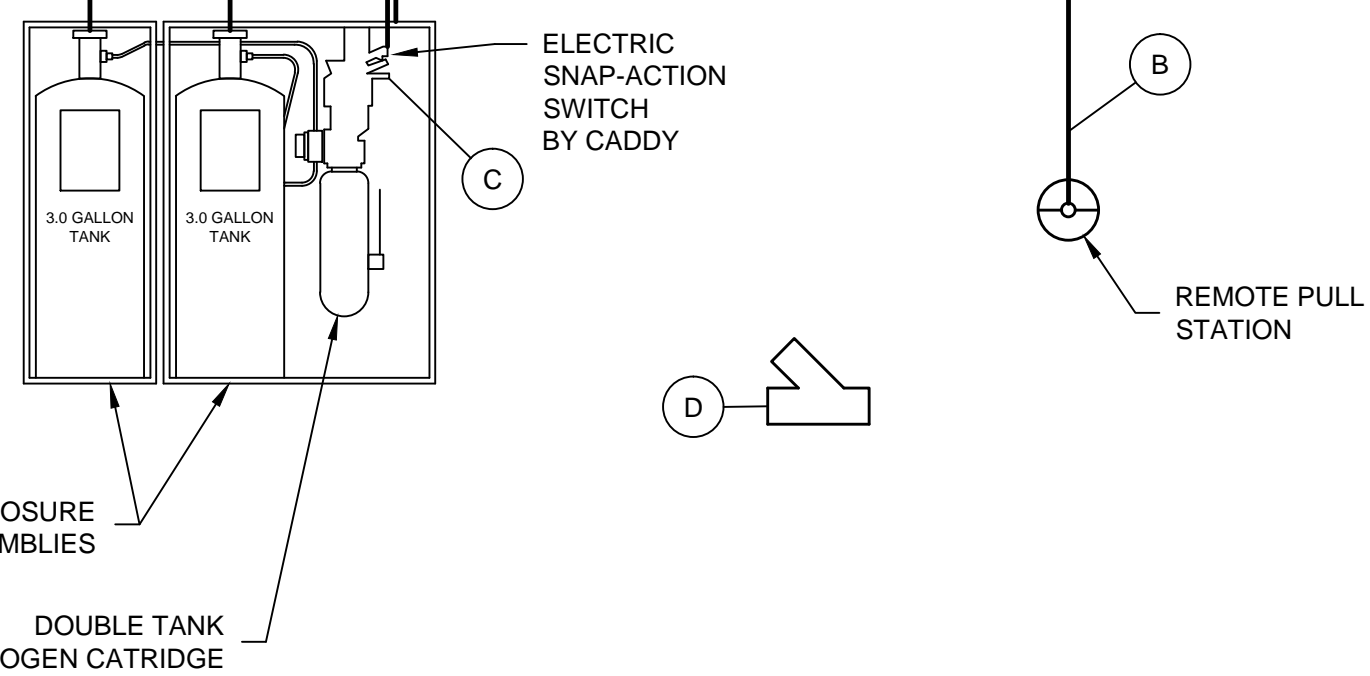
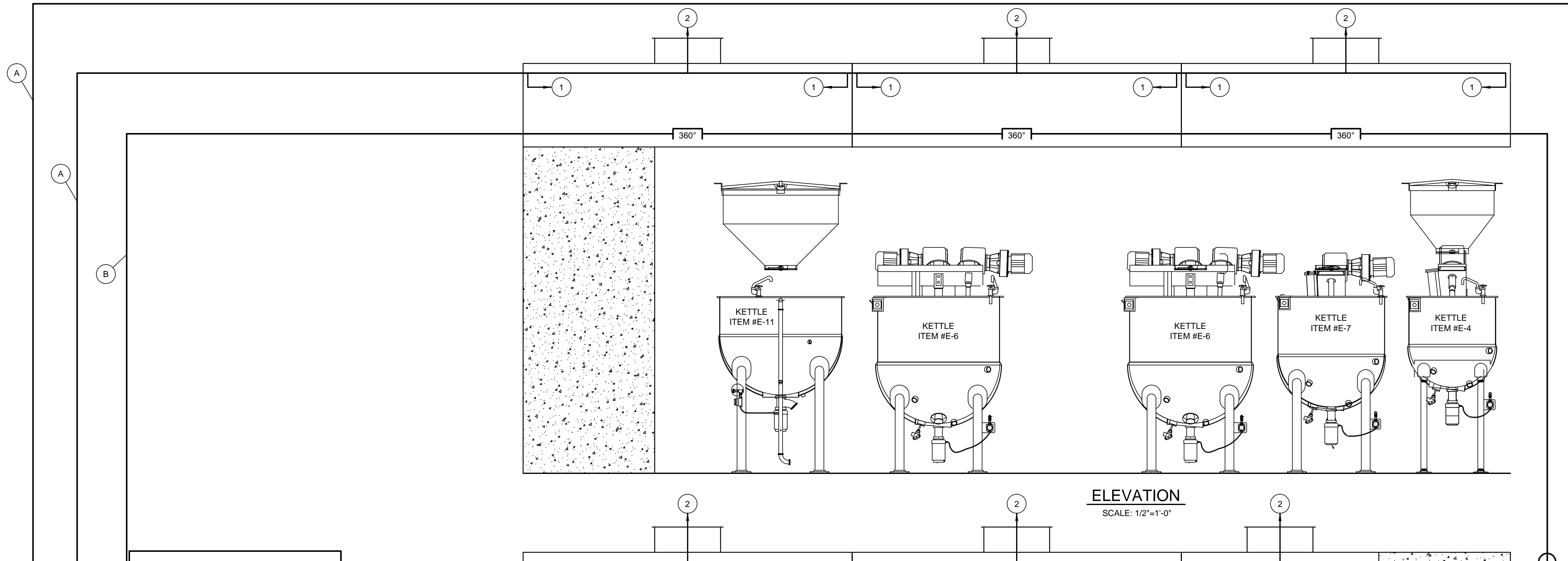
CADDY NO. 05044 ITEM NO. E-9

JOB: MEMPHIS CITY SCHOOLS
CENTRAL NUTRITION CENTER
LOC: MEMPHIS, TN.

DATE 01/29/02 SCALE AS NOTED
DR BY DRA APP'D BY

DWG# D-1-05044

SHT 7 OF 12



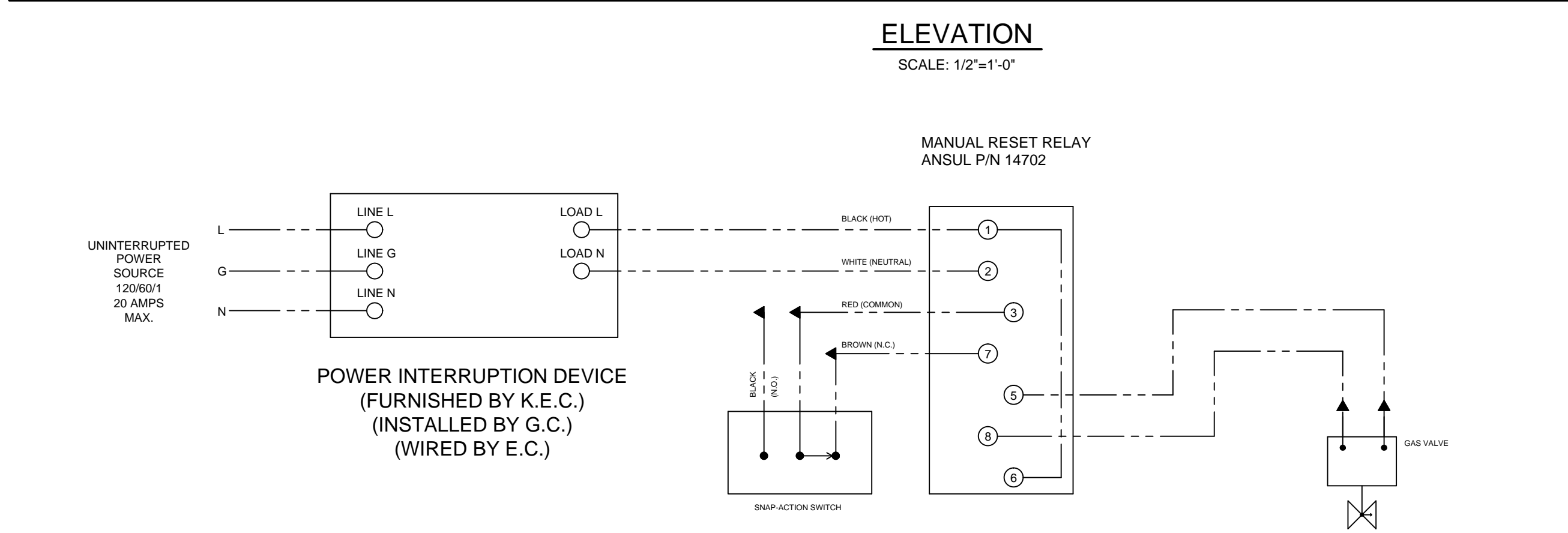
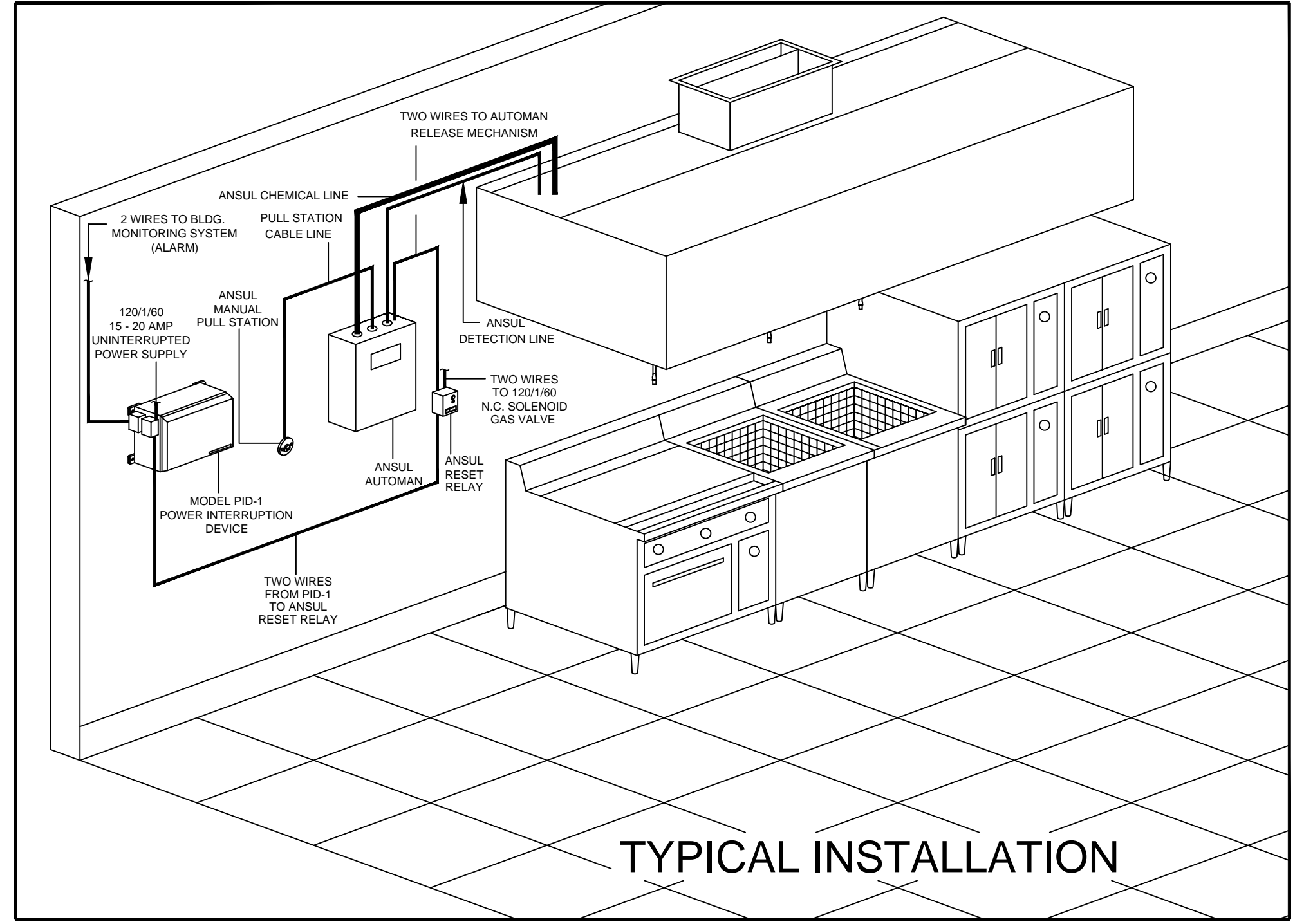
ANSUL ROUGH-IN

SYM	DESCRIPTION
A	3/8" SCH 40 BLACK IRON PIPE
B	1/2" EMT CONDUIT
C	MICRO SWITCH FOR ELECTRIC SHUT-DOWN AND/OR ALARM BY CADDY WIRING BY OTHERS.
D	120/1/60 SOLENOID TYPE GAS VALVES FURNISHED AND INSTALLED BY P.C., WIRED BY E.C.

ANSUL NOZZLE DATA

SYM	QTY	DESCRIPTION
1	12	ANSUL #1N
2	6	ANSUL #2W

ANSUL R-102 3/3 SYSTEM
FOR VENTILATOR ITEM # E-9



REVISIONS

REV	DATE	BY	REMARKS
A	5-15-02	DAT	REVISED PER NEW LAYOUT
B	8-7-02	BH	NO CHANGES THIS SHEET
C	8-7-02	BH	REVISED PER NEW LAYOUT
D	8-14-02	DRA	REVISED PER FAX AND EMAIL RECEIVED ON 8/28/02
E	9-9-02	BH	INCREASED VENTILATOR HEIGHT
F	10-1-02	SWL	NO CHANGES TO THIS SHEET

CADDY AirSystems
509 SHARPTOWN ROAD
P.O. BOX 345 BRIDGEPORT NJ 08014
Tel:(856) 467-4222 Fax:(856) 467-5511

EQUIPMENT SCHEDULE

ANSUL R-102 3/3
02/19/03 : " AS BUILT " DRAWING

CADDY NO. 05044 ITEM NO. E-9

JOB: MEMPHIS CITY SCHOOLS
CENTRAL NUTRITION CENTER
LOC: MEMPHIS, TN.
CUST:
CUST#:

DATE	01/29/02	SCALE	AS NOTED
DR BY	DRA	APP'D BY	

DWG# D-1-05044 SHT 8 OF 12

CONNECTION LEGEND			
E=ELECTRICAL	G=GAS	SS=SUPERSWIVEL	CF=CIMFAST
S=STEAM SUPPLY	R=STEAM RETURN	DS=DOUBLE SUPERSWIVEL	GF=GROUND FAULT
H=HOT WATER	C=COLD WATER	QD=QUICK DISCONNECT	HC=HARD CONN.

SCHEDULE OF UTILITY CONNECTIONS

CONN. NO.	ITEM NO.	EQUIPMENT DESCRIPTION	ELECTRICAL						GAS		STEAM			COMPRESSED AIR @ 100 P.S.I.		CONNECTIONS			INLET SUPPLY	CONNS RESTRAINT DEVICE	
			KW	AMPS	VOLTS	Ø	BREAKER AMPS	NEMA NO.	OUTLET NO.	BTU'S PER HOUR	IPS	TRANSITION SIZE	LBS PER HOUR AT 40 PSI	SUPPLY IPS	RETURN IPS	TRANSITION SIZE	1/4"	3/8"			CONNECTION TYPE
1E	C-3	VACUUM CLIPPER	1.0	7.8	120	1	15	5-15R	5261									CORD & PLUG	VERIFY		
2E	-	FUTURE EQUIPMENT 120/60/1	2.0	15	120	1	20	5-20R	5361									CORD & PLUG	VERIFY		
3E	-	FUTURE EQUIPMENT 208/60/1	3.0	15	208	1	20	6-20R	5461									CORD & PLUG	VERIFY		
4E	-	FUTURE EQUIPMENT 120/60/1	2.0	15	120	1	20	5-20R	5361									CORD & PLUG	VERIFY		
5E	-	FUTURE EQUIPMENT 208/60/1	3.0	15	208	1	20	6-20R	5461									CORD & PLUG	VERIFY		
6E	-	FUTURE EQUIPMENT 120/60/1	2.0	15	120	1	20	5-20R	5361									CORD & PLUG	VERIFY		
7E	-	FUTURE EQUIPMENT 208/60/1	3.0	15	208	1	20	6-20R	5461									CORD & PLUG	VERIFY		
8E	-	FUTURE EQUIPMENT 120/60/1	2.0	15	120	1	20	5-20R	5361									CORD & PLUG	VERIFY		
9E	-	FUTURE EQUIPMENT 208/60/1	3.0	15	208	1	20	6-20R	5461									CORD & PLUG	VERIFY		

PLEASE VERIFY REQUIRED COMPRESSED AIR & ELECTRICAL CONNECTION LENGTHS

NOTE: MAIN CIRCUIT BREAKER FURNISHED AND INSTALLED BY E.C.

NOTE: PLEASE SPECIFY MAKE, MODEL NUMBER, ELECTRICAL AND PLUMBING CHARACTERISTICS OF ALL ITEMS PLUGGING INTO RACEWAY.

GENERAL CONTRACT CONDITIONS
 ELECTRICAL WORK DONE BY CADDY CORPORATION IS EXECUTED IN COMPLIANCE WITH STANDARDS PUBLISHED BY THE UNDERWRITER'S LABORATORIES, INC. INSOFAR AS APPLICABLE, AND THE LATEST EDITION OF THE NATIONAL ELECTRICAL CODE (NEC). CADDY CORPORATION DOES NOT ACCEPT ANY RESPONSIBILITY FOR THE REQUIREMENTS OF ANY REGIONAL AND/OR LOCAL CODES THAT ADD OR DEVIATED FROM THE ACCEPTED STANDARDS OF THE ABOVE AGENCIES. ANY FIELD WORK RELATING TO THE MODIFICATION OF ELECTRIC OR PLUMBING SYSTEMS, TO MEET REGIONAL OR LOCAL CODE REQUIREMENTS IS TO BE DONE BY OTHERS AND WITHOUT BACK CHARGES TO CADDY CORPORATION, UNLESS THESE CONDITIONS WERE PREVIOUSLY BROUGHT TO OUR ATTENTION AND ARE EXPRESSLY INCLUDED IN OUR WRITTEN QUOTATION.
 ALL WIRING AND PLUMBING AT THE JOB SITE IS THE RESPONSIBILITY OF OTHERS. EQUIPMENT WILL BE CONSTRUCTED IN ACCORDANCE WITH OUR DRAWING(S) WHICH MUST BE APPROVED PRIOR TO FABRICATION. ANY SUBSEQUENT CHANGES REQUIRED MUST BE SUBMITTED TO US IN WRITING AND ACKNOWLEDGED ON OUR STANDARD FORM.

ALL UTILITIES DOWN FROM ABOVE [] VERIFY

ELECTRICAL CONTRACT REQUIREMENTS
 1. INSPECT FOR LOOSE CONNECTIONS (CAUSED BY SHIPPING) AND TIGHTEN AS REQUIRED.
 2. PROVIDE AND INSTALL MAIN SERVICE FEEDER AND OVERCURRENT PROTECTION DEVICES RATED AT A CONTINUOUS OPERATING LOAD FOR EACH ELECTRICAL ROUGHING. SIZES INDICATED HAVE BEEN CALCULATED AT 125% OF THEIR CONTINUOUS LOAD. THIS ALLOWS FOR DERATING PER N.E.C.
 3. INSTALL ELECTRICAL SERVICE FROM STUB-IN LOCATION (SEE SHEET 1) TO CADDY TERMINALS. PROVIDE CONDUIT AND WIRING.
 4. PROVIDE AND INSTALL 120V 1PH FIRE-FUEL SHUT-OFF CIRCUIT IN 1/2" CONDUIT FROM FIRE EXTINGUISHING SYSTEM IN BUILDING TO RED TERMINAL BLOCK IN CADDY UTILITY DISTRIBUTION SYSTEM. CIRCUIT POWER AND BREAKER SUPPLIED BY OTHERS EXTERNAL OF RACEWAY.

PLUMBING CONTRACT REQUIREMENTS
 1. PROVIDE AND INSTALL SERVICE SUPPLY PIPES FROM STUB-IN LOCATION TO PIPES IN CADDY ENERGY DISTRIBUTION SYSTEM FOR EACH PLUMBING ROUGHING.
 2. INSTALL CADDY HOSE ASSEMBLIES FROM CADDY ENERGY DISTRIBUTION SYSTEM TO APPROPRIATE PIECES OF EQUIPMENT PER THIS SUBMISSION DRAWING. PROVIDE AND INSTALL NECESSARY PLUMBING FITTINGS TO PRESENT A NEAT APPEARANCE AND TO INSURE THAT CADDY HOSE ASSEMBLIES DO NOT TOUCH THE FLOOR.
 3. TEST INTERNAL PIPING SYSTEM FOR LEAKS (CAUSED BY SHIPPING) AND TIGHTEN AS REQUIRED.
 4. PROVIDE AND INSTALL PRESSURE REGULATORS FOR APPROPRIATE EQUIPMENT, IF NECESSARY.

INSTALLATION NOTES:

GENERAL CONDITIONS:

- ALL U.D.S. ELECTRIC AND PLUMBING WORK COMPLIES WITH THE FOLLOWING CODES: UNDERWRITERS LABORATORY STANDARDS, NATIONAL ELECTRICAL CODE, NATIONAL FIRE PROTECTION ASSOCIATION (NFPA), NO. 54, AND NO. 96, AMERICAN GAS ASSOCIATION, AND OCCUPATIONAL SAFETY AND HEALTH ADMINISTRATION.
- ANY VARIANCES WITH CODES LISTED ABOVE MUST BE MADE KNOWN TO U.D.S. MANUFACTURER PRIOR TO FABRICATION.
- SIZE OF BUS-BARS ON TOTAL CONNECTED LOAD AS SHOWN IN SCHEDULE. U.D.S. MANUFACTURER MUST BE NOTIFIED, PRIOR TO FABRICATION, IF ADDITIONAL LOADS ARE REQUIRED; IT WILL BE THE OPTION OF THE U.D.S. MANUFACTURER TO ACCEPT OR REJECT THE CHANGES.
- U.D.S. MANUFACTURER WILL VOID ALL GUARANTEES, AND WILL NOT BE HELD RESPONSIBLE FOR CONTINUED SAFE ELECTRICAL OPERATION, IF FOOD SERVICE EQUIP. CONTRACTOR ADDS ELECTRICAL ASSEMBLIES EXCEEDING BUS-BAR CAPACITY, AFTER UTILITY DISTRIBUTION SYSTEM HAS LEFT THE FACTORY.
- UTILITY DISTRIBUTION MANUFACTURER IS ONLY RESPONSIBLE FOR WIRING AND PLUMBING FURNISHED AS PART OF THE UTILITY DISTRIBUTION SYSTEM, ANY ADDITIONAL WIRING AND PLUMBING AT THE INSTALLATION SITE IS THE RESPONSIBILITY OF THE FOOD SERVICE EQUIP. CONTRACTOR.
- THE UTILITY DISTRIBUTION SYSTEMS EXTERNAL ENCLOSURE SHALL BE FABRICATED FROM NO. 16 GAUGE, NO.304 STAINLESS STEEL HAVING A NO. 4 FINISH UNLESS OTHERWISE SPECIFIED.
- GROUND FAULT INTERRUPTION FOR PERSONNEL PROTECTION TO BE PROVIDED FOR SINGLE AND TWO POLE BREAKERS 120/208-1 PHASE UP TO 30 AMPS. BY U.D.S. MANUFACTURER.
- PLUMBING TRANSITIONS FROM U.D.S. MANUFACTURER SUPPLIED GAS HOSES TO F.S.E.C. VERIFIED EQUIPMENT SHALL BY INSTALLED ON HOSES AT TIME OF FABRICATION.

FOOD SERVICE EQUIP. CONTRACTOR:

- VERIFY MAKE MODEL AND UTILITY REQUIREMENTS FOR ALL EQUIPMENT LISTED ON SCHEDULE, ALSO SUBMIT CUT SHEETS.
- INDICATE FIELD JOINT LOCATION(S), IF REQUIRED, TO ACCOMMODATE FOR BUILDING ENTRANCE, AND INSTALLATION AREA.
- VERIFY ALL ROUGH-IN REQUIREMENTS OF UTILITY DISTRIBUTION SYSTEM.
- INDICATE ELECTRICAL REQUIREMENTS FOR VENTILATOR EXHAUST AND SUPPLY BLOWER(S).
- ALL U.D.S. MANUFACTURERS DRAWINGS MUST BE SUBMITTED TO LOCAL ELECTRICAL AND PLUMBING AGENCIES FOR APPROVAL PRIOR TO FABRICATION.
- THE DIMENSIONS SHOWN, UNLESS CORRECTED, SHALL BE DEEMED CORRECT UPON RECEIPT OF APPROVAL DRAWING(S).
- ASSEMBLE AND SET UTILITY DISTRIBUTION SYSTEM.
- REMOVE AND REPLACE ALL ACCESS PANELS AND ENCLOSURES SO FIELD SPLICES AND CONNECTIONS CAN BE MADE BY OTHER TRADES.
- CONNECT GAS OPERATED FOOD SERVICE EQUIPMENT WITH EQUIPMENT RETRAINING DEVICES AS PROVIDED WITH THE UTILITY DISTRIBUTION SYSTEM AND ADJUST HOSE LENGTH SO RETAINERS OPERATE EFFECTIVELY.

ELECTRICAL CONTRACTOR:

- INSTALL ELECTRICAL SERVICE TO U.D.S. TERMINAL BLOCKS OR CONNECTING LUGS AS INDICATED ON OUR DRAWINGS.
- CONNECT ALL ELECTRICAL FIELD JOINTS (WHICH INCLUDE RECONNECTING QUICK DISCONNECT SNAP PLUG-IN CONNECTORS FOR CONTROL WIRING AND BOLT IN BUS-BAR SPLICES SUPPLIED WITH THE U.D.S. WHEN APPLICABLE).
- CONNECT FROM FIRE EXTINGUISHING SYSTEMS MICRO-SWITCH OR RELAY TO U.D.S. TERMINAL STRIP.
- RECONNECT MAIN FEED WIRE SEALTIGHT AND ENCLOSED WIRES FROM MAIN CIRCUIT BREAKER TO RACEWAY BUS-BAR FOLLOWING WIRING COLOR CODE.
- CONNECT ALL ELECTRICAL ASSEMBLIES TO FOOD SERVICE EQUIPMENT JUNCTION BOXES, AND TO UTILITY DISTRIBUTION SYSTEM.
- INSPECT FOR, AND TIGHTEN ANY LOOSE CONNECTIONS CAUSED BY SHIPPING.
- CONNECT LOAD SIDE OF OPTIONAL MAGNETIC STARTER(S) IN VERTICAL CHASE TO EXHAUST AND SUPPLY FAN MOTOR(S).
- CONNECT VENTILATOR LIGHT SWITCH(ES) IN VERTICAL CHASE TO JUNCTION BOX(ES) ON VENTILATOR.
- PROVIDE FIELD SERVICE ENTRANCE KNOCKOUTS AS REQUIRED.
- PROVIDE PROPER SERVICE FEEDS AND NECESSARY OVER CURRENT PROTECTION DEVICES IN ACCORDANCE WITH APPLICABLE CODES.
- ALL CORDS WITH PLUGS ARE LIMITED BY CODES IN MOST AREAS TO 6'-0" MAXIMUM IN LENGTH. WHERE THIS IS EXCEEDED THE ELECTRICIAN MUST EXTEND THE FEEDS TO ACCOMMODATE THIS CONDITION.

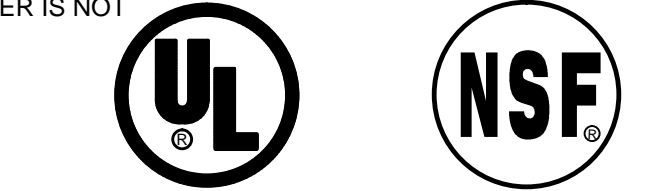
PLUMBING CONTRACTOR:

- INSTALL U.D.S. FLEXIBLE DRAIN LINE(S) FROM VENTILATOR TO FLOOR FUNNEL TYPE DRAIN(S).
- CONNECT ALL INCOMING SERVICE PIPING TO VERTICAL CHASE AS SHOWN ON U.D.S. MANUFACTURERS DRAWINGS.
- CONNECT ALL PLUMBING FIELD JOINTS IN UTILITY DISTRIBUTION SYSTEM.
- CONNECT ALL FLEXIBLE HOSE ASSEMBLIES TO FOOD SERVICE EQUIPMENT, AND TO UTILITY DISTRIBUTION SYSTEM.
- INSPECT FOR, AND TIGHTEN ANY LOOSE PLUMBING CONNECTIONS CAUSED BY SHIPPING.
- PROVIDE ALL NECESSARY FITTINGS AND REDUCERS REQUIRED TO OPERATE EQUIPMENT SERVICED BY UTILITY DISTRIBUTION SYSTEM.
- ALL HOSES ARE LIMITED BY CODE IN MOST AREAS TO 6'-0" MAXIMUM LENGTH. WHERE THIS IS EXCEEDED THE PLUMBER MUST EXTEND THE FEEDS TO ACCOMMODATE THIS CONDITION.
- PLUMBING MATERIAL REQUIRED TO CONNECT FROM THE COOKING EQUIPMENT TO THE U.D.S. HOSES SHALL BE FURNISHED AND INSTALLED BY THE PLUMBING CONTRACTOR. THE U.D.S. MANUFACTURER IS NOT RESPONSIBLE FOR THIS EXPENSE.
- PRESSURE CHECK ALL PLUMBING LINES AFTER ALL OF THE U.D.S. FIELD JOINTS HAVE BEEN MADE UP. THE U.D.S. MANUFACTURER IS NOT RESPONSIBLE FOR THIS CHECK OUT OR ANY INCURRED EXPENSES.
- CONNECT ALL PLUMBING TRANSITIONS ON U.D.S. MANUFACTURER SUPPLIED HOSES TO F.S.E.C. VERIFIED EQUIPMENT.

EQUIPMENT NOTES:

- 120/208 3 PHASE POWER MUST BE THE WYE STYLE CONFIGURATION (DELTA CONFIGURATION WOULD NOT APPLY).
- MAIN BREAKER INSIDE U.D.S. IS TO HAVE A SHUNT TRIP OPTION.
- ALL WIRING TO BE THHN.

REVISIONS			
REV	DATE	BY	REMARKS
A	5-9-02	DAT	NO CHANGES THIS SHEET
B	6-26-02	DAT	NO CHANGES THIS SHEET
C	8-7-02	BH	NO CHANGE THIS SHEET
D	8-14-02	DRA	NO CHANGES THIS SHEET
E	9-9-02	BH	REMOVED COMPRESSED AIR
F	9-22-02	BAH	NO CHANGES TO THIS SHEET



CADDY AirSystems
 509 SHARPTOWN ROAD
 P.O. BOX 345 BRIDGEPORT NJ 08014
 Tel:(856) 467-4222 Fax:(856) 467-5511

EQUIPMENT SCHEDULE
 UTILITY DISTRIBUTION SYSTEM
 MODEL: CA-OD-E-026
 26'-0" LONG
 02/19/03 : " AS BUILT " DRAWING

CADDY NO. 05044 ITEM NO. C10
 JOB: MEMPHIS CITY SCHOOLS
 CENTRAL NUTRITION CENTER
 LOC: MEMPHIS, TN.
 CUST:
 CUST#:

DATE	01/31/02	SCALE	AS NOTED	SHT	10
DR BY	DRA	APP'D BY		OF	12

DWG# D-1-05044

CONNECTION LEGEND			
E=ELECTRICAL	G=GAS	SS=SUPERSWIVEL	CF=CIMFAST
S=STEAM SUPPLY	R=STEAM RETURN	DS=DOUBLE SUPERSWIVEL	GF=GROUND FAULT
H=HOT WATER	C=COLD WATER	QD=QUICK DISCONNECT	HC=HARD CONN.

SCHEDULE OF UTILITY CONNECTIONS

CONN. NO.	ITEM NO.	EQUIPMENT DESCRIPTION	ELECTRICAL						GAS			STEAM			COMPRESSED AIR @ 100 P.S.I.		CONNECTIONS			INSTALL BUSBARS	CONDUIT RESTRAINT DEVICE	
			KW	AMPS	VOLTS	Ø	BREAKER AMPS	NEMA NO.	OUTLET NO.	BTU'S PER HOUR	IPS	TRANSITION SIZE	LBS PER HOUR AT 40 PSI	SUPPLY IPS	RETURN IPS	TRANSITION SIZE	1/4"	3/8"	CONNECTION TYPE			CONN. LENGTH
1E	F-27	CAKE/MUFFIN DEPOSITOR	1.0	10	120	1	15	5-15R	5261									CORD & PLUG	VERIFY			
2E	F-27	CAKE/MUFFIN DEPOSITOR	1.0	10	120	1	15	5-15R	5261									CORD & PLUG	VERIFY			
3E	-	FUTURE EQUIPMENT 120/60/1	2.0	15	120	1	20	5-20R	5361									CORD & PLUG	VERIFY			
4E	-	FUTURE EQUIPMENT 208/60/1	3.0	15	208	1	20	6-20R	5461									CORD & PLUG	VERIFY			
5E	-	FUTURE EQUIPMENT 120/60/1	2.0	15	120	1	20	5-20R	5361									CORD & PLUG	VERIFY			
6E	-	FUTURE EQUIPMENT 208/60/1	3.0	15	208	1	20	6-20R	5461									CORD & PLUG	VERIFY			
7E	-	FUTURE EQUIPMENT 120/60/1	2.0	15	120	1	20	5-20R	5361									CORD & PLUG	VERIFY			
8E	-	FUTURE EQUIPMENT 208/60/1	3.0	15	208	1	20	6-20R	5461									CORD & PLUG	VERIFY			
9E	-	FUTURE EQUIPMENT 120/60/1	2.0	15	120	1	20	5-20R	5361									CORD & PLUG	VERIFY			
10E	-	FUTURE EQUIPMENT 208/60/1	3.0	15	208	1	20	6-20R	5461									CORD & PLUG	VERIFY			
11E	-	FUTURE EQUIPMENT 120/60/1	2.0	15	120	1	20	5-20R	5361									CORD & PLUG	VERIFY			
12E	-	FUTURE EQUIPMENT 208/60/1	3.0	15	208	1	20	6-20R	5461									CORD & PLUG	VERIFY			

PLEASE VERIFY REQUIRED COMPRESSED AIR & ELECTRICAL CONNECTION LENGTHS

NOTE: MAIN CIRCUIT BREAKER FURNISHED AND INSTALLED BY E.C.

NOTE: PLEASE SPECIFY MAKE, MODEL NUMBER, ELECTRICAL AND PLUMBING CHARACTERISTICS OF ALL ITEMS PLUGGING INTO RACEWAY.

**ALL UTILITIES
DOWN FROM ABOVE
[] VERIFY**

ELECTRICAL CONTRACT REQUIREMENTS

- INSPECT FOR LOOSE CONNECTIONS (CAUSED BY SHIPPING) AND TIGHTEN AS REQUIRED.
- PROVIDE AND INSTALL MAIN SERVICE FEEDER AND OVERCURRENT PROTECTION DEVICES RATED AT A CONTINUOUS OPERATING LOAD FOR EACH ELECTRICAL ROUGHING. SIZES INDICATED HAVE BEEN CALCULATED AT 125% OF THEIR CONTINUOUS LOAD. THIS ALLOWS FOR DERATING PER N.E.C.
- INSTALL ELECTRICAL SERVICE FROM STUB-IN LOCATION (SEE SHEET 1) TO CADDY TERMINALS. PROVIDE CONDUIT AND WIRING.
- PROVIDE AND INSTALL 120V 1PH FIRE-FUEL SHUT-OFF CIRCUIT IN 1/2" CONDUIT FROM FIRE EXTINGUISHING SYSTEM IN BUILDING TO RED TERMINAL BLOCK IN CADDY UTILITY DISTRIBUTION SYSTEM. CIRCUIT POWER AND BREAKER SUPPLIED BY OTHERS EXTERNAL OF RACEWAY.

PLUMBING CONTRACT REQUIREMENTS

- PROVIDE AND INSTALL SERVICE SUPPLY PIPES FROM STUB-IN LOCATION TO PIPES IN CADDY ENERGY DISTRIBUTION SYSTEM FOR EACH PLUMBING ROUGHING.
- INSTALL CADDY HOSE ASSEMBLIES FROM CADDY ENERGY DISTRIBUTION SYSTEM TO APPROPRIATE PIECES OF EQUIPMENT PER THIS SUBMISSION DRAWING. PROVIDE AND INSTALL NECESSARY PLUMBING FITTINGS TO PRESENT A NEAT APPEARANCE AND TO INSURE THAT CADDY HOSE ASSEMBLIES DO NOT TOUCH THE FLOOR.
- TEST INTERNAL PIPING SYSTEM FOR LEAKS (CAUSED BY SHIPPING) AND TIGHTEN AS REQUIRED.
- PROVIDE AND INSTALL PRESSURE REGULATORS FOR APPROPRIATE EQUIPMENT, IF NECESSARY.

INSTALLATION NOTES:

GENERAL CONDITIONS:

- ALL U.D.S. ELECTRIC AND PLUMBING WORK COMPLIES WITH THE FOLLOWING CODES: UNDERWRITERS LABORATORY STANDARDS, NATIONAL ELECTRICAL CODE, NATIONAL FIRE PROTECTION ASSOCIATION (NFPA), NO. 54, AND NO. 96, AMERICAN GAS ASSOCIATION, AND OCCUPATIONAL SAFETY AND HEALTH ADMINISTRATION.
- ANY VARIANCES WITH CODES LISTED ABOVE MUST BE MADE KNOWN TO U.D.S. MANUFACTURER PRIOR TO FABRICATION.
- SIZE OF BUS-BARS ON TOTAL CONNECTED LOAD AS SHOWN IN SCHEDULE, U.D.S. MANUFACTURER MUST BE NOTIFIED, PRIOR TO FABRICATION, IF ADDITIONAL LOADS ARE REQUIRED; IT WILL BE THE OPTION OF THE U.D.S. MANUFACTURER TO ACCEPT OR REJECT THE CHANGES.
- U.D.S. MANUFACTURER WILL VOID ALL GUARANTEES, AND WILL NOT BE HELD RESPONSIBLE FOR CONTINUED SAFE ELECTRICAL OPERATION, IF FOOD SERVICE EQUIP. CONTRACTOR ADDS ELECTRICAL ASSEMBLIES EXCEEDING BUS-BAR CAPACITY, AFTER UTILITY DISTRIBUTION SYSTEM HAS LEFT THE FACTORY.
- UTILITY DISTRIBUTION MANUFACTURER IS ONLY RESPONSIBLE FOR WIRING AND PLUMBING FURNISHED AS PART OF THE UTILITY DISTRIBUTION SYSTEM, ANY ADDITIONAL WIRING AND PLUMBING AT THE INSTALLATION SITE IS THE RESPONSIBILITY OF THE FOOD SERVICE EQUIP. CONTRACTOR.
- THE UTILITY DISTRIBUTION SYSTEMS EXTERNAL ENCLOSURE SHALL BE FABRICATED FROM NO. 16 GAUGE, NO.304 STAINLESS STEEL HAVING A NO. 4 FINISH UNLESS OTHERWISE SPECIFIED.
- GROUND FAULT INTERRUPTION FOR PERSONNEL PROTECTION TO BE PROVIDED FOR SINGLE AND TWO POLE BREAKERS 120/208-1 PHASE UP TO 30 AMPS. BY U.D.S. MANUFACTURER.
- PLUMBING TRANSITIONS FROM U.D.S. MANUFACTURER SUPPLIED GAS HOSES TO F.S.E.C. VERIFIED EQUIPMENT SHALL BY INSTALLED ON HOSES AT TIME OF FABRICATION.

FOOD SERVICE EQUIP. CONTRACTOR:

- VERIFY MAKE MODEL AND UTILITY REQUIREMENTS FOR ALL EQUIPMENT LISTED ON SCHEDULE, ALSO SUBMIT CUT SHEETS.
- INDICATE FIELD JOINT LOCATION(S), IF REQUIRED, TO ACCOMMODATE FOR BUILDING ENTRANCE, AND INSTALLATION AREA.
- VERIFY ALL ROUGH-IN REQUIREMENTS OF UTILITY DISTRIBUTION SYSTEM.
- INDICATE ELECTRICAL REQUIREMENTS FOR VENTILATOR EXHAUST AND SUPPLY BLOWER(S).
- ALL U.D.S. MANUFACTURERS DRAWINGS MUST BE SUBMITTED TO LOCAL ELECTRICAL AND PLUMBING AGENCIES FOR APPROVAL PRIOR TO FABRICATION.
- THE DIMENSIONS SHOWN, UNLESS CORRECTED, SHALL BE DEEMED CORRECT UPON RECEIPT OF APPROVAL DRAWING(S).
- ASSEMBLE AND SET UTILITY DISTRIBUTION SYSTEM.
- REMOVE AND REPLACE ALL ACCESS PANELS AND ENCLOSURES SO FIELD SPLICES AND CONNECTIONS CAN BE MADE BY OTHER TRADES.
- CONNECT GAS OPERATED FOOD SERVICE EQUIPMENT WITH EQUIPMENT RETRAINING DEVICES AS PROVIDED WITH THE UTILITY DISTRIBUTION SYSTEM AND ADJUST HOSE LENGTH SO RETAINERS OPERATE EFFECTIVELY.

ELECTRICAL CONTRACTOR:

- INSTALL ELECTRICAL SERVICE TO U.D.S. TERMINAL BLOCKS OR CONNECTING LUGS AS INDICATED ON OUR DRAWINGS.
- CONNECT ALL ELECTRICAL FIELD JOINTS (WHICH INCLUDE RECONNECTING QUICK DISCONNECT SNAP PLUG-IN CONNECTORS FOR CONTROL WIRING AND BOLT IN BUS-BAR SPLICES SUPPLIED WITH THE U.D.S. WHEN APPLICABLE).
- CONNECT FROM FIRE EXTINGUISHING SYSTEMS MICRO-SWITCH OR RELAY TO U.D.S. TERMINAL STRIP.
- RECONNECT MAIN FEED WIRE SEALTIGHT AND ENCLOSED WIRES FROM MAIN CIRCUIT BREAKER TO RACEWAY BUS-BAR FOLLOWING WIRING COLOR CODE.
- CONNECT ALL ELECTRICAL ASSEMBLIES TO FOOD SERVICE EQUIPMENT JUNCTION BOXES, AND TO UTILITY DISTRIBUTION SYSTEM.
- INSPECT FOR, AND TIGHTEN ANY LOOSE CONNECTIONS CAUSED BY SHIPPING.
- CONNECT LOAD SIDE OF OPTIONAL MAGNETIC STARTER(S) IN VERTICAL CHASE TO EXHAUST AND SUPPLY FAN MOTOR(S).
- CONNECT VENTILATOR LIGHT SWITCH(ES) IN VERTICAL CHASE TO JUNCTION BOX(ES) ON VENTILATOR.
- PROVIDE FIELD SERVICE ENTRANCE KNOCKOUTS AS REQUIRED.
- PROVIDE PROPER SERVICE FEEDS AND NECESSARY OVER CURRENT PROTECTION DEVICES IN ACCORDANCE WITH APPLICABLE CODES.
- ALL CORDS WITH PLUGS ARE LIMITED BY CODES IN MOST AREAS TO 6'-0" MAXIMUM IN LENGTH. WHERE THIS IS EXCEEDED THE ELECTRICIAN MUST EXTEND THE FEEDS TO ACCOMMODATE THIS CONDITION.

PLUMBING CONTRACTOR:

- INSTALL U.D.S. FLEXIBLE DRAIN LINE(S) FROM VENTILATOR TO FLOOR FUNNEL TYPE DRAIN(S).
- CONNECT ALL INCOMING SERVICE PIPING TO VERTICAL CHASE AS SHOWN ON U.D.S. MANUFACTURERS DRAWINGS.
- CONNECT ALL PLUMBING FIELD JOINTS IN UTILITY DISTRIBUTION SYSTEM.
- CONNECT ALL FLEXIBLE HOSE ASSEMBLIES TO FOOD SERVICE EQUIPMENT, AND TO UTILITY DISTRIBUTION SYSTEM.
- INSPECT FOR, AND TIGHTEN ANY LOOSE PLUMBING CONNECTIONS CAUSED BY SHIPPING.
- PROVIDE ALL NECESSARY FITTINGS AND REDUCERS REQUIRED TO OPERATE EQUIPMENT SERVICED BY UTILITY DISTRIBUTION SYSTEM.
- ALL HOSES ARE LIMITED BY CODE IN MOST AREAS TO 6'-0" MAXIMUM LENGTH. WHERE THIS IS EXCEEDED THE PLUMBER MUST EXTEND THE FEEDS TO ACCOMMODATE THIS CONDITION.
- PLUMBING MATERIAL REQUIRED TO CONNECT FROM THE COOKING EQUIPMENT TO THE U.D.S. HOSES SHALL BE FURNISHED AND INSTALLED BY THE PLUMBING CONTRACTOR. THE U.D.S. MANUFACTURER IS NOT RESPONSIBLE FOR THIS EXPENSE.
- PRESSURE CHECK ALL PLUMBING LINES AFTER ALL OF THE U.D.S. FIELD JOINTS HAVE BEEN MADE UP. THE U.D.S. MANUFACTURER IS NOT RESPONSIBLE FOR THIS CHECK OUT OR ANY INCURRED EXPENSES.
- CONNECT ALL PLUMBING TRANSITIONS ON U.D.S. MANUFACTURER SUPPLIED HOSES TO F.S.E.C. VERIFIED EQUIPMENT.



EQUIPMENT NOTES:

- 120/208 3 PHASE POWER MUST BE THE WYE STYLE CONFIGURATION (DELTA CONFIGURATION WOULD NOT APPLY).
- MAIN BREAKER INSIDE U.D.S. IS TO HAVE A SHUNT TRIP OPTION.
- ALL WIRING TO BE THHN.

REVISIONS			
REV	DATE	BY	REMARKS
A	5-9-02	DAT	NO CHANGES THIS SHEET
B	6-26-02	DAT	NO CHANGES THIS SHEET
C	8-7-02	BH	NO CHANGES THIS SHEET
D	8-14-02	DRA	NO CHANGES THIS SHEET
E	9-9-02	BH	REMOVED COMPRESSED AIR
F	9-22-02	BAH	NO CHANGES TO THIS SHEET.

CADDY AirSystems
509 SHARPTOWN ROAD
P.O. BOX 345 BRIDGEPORT NJ 08014
Tel:(856) 467-4222 Fax:(856) 467-5511

EQUIPMENT SCHEDULE

UTILITY DISTRIBUTION SYSTEM
MODEL: CA-OD-E-036
36'-0" LONG

CADDY NO. 05044 ITEM NO. F29

JOB: MEMPHIS CITY SCHOOLS
CENTRAL NUTRITION CENTER
LOC: MEMPHIS, TN.
CUST:
CUST#:

DATE	01/31/02	SCALE	AS NOTED
DR BY	DRA	APP'D BY	

DWG# D-1-05044 SHT 12 OF 12

GENERAL CONTRACT CONDITIONS
ELECTRICAL WORK DONE BY CADDY CORPORATION IS EXECUTED IN COMPLIANCE WITH STANDARDS PUBLISHED BY THE UNDERWRITER'S LABORATORIES, INC. INSOFAR AS APPLICABLE, AND THE LATEST EDITION OF THE NATIONAL ELECTRICAL CODE (NEC). CADDY CORPORATION DOES NOT ACCEPT ANY RESPONSIBILITY FOR THE REQUIREMENTS OF ANY REGIONAL AND/OR LOCAL CODES THAT ADD OR DEVIATED FROM THE ACCEPTED STANDARDS OF THE ABOVE AGENCIES. ANY FIELD WORK RELATING TO THE MODIFICATION OF ELECTRIC OR PLUMBING SYSTEMS, TO MEET REGIONAL OR LOCAL CODE REQUIREMENTS IS TO BE DONE BY OTHERS AND WITHOUT BACK CHARGES TO CADDY CORPORATION, UNLESS THESE CONDITIONS WERE PREVIOUSLY BROUGHT TO OUR ATTENTION AND ARE EXPRESSLY INCLUDED IN OUR WRITTEN QUOTATION.
ALL WIRING AND PLUMBING AT THE JOB SITE IS THE RESPONSIBILITY OF OTHERS. EQUIPMENT WILL BE CONSTRUCTED IN ACCORDANCE WITH OUR DRAWING(S) WHICH MUST BE APPROVED PRIOR TO FABRICATION. ANY SUBSEQUENT CHANGES REQUIRED MUST BE SUBMITTED TO US IN WRITING AND ACKNOWLEDGED ON OUR STANDARD FORM.