



CADDY CORPORATION

Food Service Equipment

Air Systems

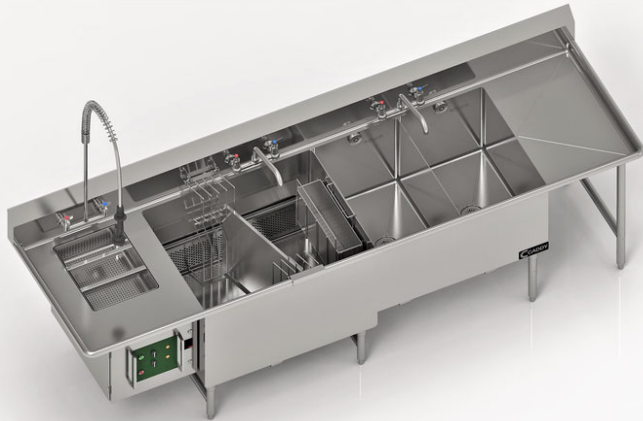
HydroWave
Jet Powered
Soak Sink

HydroWave

PROJECT:

Jet powered soak sink

LOCATION:

**1. Frame & Structure**

- System custom configurable as per plans & specifications. (L or U-shaped designs available upon request).
- 14-gauge stainless steel type 304 with #4 construction for tanks and drain boards.
- Pre-configured lengths from 96" to 120" in 6" increments, 34" front to back depth.
- 9-1/2" high x 2-1/2" wide backsplash.

2. Sink

- 2 or 3 HP wash pump motors with stainless steel impeller, pump housing and wash manifold.
- Stainless steel wash pump housing fully self-draining without the use of a separate drain line.
- Stainless steel wash pump intake to run the full length of the rear of the wash tank below wash jets.
- 2kw - 7kw wash tank heater maintains wash tank temperature at 115° +/- 0.5°F
- Inherent motor overload protection.
- Dual liquid high and low water level sensors.
- 1-1/2" Ø drains, pre-rinse sprayer, and faucets included.
- Sink front trim panel.

3. Understructure

- 1-5/8" Ø stainless steel tubular support legs and cross braces, fully welded.
- Stainless steel bullet feet.

4. Controls

- 24V low voltage control circuit to include the following:
 - Disconnect breaker on control panel.
 - Auto wash tank water temperature control.
 - Timed wash cycle and wash tank heat.
 - 4-hour wash timer with reset.
 - Auto shut-off protection for higher water, heater temperature, and low water level.

5. Warranty

- 1-year parts and labor warranty.

Options

- 480/60Hz/3 Phase electrical connection.
- Autofill (3/4"Ø hot water connection.)
- Table mounted over and undershelf.
- Sheet pan racking system.
- Utensil basket.

Installation Requirements

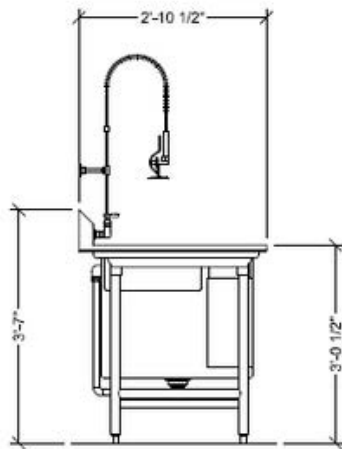
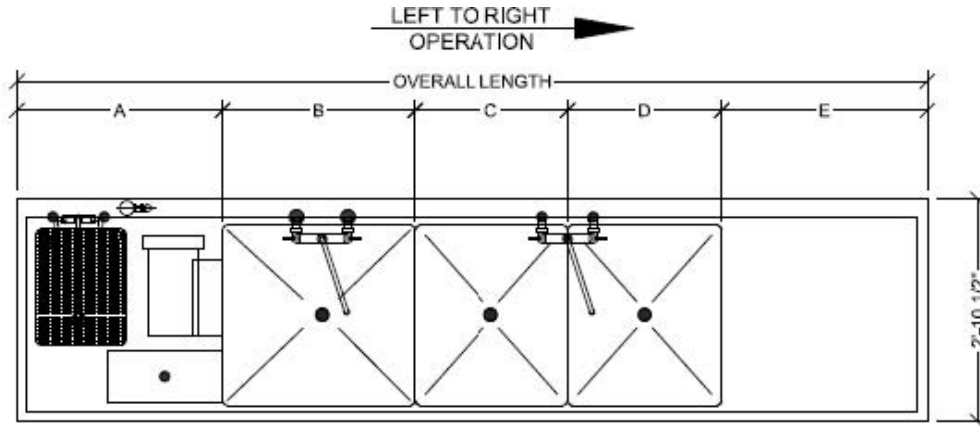
- Single point 208-240V/60Hz/3Phase electrical connection (pre-wired by factory).
 - 3/4" Ø Hot and cold water connections.
 - 1-1/2" Ø Drain connections.

**CADDY CORPORATION**

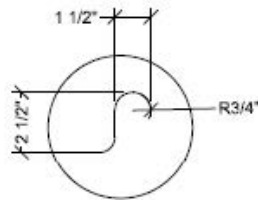
509 Sharptown Road
Bridgeport, NJ 08014-0345
Tel: 856-467-4222
Fax: 856-467-5511
www.caddycorp.com

HydroWave

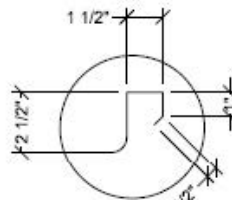
Jet powered soak sink



TYPICAL SECTION VIEW

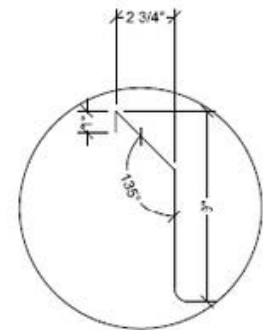


ROLLED EDGE

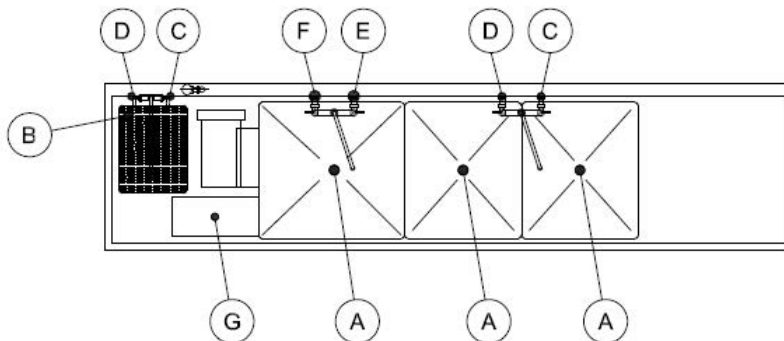


BOXED EDGE

EDGE DETAILS



BACKSPASH DETAILS



ROUGH-IN SCHEDULE

SYM	DESCRIPTION
A	1 1/2" LEVER DRAIN 12" A.F.F.
B	1 1/2" DRAIN 12" A.F.F.
C	1/2" HOT WATER SUPPLY 6" A.F.F.
D	1/2" COLD WATER SUPPLY 6" A.F.F.
E	3/4" HOT WATER SUPPLY 6" A.F.F.
F	3/4" COLD WATER SUPPLY 6" A.F.F.
G	ELECTRIC POWER (DEPENDS ON THE SIZE OF THE WASH SINK) 24" A.F.F.

HydroWave

Jet powered soak sink

Construction

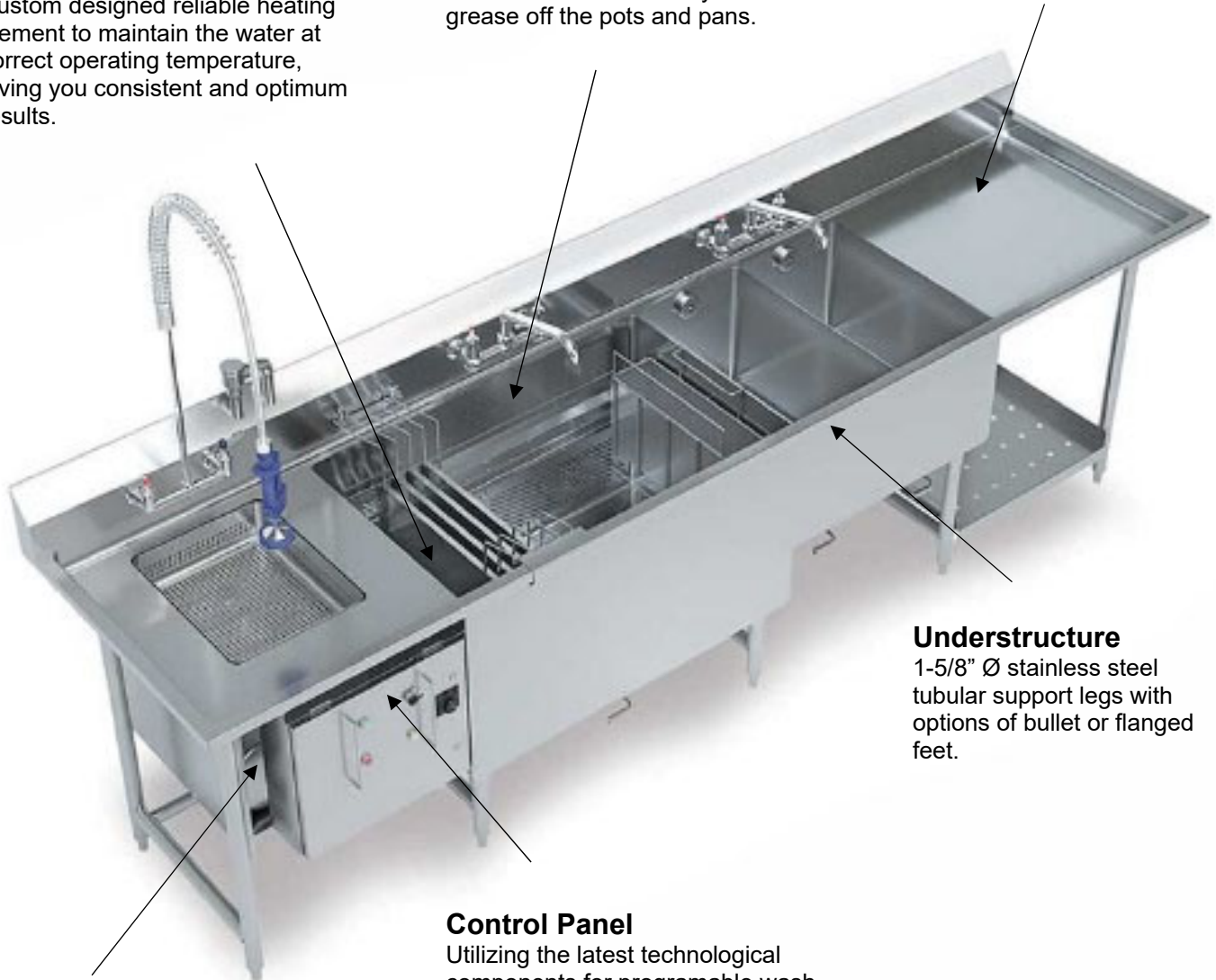
Superior quality heavy duty construction. PowerWash table-top and sinks are fabricated with heavy duty 14 GA stainless steel. All sinks are fully welded with 3/4" radius corners. Understructure is 1-5/8"Ø stainless steel tubular support legs & cross braces, fully welded.

Heater

Custom designed reliable heating element to maintain the water at correct operating temperature, giving you consistent and optimum results.

Wash Jets

The wash jets are strategically located in the back of the sink 6" apart to provide maximum water flow to remove the heavy soil and grease off the pots and pans.



Understructure

1-5/8" Ø stainless steel tubular support legs with options of bullet or flanged feet.

Control Panel

Utilizing the latest technological components for programmable wash features. Putting the controls in your hands – wash run times, can be adjusted in the field to suit your specific kitchens needs.

Pump Motor

Powered by an energy efficient pump motor, with stainless steel impeller and self-draining. Creating a powerful whirling effect to meet your most demanding applications.



CADDY CORPORATION

509 Sharptown Road
Bridgeport, NJ 08014-0345

Tel: 856-467-4222

Fax: 856-467-5511

www.caddycorp.com

Configurator Sheet



Project Name: _____

City: _____ Unit Overall Length: _____

State: _____ Length Of Largest Piece: _____

Power

- 208V/30/60Hz, 20Amps
- 480V/30/60Hz, 15 Amps

Dishwasher Connection

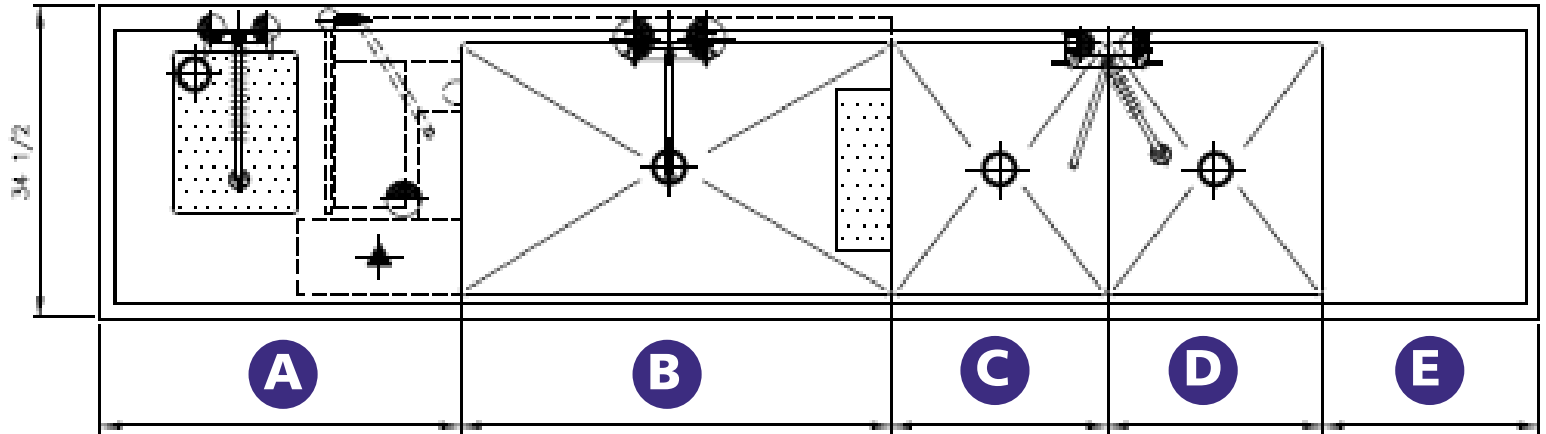
- DOOR-TYPE
- RACK CONVEYOR

Add-ons

- OVER SHELF
- FLANGED FEET
- UNDER SHELF
- SHEET PAN RACKS

Direction

- L-R
- R-L



A SOILED END DRAIN BOARD

- 12" 14" 16"
- 18" 20" 22"
- 24" 30" 36"

OPTIONS:

- PRE-RINSE W/FAUCET
- PRE-RINSE FAUCET
- SCRAP SINK DISH RACK SCRAP SINK

DISPOSER:

MAKE: _____ MODEL: _____

WASTE COLLECTOR:

MAKE: _____ MODEL: _____

B WASH SINK

(WASH TANK SINK DEPTH IS 22")

(CHOOSE SHEET PAN CAPACITY

- 30" 4 8
- 36" 4 8 12
- 42" 4 8 12 16
- 48" 4 8 12 16
- 54" 4 8 12 16 20
- 60" 4 8 12 16 20 24
- 66" 4 8 12 16 20 24 28
- 72" 4 8 12 16 20 24 28

C RINSE SINK

- 15" 18" 20" 22"

- 24" 30" 36"

(RINSE SINK DEPTH IS 18")

D SANITIZE SINK

- 15" 24" 18"

- 20" 30" 36"

(SANITIZE SINK DEPTH IS 18")

- HATCO HEATER

E CLEAN END DRAIN BOARD

- 12" 36"
- 18" 42"
- 20" 48"
- 24" 54"
- 30" 60"