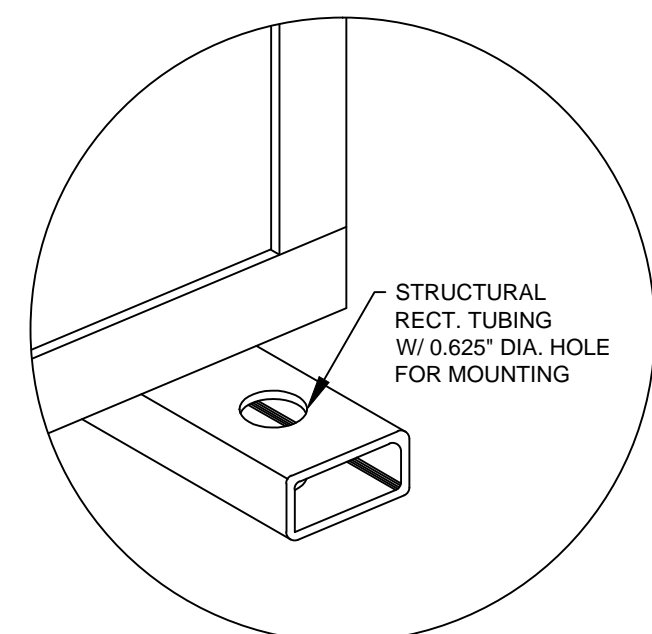
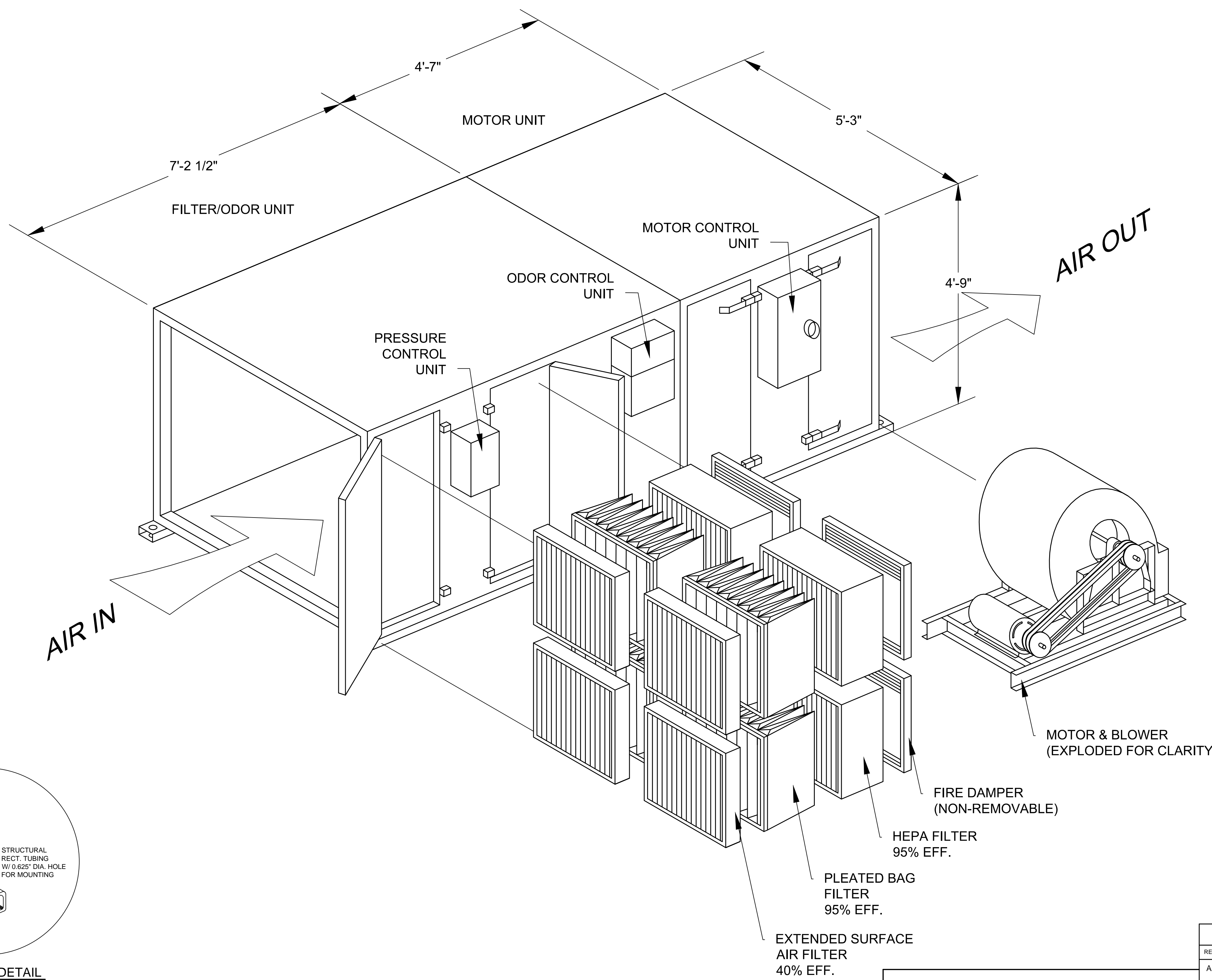


THE CADDY VENTILATOR TESTING, LISTING AND APPROVAL REFERENCES:

NATIONAL FIRE PROTECTION ASSOCIATION
 In accordance with Recommendation of National Fire Protection Association's NFPA No. 96 "Vapor Removal from Cooking Equipment"
 UNDERWRITERS LABORATORIES, INC
 Tested under standard U.L. 710 "Exhaust Hoods for Commercial Cooking Equipment". U.L. listed under file number MH27607.
 UNIFORM MECHANICAL CODE
 Section 507 - Commercial Kitchen Hoods and Kitchen Ventilation Systems
 THE BOCA NATIONAL MECHANICAL CODE
 Chapter 5 - Kitchen Exhaust Equipment
 STANDARD MECHANICAL CODE (SBCCI)
 Section 504 - Commercial Hoods
 UNIFORM BUILDING CODE (ICBO)



MOUNTING DETAIL
 SCALE: 3/4"=1'-0"

GENERAL CONTRACT CONDITIONS
 ELECTRICAL WORK DONE BY CADDY CORPORATION IS EXECUTED IN COMPLIANCE WITH STANDARDS PUBLISHED BY THE UNDERWRITER'S LABORATORIES, INC. INSOFAR AS APPLICABLE, AND THE LATEST EDITION OF THE NATIONAL ELECTRICAL CODE (NEC). CADDY CORPORATION DOES NOT ACCEPT ANY RESPONSIBILITY FOR THE REQUIREMENTS OF ANY REGIONAL AND/OR LOCAL CODES THAT ADD OR DEVIATED FROM THE ACCEPTED STANDARDS OF THE ABOVE AGENCIES. ANY FIELD WORK RELATING TO THE MODIFICATION OF ELECTRIC OR PLUMBING SYSTEMS, TO MEET REGIONAL OR LOCAL CODE REQUIREMENTS IS TO BE DONE BY OTHERS AND WITHOUT BACK CHARGES TO CADDY CORPORATION, UNLESS THESE CONDITIONS WERE PREVIOUSLY BROUGHT TO OUR ATTENTION AND ARE EXPRESSLY INCLUDED IN OUR WRITTEN QUOTATION. ALL WIRING AND PLUMBING AT THE JOB SITE IS THE RESPONSIBILITY OF OTHERS. EQUIPMENT WILL BE CONSTRUCTED IN ACCORDANCE WITH OUR DRAWING(S) WHICH MUST BE APPROVED PRIOR TO FABRICATION. ANY SUBSEQUENT CHANGES REQUIRED MUST BE SUBMITTED TO US IN WRITING AND ACKNOWLEDGED ON OUR STANDARD FORM.

DIMENSIONAL DATA	
LENGTH OF FILTER/ODOR UNIT	7'-2 1/2"
LENGTH OF MOTOR UNIT	4'-7"
WIDTH OF FILTER/ODOR UNIT	5'-3"
WIDTH OF MOTOR UNIT	5'-3"
HEIGHT OF FILTER/ODOR UNIT	4'-9"
HEIGHT OF MOTOR UNIT	4'-9"
"PURE-AIR" GREASE & ODOR REDUCTION SYSTEM 7750 CFM	

REVISIONS			
REV	DATE	BY	REMARKS
A	10-4-04	SWL	ADDED TESTING, LISTING, APPROVAL REFERENCES PER PHONE CONVERSATION W/ BILL GAMBLE
B	10-20-04	SWL	REVISED PER CONVERSATION WITH TOM CARTER ON 10-20-04
C	11-22-04	SWL	NO CHANGES TO THIS SHEET
D	4-1-05	SWL	NO CHANGES TO THIS SHEET

CADDY AirSystems
 509 SHARPTOWN ROAD
 P.O. BOX 345 BRIDGEPORT NJ 08014
 Tel: (856) 467-4222 Fax: (856) 467-5511

EQUIPMENT SCHEDULE

CAS-KEF-8000
 ISOMETRIC WITH ODOR

CADDY NO. 1610 ITEM NO. 1

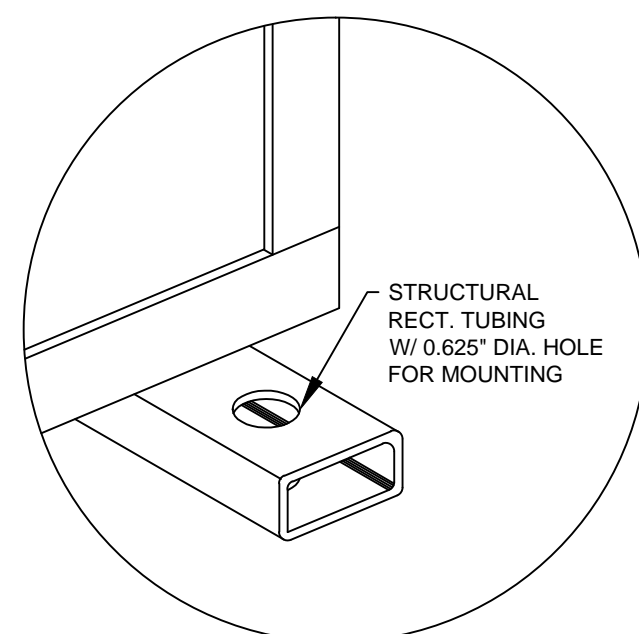
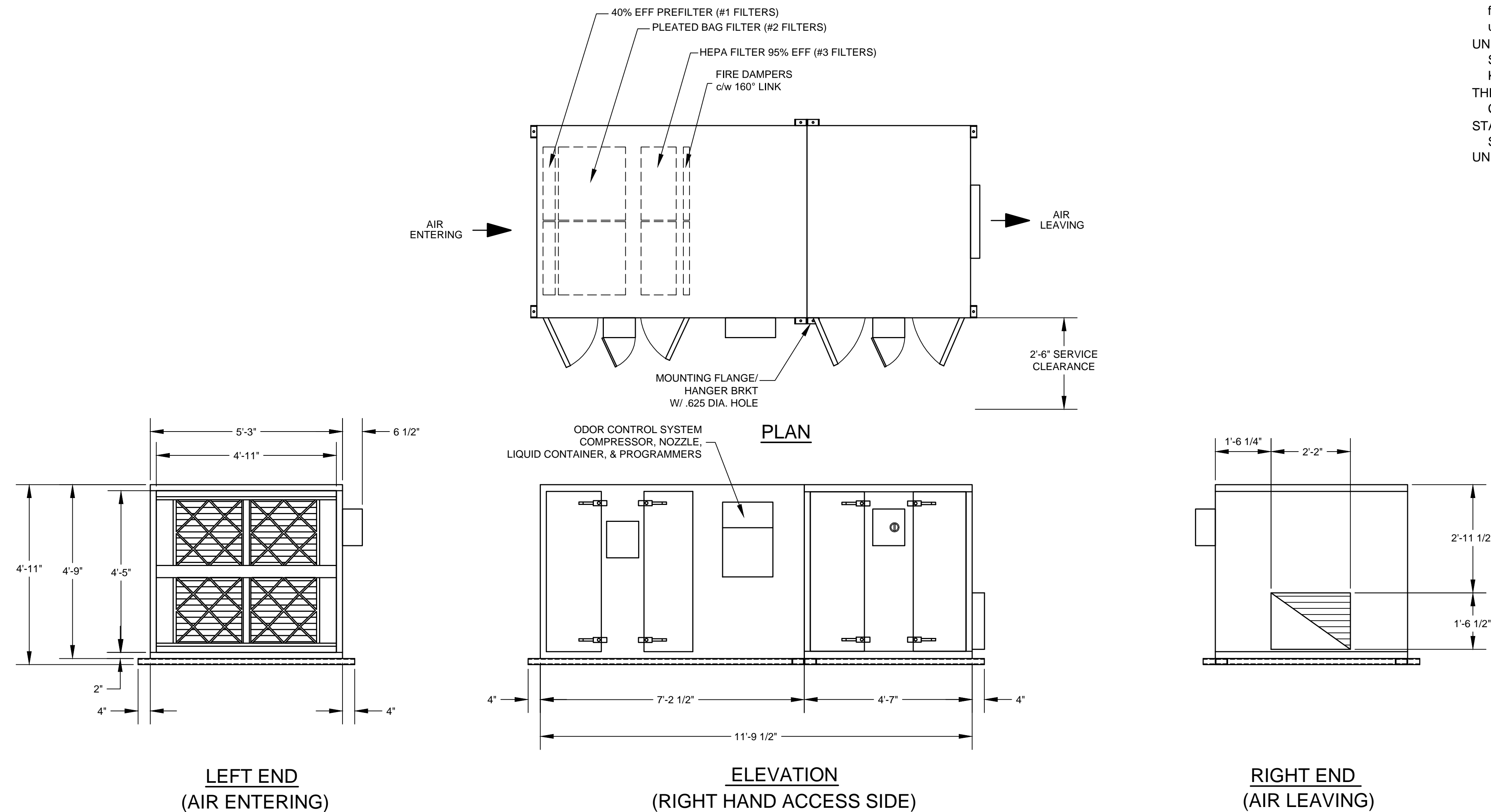
JOB: PLATE RESTAURANT
 LOC:
 CUST:
 CUST#:

DATE: 09/03/04 SCALE: AS NOTED
 DR BY: DRA APP'D BY: DWG# D-1-1610 SHT 1 OF 3



THE CADDY VENTILATOR TESTING, LISTING AND APPROVAL REFERENCES:

NATIONAL FIRE PROTECTION ASSOCIATION
 In accordance with Recommendation of National Fire Protection Association's NFPA No. 96 "Vapor Removal from Cooking Equipment"
 UNDERWRITERS LABORATORIES, INC
 Tested under standard U.L. 710 "Exhaust Hoods for Commercial Cooking Equipment". U.L. listed under file number MH27607.
 UNIFORM MECHANICAL CODE
 Section 507 - Commercial Kitchen Hoods and Kitchen Ventilation Systems
 THE BOCA NATIONAL MECHANICAL CODE
 Chapter 5 - Kitchen Exhaust Equipment
 STANDARD MECHANICAL CODE (SBCCI)
 Section 504 - Commercial Hoods
 UNIFORM BUILDING CODE (ICBO)



MOUNTING DETAIL
 SCALE: 3/4"=1'-0"

GENERAL CONTRACT CONDITIONS
 ELECTRICAL WORK DONE BY CADDY CORPORATION IS EXECUTED IN COMPLIANCE WITH STANDARDS PUBLISHED BY THE UNDERWRITER'S LABORATORIES, INC. IN SO FAR AS APPLICABLE, AND THE LATEST EDITION OF THE NATIONAL ELECTRICAL CODE (NEC). CADDY CORPORATION DOES NOT ACCEPT ANY RESPONSIBILITY FOR THE REQUIREMENTS OF ANY REGIONAL AND/OR LOCAL CODES THAT ADD OR DEVIATED FROM THE ACCEPTED STANDARDS OF THE ABOVE AGENCIES. ANY FIELD WORK RELATING TO THE MODIFICATION OF ELECTRIC OR PLUMBING SYSTEMS, TO MEET REGIONAL OR LOCAL CODE REQUIREMENTS IS TO BE DONE BY OTHERS AND WITHOUT BACK CHARGES TO CADDY CORPORATION, UNLESS THESE CONDITIONS WERE PREVIOUSLY BROUGHT TO OUR ATTENTION AND ARE EXPRESSLY INCLUDED IN OUR WRITTEN QUOTATION. ALL WIRING AND PLUMBING AT THE JOB SITE IS THE RESPONSIBILITY OF OTHERS. EQUIPMENT WILL BE CONSTRUCTED IN ACCORDANCE WITH OUR DRAWING(S) WHICH MUST BE APPROVED PRIOR TO FABRICATION. ANY SUBSEQUENT CHANGES REQUIRED MUST BE SUBMITTED TO US IN WRITING AND ACKNOWLEDGED ON OUR STANDARD FORM.

FILTER DATA- AT FULL LOAD CAPACITY						GENERAL DATA		MOTOR DATA	
FILTER NO.	TYPE	SIZE	CAPACITY	QTY.	S.P.(IN W.C.)	MAXIMUM AIR EXHAUST	8,000 C.F.M.	HORSEPOWER	20 HP
1	40% PRE-FILTER	24" X 12" X 4"	1,000 CFM	0		DESIGN AIR EXHAUST	7750	POWER	12.5 BHP
		24" X 24" X 4"	2,000 CFM	4		TOTAL STATIC PRESSURE		FULL LOAD AMPS	46.2
2	PLEATED BAG FILTER	24" X 12" X 22"	1,000 CFM	0		EXTERNAL STATIC PRESSURE	2.25" W.C.	MOTOR RPM	2448
		24" X 24" X 22"	2,000 CFM	4		PANEL ACCESS	LEFT	VOLTAGE	208/3/60
3	95% HEPA FILTER	24" X 12" X 11.5"	1,000 CFM	0		FILTER SECTION WEIGHT	1,879 LBS.	PHASE	3
		24" X 24" X 11.5"	2,000 CFM	4		MOTOR SECTION WEIGHT	1,820 LBS.	INDOOR/ OUTDOOR	INDOOR
ODOR CONTROL SECTION - 22L LIQUID MEDIA						MOUNTING	CEILING		

REVISIONS			
REV	DATE	BY	REMARKS
A	10-4-04	SWL	ADDED TESTING, LISTING, AND APPROVAL REFERENCES PER PHONE CONVERSATION W/ BILL GAMBLE
B	10-20-04	SWL	REVISED PER CONVERSATION WITH TOM CARTER ON 10-20-04
C	11-22-04	SWL	NO CHANGES TO THIS SHEET
D	4-1-05	SWL	NO CHANGES TO THIS SHEET

CADDY AirSystems
 509 SHARPTOWN ROAD
 P.O. BOX 345 BRIDGEPORT NJ 08014
 Tel:(856) 467-4222 Fax:(856) 467-5511

EQUIPMENT SCHEDULE

CAS-KEF-8000
 GENERAL LAYOUT WITH ODOR

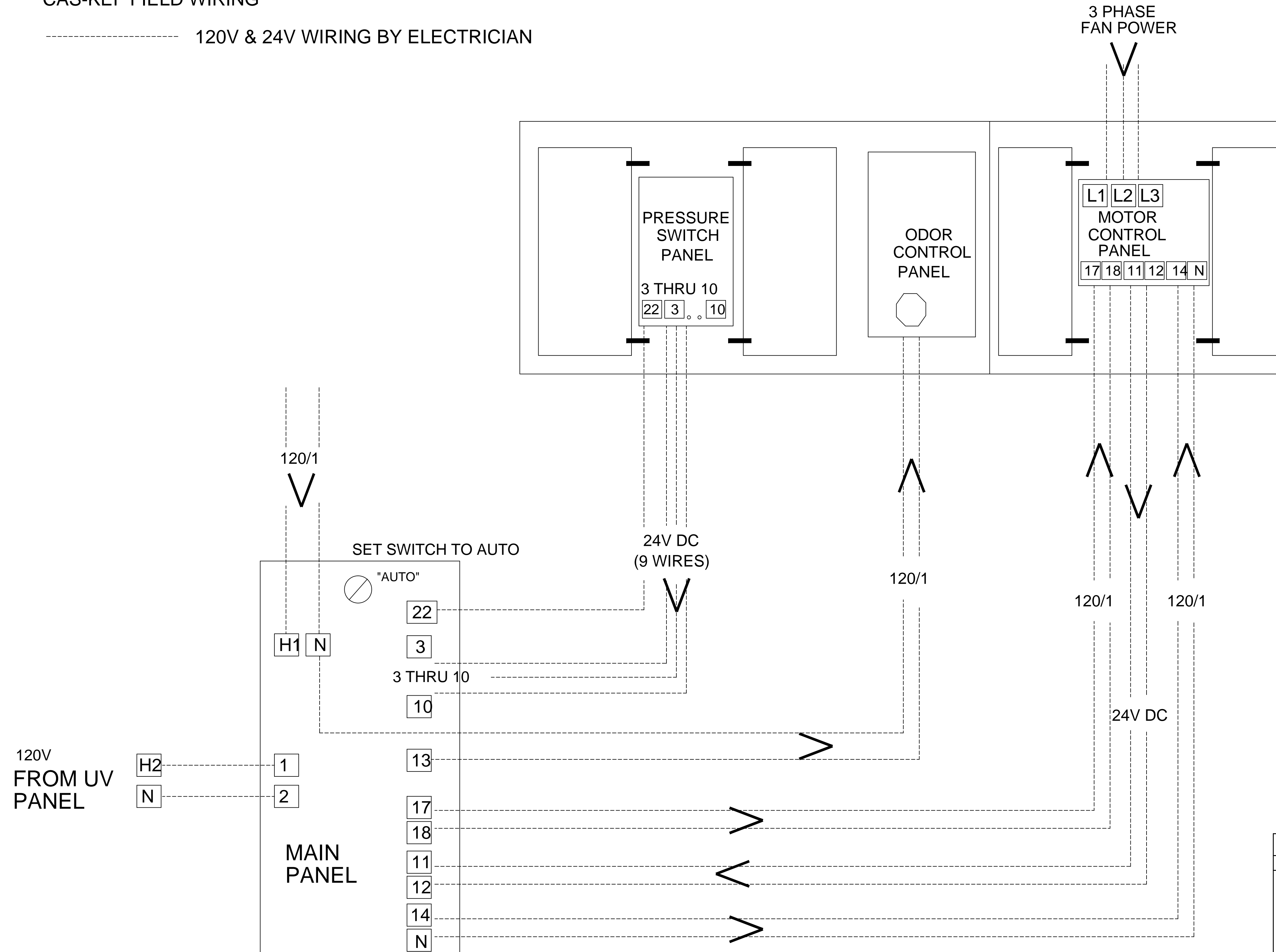
CADDY NO. 1610 ITEM NO. 1

JOB: PLATE RESTAURANT
 LOC:
 CUST:
 CUST#:

DATE: 09/03/04 SCALE: AS NOTED
 DR BY: DRA APPD BY: DWG# D-1-1610 SHT 2 OF 3

CAS-KEF FIELD WIRING

----- 120V & 24V WIRING BY ELECTRICIAN



REVISIONS			
REV	DATE	BY	REMARKS
B	11-02-04	SWL	UPDATED CAS-KEF-8000 FIELD WIRING DIAGRAM
C	11-22-04	SWL	UPDATED CAS-KEF-8000 FIELD WIRING DIAGRAM
D	4-1-05	SWL	UPDATED WIRING DIAGRAM

CADDY AirSystems
 509 SHARPTOWN ROAD
 P.O. BOX 345 BRIDGEPORT NJ 08014
 Tel:(856) 467-4222 Fax:(856) 467-5511

EQUIPMENT SCHEDULE

CAS-KEF-8000
 FIELD WIRING

CADDY NO. 1610 ITEM NO. 1

JOB: PLATE RESTAURANT
 LOC:
 CUST:
 CUST#:

08/161